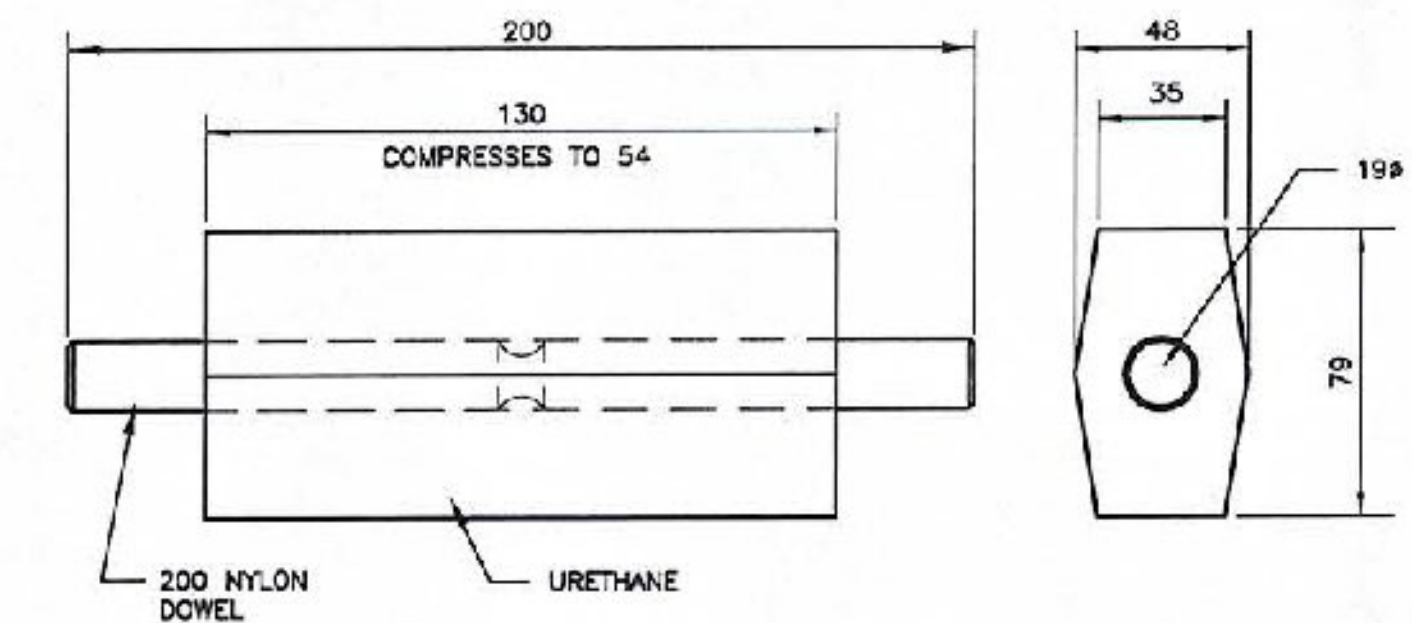
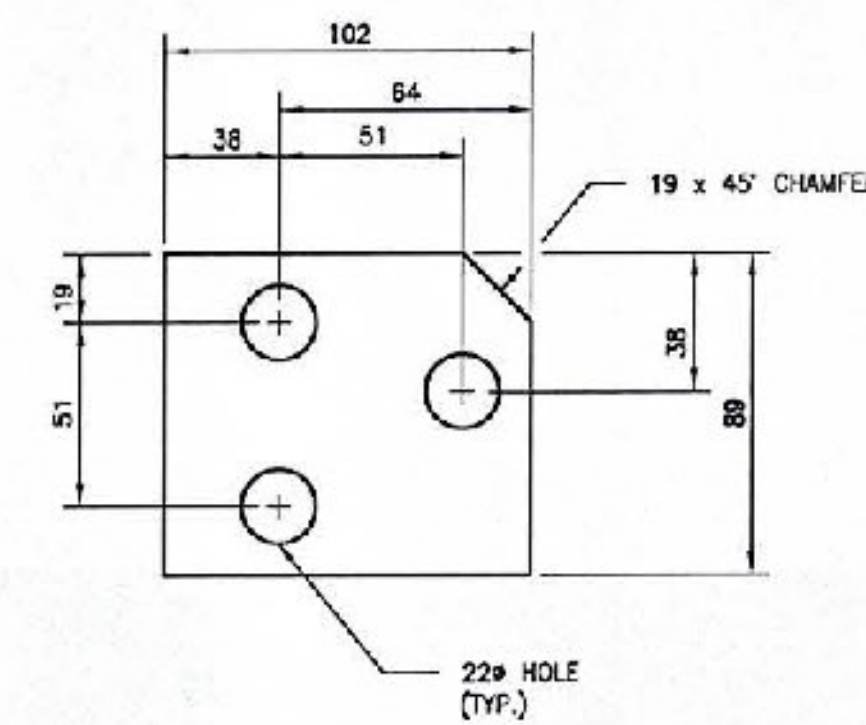


SUPPORT BOX PLAN VIEW

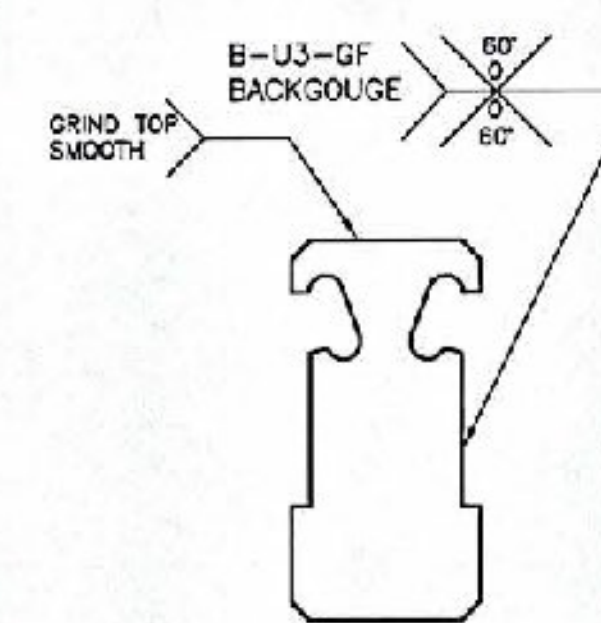
SUPPORT BOX PLAN VIEW WITHOUT CONTROL SPRING



CONTROL SPRING



HOLDING PLATE
1/2 PLATE, A-36 STEEL



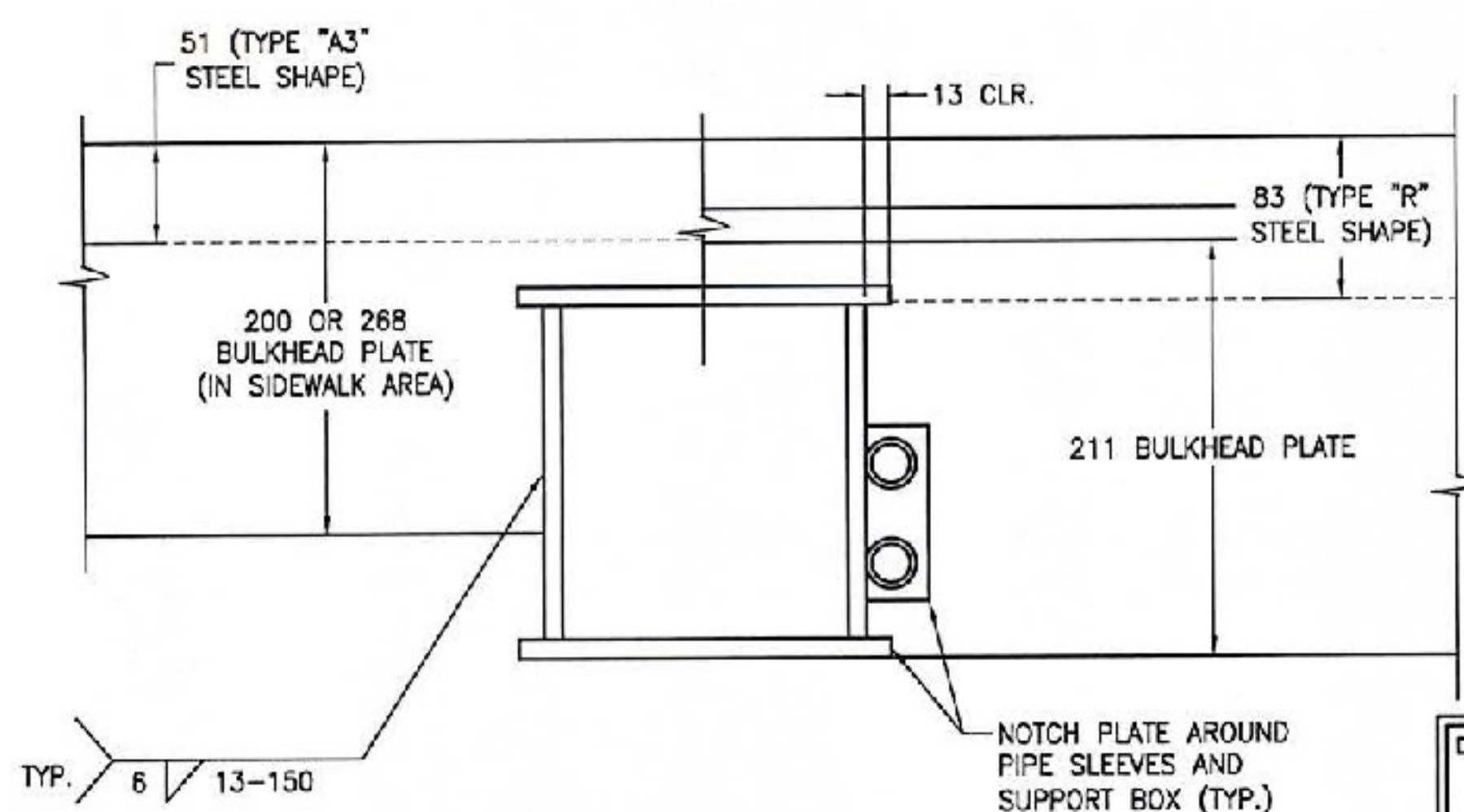
SHOP WELD DETAIL

TVGA CONSULTANTS

- NO EXCEPTIONS TAKEN
- REJECTED
- FURNISH AS CORRECTED
- REVISE AND RESUBMIT

ENGINEER has reviewed Shop Drawings and Samples and SHOP WELD DETAILS. Contractor is required to submit, only for conformance with the information given in the Contract Documents and compatibility with the design concept of the completed Project as a functioning whole as indicated in the Contract Documents. Such reviews do not extend to means, methods, techniques, sequences or procedures of construction or to safety precautions and programs incident thereto. Such reviews do not extend to any LEED certification or accreditation. Contractor is responsible for dimensions to be confirmed and correlated at the job site; for information that pertains solely to the fabrication processes or to techniques of construction; and for coordination of the work of all trades.

BY: *[Signature]*
 DATE: 6/27/10
 VERMONT AGENCY OF TRANSPORTATION
 COUNTY: BENNINGTON
 PROJECT NO.: AC NH 019-1(51)
 CAPITAL PROJECT ID NO.: -
 BRIDGE NO.: B15, B15N, B15S
 WBA PRODUCT DESCRIPTION: MODULAR
 WBA PRODUCT NO.: STM126770AA



SECTION THRU SUPPORT BOX

PRESTRESS DEVICE ASSEMBLY

- PRESTRESS DEVICES SHALL BE LOCATED AT EVERY SUPPORT BOX.
- PRESTRESS DEVICES SHALL BE SHOP INSTALLED ON SUPPORT BOX ASSEMBLY. REMOVE PRESTRESS DEVICES (LAG STUD AND ANGLE) WHEN JOINT IS SET. CONTRACTOR SHALL REMOVE BY CUTTING LAG STUD OR ANGLES IN THE FIELD WITH A TORCH OR SAW. CONTRACTOR SHALL LEAVE APPROXIMATELY A 25mm "STUB" OF ANGLE ATTACHED TO THE SUPPORT BOX.
- THIS IS A TEMPORARY DEVICE USED FOR ADJUSTMENT.

INSPECTION REQUIRED

DRAWING ACTION:
 SUBMITTED FOR APPROVAL
 1/20/10

NO.	DESCRIPTION	DATE

 Watson Bowman Acme Corp. 68 Flourey Drive Andover, NY 14208 Phone: (716) 931-2028 Fax: (716) 931-8239 www.wbcorp.com	 The Chemical Company	DETAILED BY: TPL DATE: 12/23/09
		CHECKED BY: TEB DATE: 1/7/10
PROJECT: WWII VETERAN'S MEMORIAL HIGHWAY VT ROUTE 279, PRINCIPAL ARTERIAL WBA MODULAR STM-600 EXPANSION JOINT DETAILS		SCALE: NTS SHEET NO.: 6 of 14 WBA JOB NO.: 126770 DRAWING NO.: B-27569