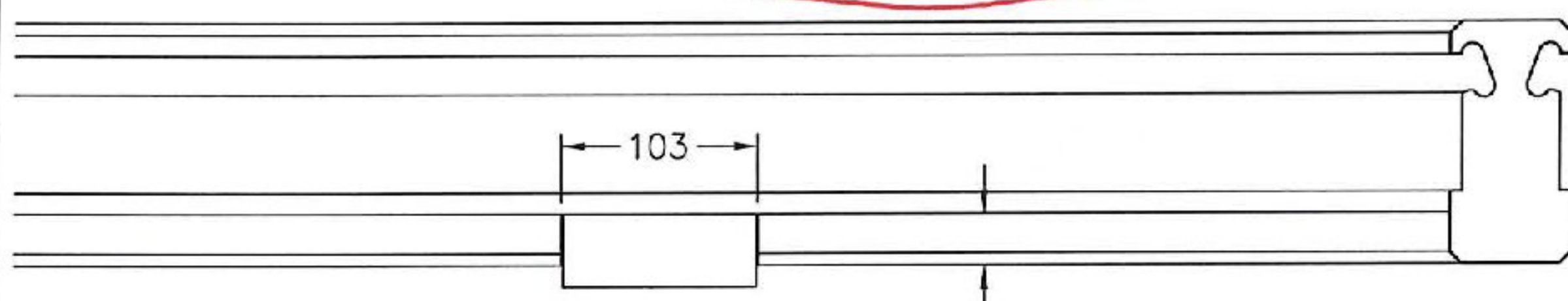


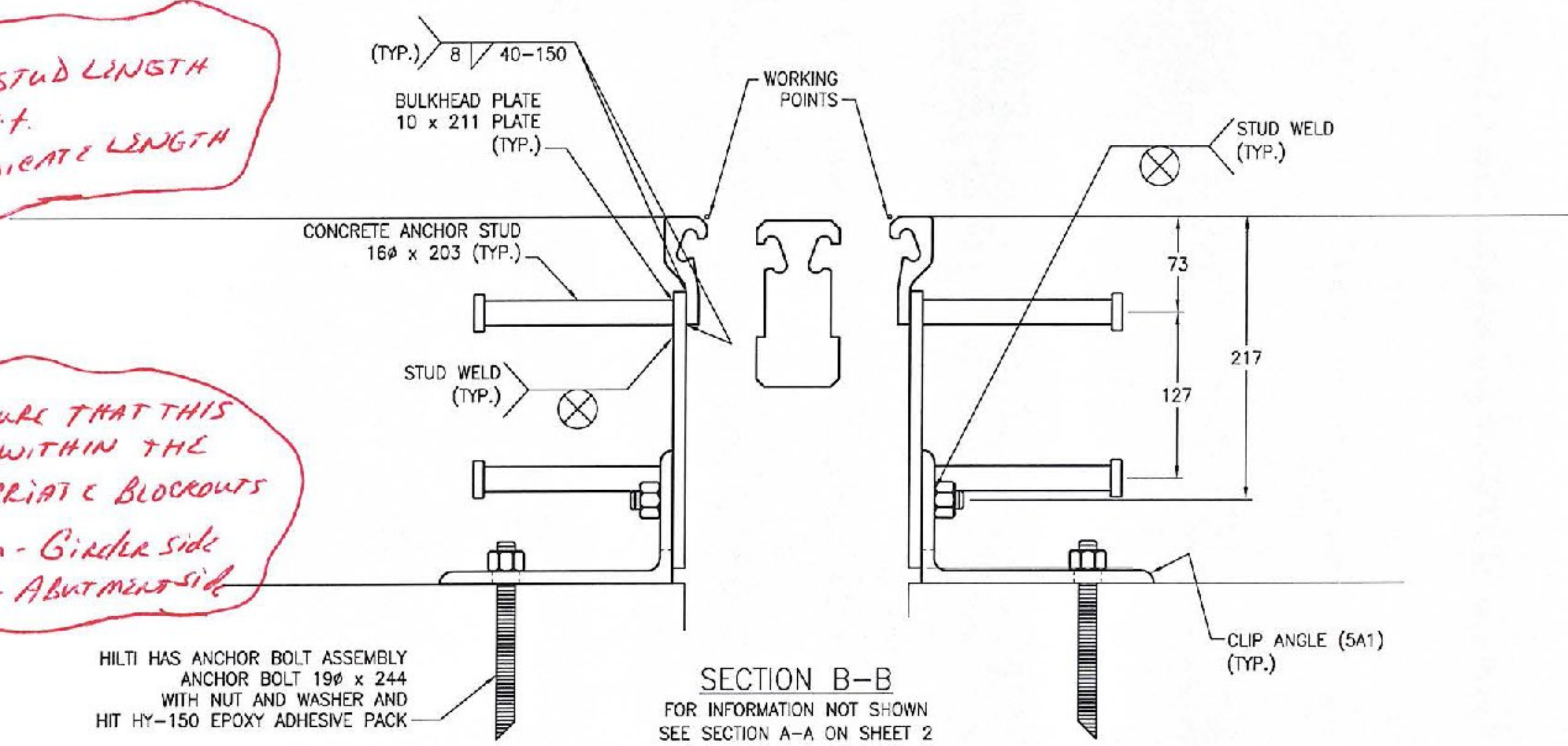
SECTION D-D THRU LOW HEIGHT BOX



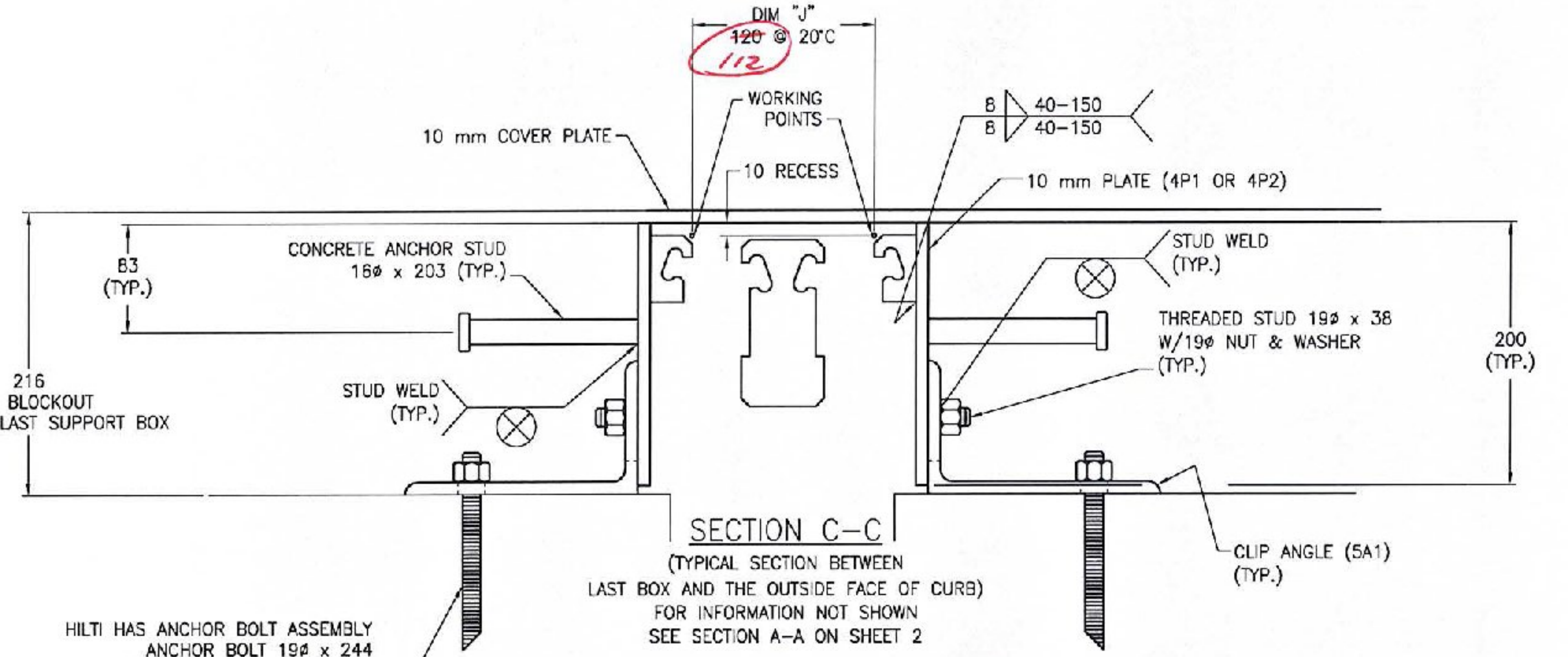
SECTION X-X

ADJUST STUD LENGTH TO GET FIT. ALSO INDICATE LENGTH

ENSURE THAT THIS FITS WITHIN THE APPROPRIATE BLOCKOUTS
600 mm - GIRDER SIDE
400 mm - ABUTMENT SIDE



SECTION B-B
FOR INFORMATION NOT SHOWN SEE SECTION A-A ON SHEET 2



SECTION C-C
(TYPICAL SECTION BETWEEN LAST BOX AND THE OUTSIDE FACE OF CURB)
FOR INFORMATION NOT SHOWN SEE SECTION A-A ON SHEET 2

TVGA CONSULTANTS

NO EXCEPTIONS TAKEN REJECTED
 FURNISH AS CORRECTED
 REVISE AND RESUBMIT

ENGINEER has reviewed Shop Drawings and Samples and other data which Contractor is required to submit, only for conformance with the information given in the Contract Documents and compatibility with the design concept of the completed Project as a functioning whole as indicated in the Contract Documents. Such reviews do not extend to means, methods, techniques, sequences or procedures of construction or to safety precautions and programs incident thereto. Such reviews do not extend to any LEED certification or accreditation. Contractor is responsible for dimensions to be confirmed and correlated at the job site; for information that pertains solely to the fabrication processes or to techniques of construction; and for coordination of the work of all trades.

BY: [Signature]
 DATE: 6/1/2010

INSPECTION REQUIRED

VERMONT AGENCY OF TRANSPORTATION
 COUNTY: BENNINGTON
 PROJECT NO.: AC NH 019-1(51)
 CAPITAL PROJECT ID NO.: —
 BRIDGE NO.: B15, B15N, B15S
 WBA PRODUCT DESCRIPTION: MODULAR
 WBA PRODUCT NO.: STM126770AA

DRAWING ACTION:
 SUBMITTED FOR APPROVAL
 1/20/10

NO.	DESCRIPTION	DATE

Information provided herein, including but not limited to, any drawing, design, photograph, graphic, or statement(s) ("Materials") are proprietary and the property of Watson-Bowman Acme Corporation ("Company"). Reproduction, translation, or reduction to any electronic medium or machine-readable form, in whole or part, is strictly prohibited, except for the express purpose for which it has been furnished without prior written consent of Company. All Materials contained herein are provided by Company for information purposes only. Company reserves the right to amend or withdraw any information contained in the Materials without notice. All technical or other advice by Company, whether verbal or written, concerning products, or the use of products in specific situations ("Advice") is given by Company and is used at the User's own risk.

 Watson Bowman Acme Corp. 96 Pineview Drive Acmond, NY 14225 phone: (716) 981-7556 fax: (716) 981-2239 www.wbcorp.com	 The Chemical Company	DESIGNED BY: TPL DATE: 12/23/09
		CHECKED BY: TEB DATE: 1/7/10
PROJECT: WWII VETERAN'S MEMORIAL HIGHWAY VT ROUTE 279, PRINCIPAL ARTERIAL WBA MODULAR STM-600 EXPANSION JOINT DETAILS	SCALE: NTS SHEET NO.: 5 of 14	WBA JOB NO.: 126770 DRAWING NO.: B-27569

SHEET NUMBER: 2e1
 ITEM DESCRIPTION:
 ITEM NUMBER:
 MARK SYSTEM