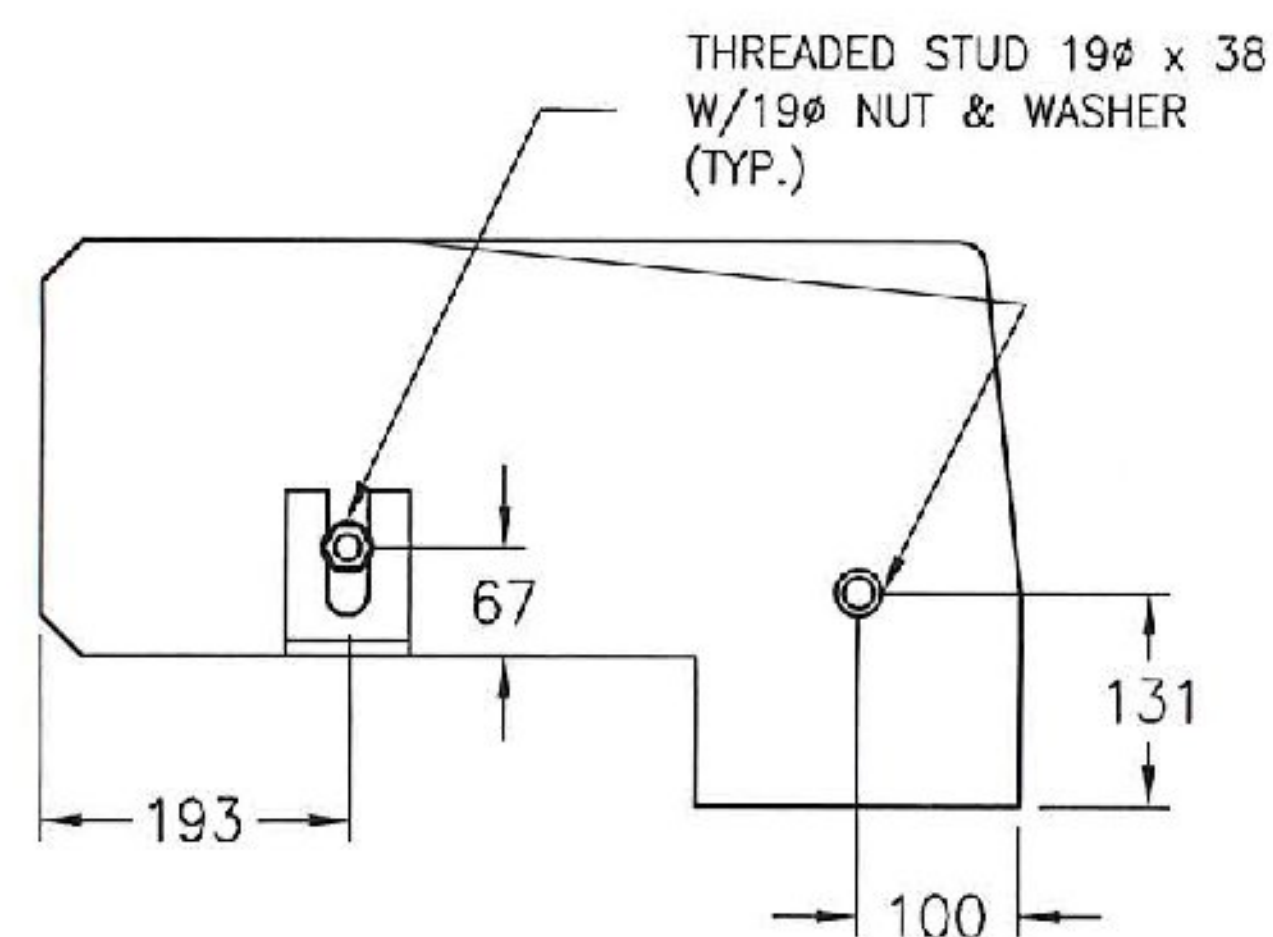


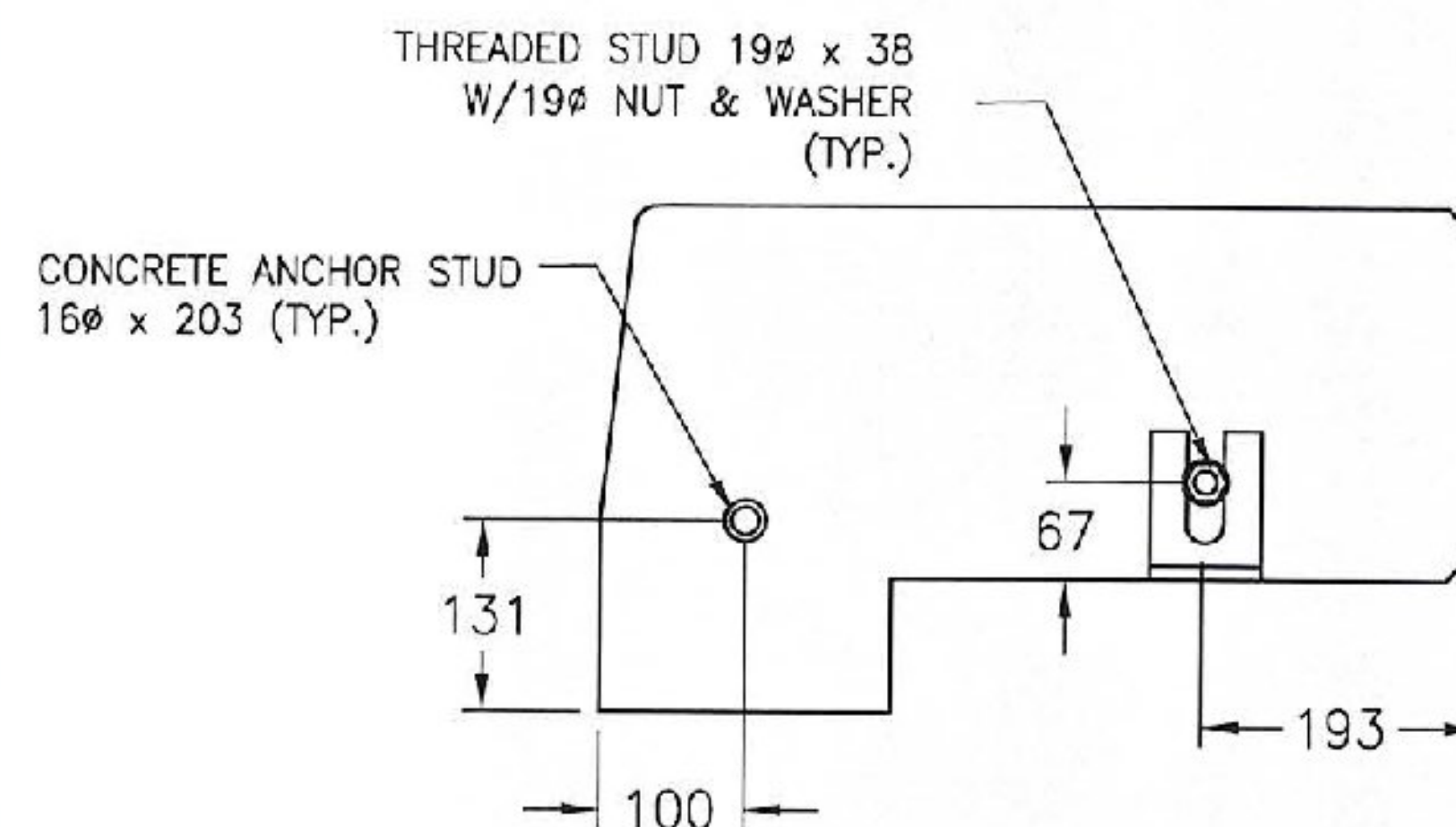
ELEVATION VIEW

NTS



STUD LAYOUT- 2P2, 2P3

NTS



STUD LAYOUT- 2P1, 2P4

NTS

TVGA CONSULTANTS

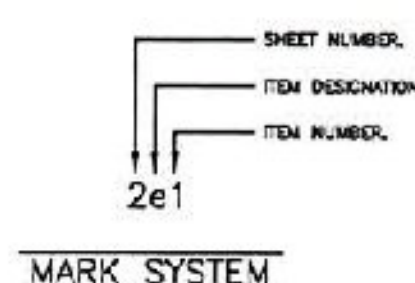
- NO EXCEPTIONS TAKEN REJECTED
 FURNISH AS CORRECTED
 REVISE AND RESUBMIT

ENGINEER has reviewed Shop Drawings and Samples and other data which Contractor is required to submit, only for conformance with the information given in the Contract Documents and compatibility with the design concept of the completed Project as a functioning whole as indicated in the Contract Documents. Such reviews do not extend to means, methods, techniques, sequences or procedures of construction or to safety precautions and programs incident thereto. Such reviews do not extend to any LEED certification or accreditation. Contractor is responsible for dimensions to be confirmed and correlated at the job site; for information that pertains solely to the fabrication processes or to techniques of construction; and for coordination of the work of all trades.

BY: *[Signature]*
 DATE: 6/1/2010

INSPECTION REQUIRED

VERMONT AGENCY OF TRANSPORTATION
 COUNTY: BENNINGTON
 PROJECT NO.: AC NH 019-1(51)
 CAPITAL PROJECT ID NO.: -
 BRIDGE NO.: B15, B15N, B15S
 WBA PRODUCT DESCRIPTION: MODULAR
 WBA PRODUCT NO.: STM126770AA



MARK SYSTEM

DRAWING ACTION:
 SUBMITTED FOR APPROVAL
 1/20/10

NO.	REVISION	DATE

Information provided herein, including but not limited to, any drawing, design, photograph, graphic, or statement(s) ("Materials") are proprietary and the property of Watson Bowman Acme Corporation ("Company"). Reproduction, translation, or reduction to any electronic medium or machine readable form, in whole or part, is strictly prohibited, except for the express purpose for which it has been furnished, without prior written consent of Company. All Materials contained herein are provided by Company for information purposes only. Company reserves the right to amend or withdraw any information contained in the Materials without notice. All technical or other advice by Company, whether verbal or written, concerning products, or the use of products in specific situations ("Advice") is given by Company and is used at the Users own risk.



Watson Bowman Acme Corp.
 95 Platteau Drive
 Amherst, NY 14228
 phone: (716) 281-7000
 fax: (716) 691-6238
 www.wbacorp.com



SCALE	DATE
NTS	12/23/09
NTS	1/7/10
NTS	12/7/10
3 of 14	B-27569

PROJECT:
 WWII VETERAN'S MEMORIAL HIGHWAY
 VT ROUTE 279, PRINCIPAL ARTERIAL
 WBA MODULAR STM-600 EXPANSION JOINT DETAILS