

TVGA CONSULTANTS

- NO EXCEPTIONS TAKEN
- FURNISH AS CORRECTED
- REVISE AND RESUBMIT
- REJECTED

ENGINEER has reviewed Shop Drawings and Samples and other data which Contractor is required to submit, only for conformance with the information given in the Contract Documents and compatibility with the design concept of the completed Project as a functioning whole as indicated in the Contract Documents. Such reviews do not extend to means, methods, techniques, sequences or procedures of construction or to safety precautions and programs incident thereto. Such reviews do not extend to any LEED certification or accreditation. Contractor is responsible for dimensions to be confirmed and correlated at the job site for information that pertains solely to the fabrication, processes or to techniques of construction, and for coordination of the work of all trades.

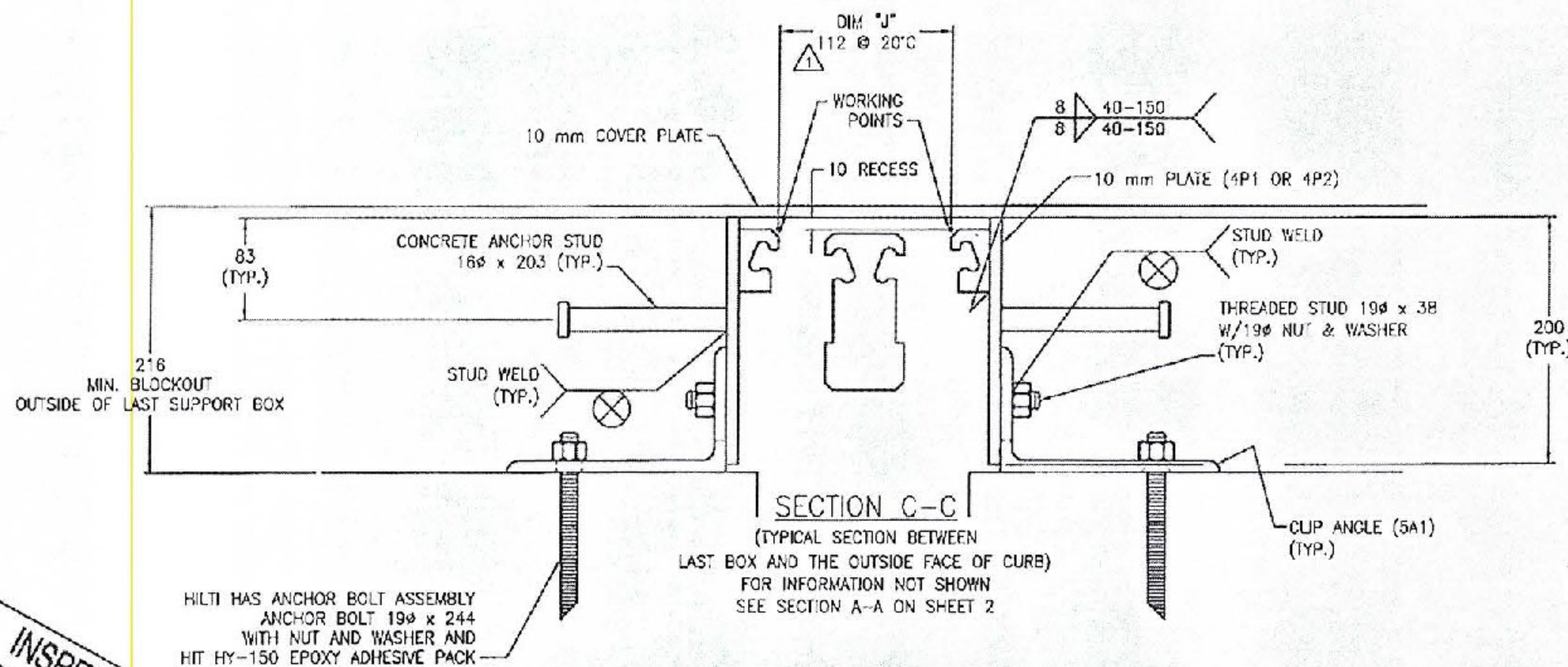
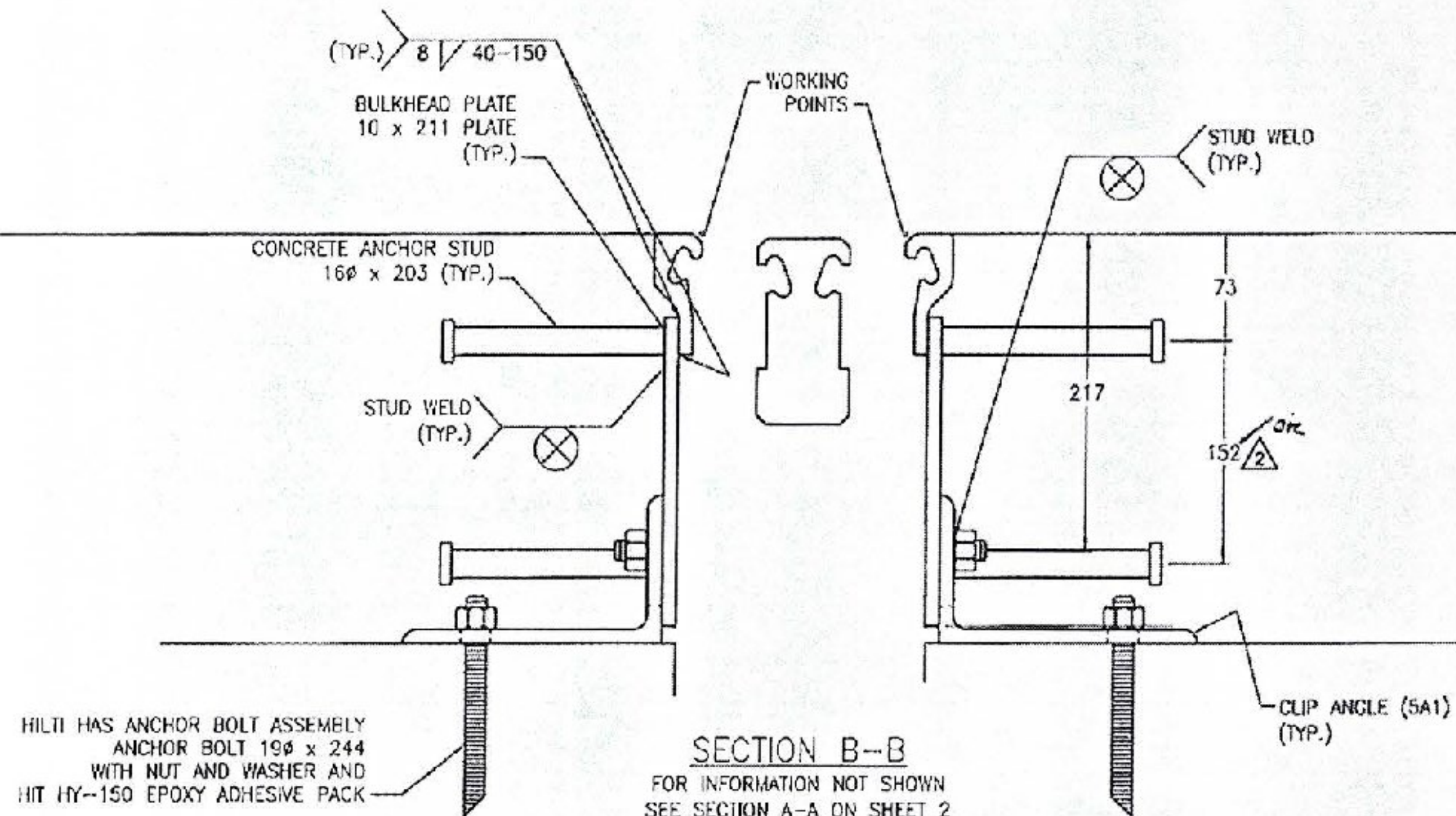
BY: Brian S. Carbon
DATE: 01/16/10

TVGA CONSULTANTS

- NO EXCEPTIONS TAKEN
- FURNISH AS CORRECTED
- REVISE AND RESUBMIT
- REJECTED

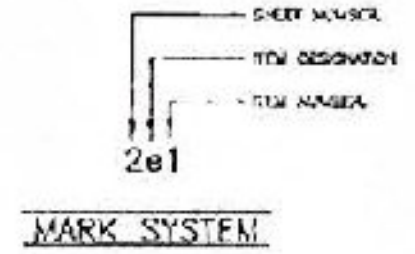
ENGINEER has reviewed Shop Drawings and Samples and other data which Contractor is required to submit, only for conformance with the information given in the Contract Documents and compatibility with the design concept of the completed Project as a functioning whole as indicated in the Contract Documents. Such reviews do not extend to means, methods, techniques, sequences or procedures of construction or to safety precautions and programs incident thereto. Such reviews do not extend to any LEED certification or accreditation. Contractor is responsible for dimensions to be confirmed and correlated at the job site for information that pertains solely to the fabrication, processes or to techniques of construction, and for coordination of the work of all trades.

BY: _____
DATE: _____



INSPECTION REQUIRED

VERMONT AGENCY OF TRANSPORTATION
COUNTY: BENNINGTON
PROJECT NO.: AC NH 019-1(51)
CAPITAL PROJECT ID NO.: -
BRIDGE NO.: B15, B15N, B15S
WBA PRODUCT DESCRIPTION: MODULAR
WBA PRODUCT NO.: STM126720AB



DRAWING ACTION:
APPROVED
8/26/10

PER MANUFACTURING	TPL	10/2
PER APPROVAL COMMENTS	TPL	1/7/10

Information provided herein, including but not limited to, any drawing, design, photograph, plans, or specifications, is the property and the property of Watson-Bauman Acme Corporation ("Company"). Reproduction, translation, or reduction in any electronic means or machine-readable form, in whole or part, is strictly prohibited, except for the express purpose for which it has been furnished, without prior written consent of Company. All Materials contained herein are provided by Company for information purposes only. Company reserves the right to amend or withdraw any information contained herein at any time without notice. All trademarks or other indicia of Company, whether verbal or written, concerning products, or the use of products, in specific locations ("Markings") are the property of Company and shall remain the property of Company.



Watson Bauman Acme Corp.
85 Park Ave. 2nd Fl.
Arden, NY 14206
Phone: (516) 888-7500
Fax: (516) 888-6000
www.wbcorp.com



DESIGNED BY	TPL	DATE	12/23/09
CHECKED BY	TEB	DATE	1/7/10
SCALE	NTS	WBA JOB NO.	126770
SHEET NO.	5 of 14	DRAWING NO.	8-27574

PROJECT: WWV VETERAN'S MEMORIAL HIGHWAY
VT ROUTE 279, PRINCIPAL ARTERIAL
WBA MODULAR STM-800 EXPANSION JOINT DETAILS