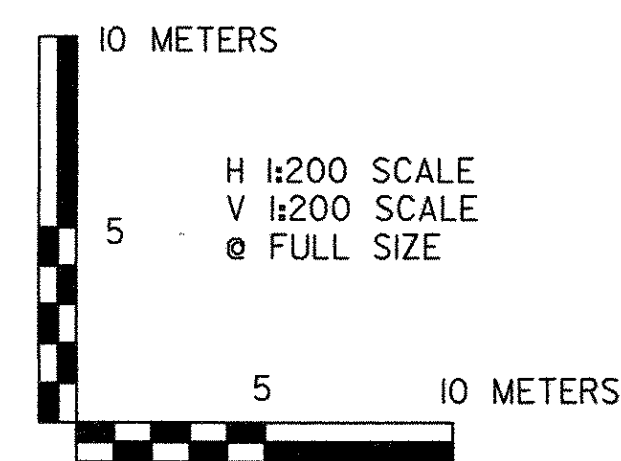
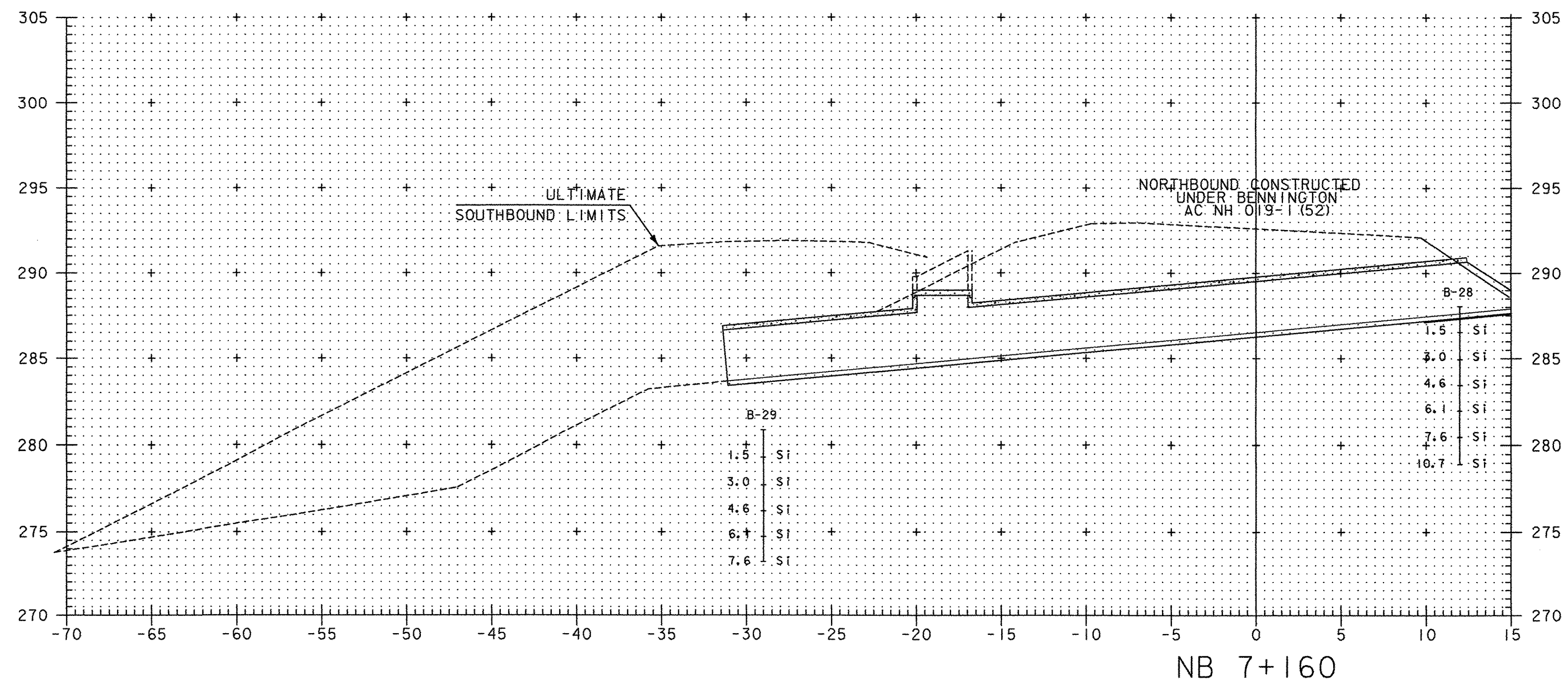
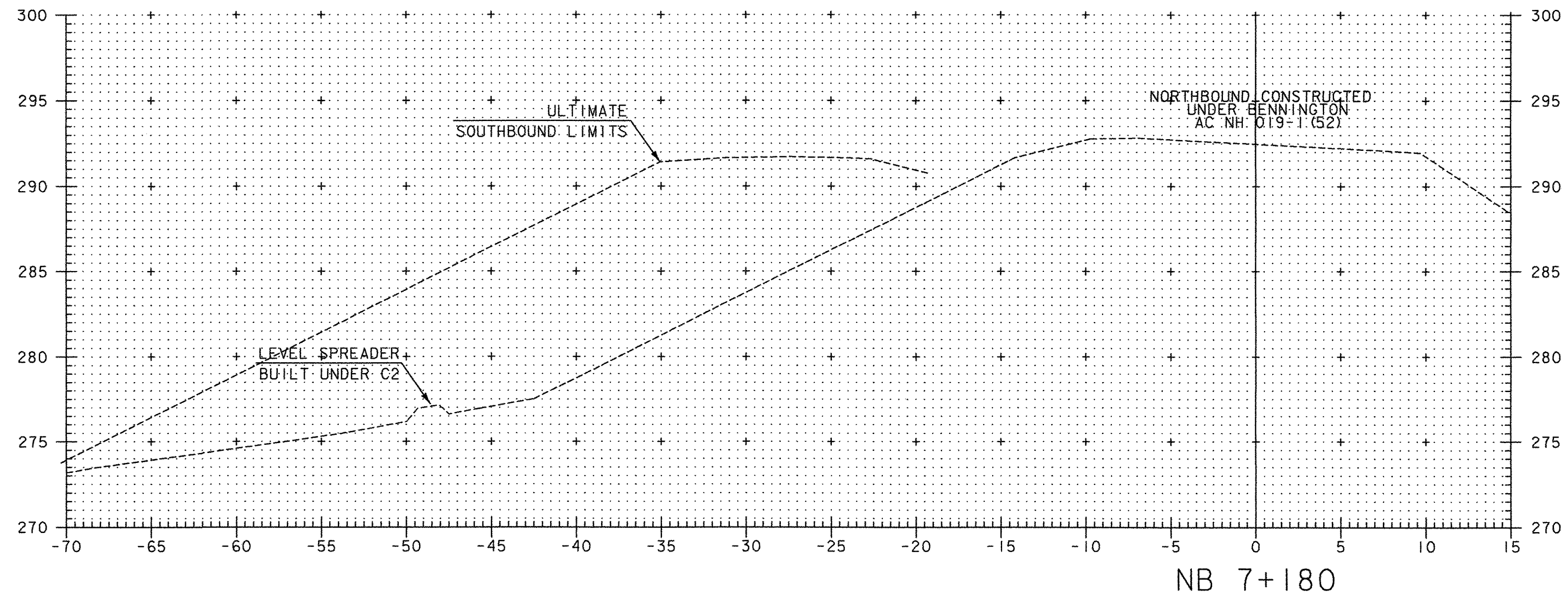


\*NO WORK DONE ON THIS SHEET



**VERMONT AGENCY OF TRANSPORTATION**

PROJECT NAME: BENNINGTON	PLOT DATE: 1/29/2009
PROJECT NUMBER: AC NH 019-1(51)	DRAWN BY: STANTEC
FILE NAME: ...plot files\zd307cxs_nb.ptf	CHECKED BY: GARY SANTY
DESIGN SUPERVISOR: GREG EDWARDS	SHEET 363 OF 367
DESIGNED BY: MARC FOISY	
<b>NB MAINLINE CROSS SECTIONS NBX-03</b>	

v:\1953\ac11ve\1953\0002\transportation\drawing\contract\plot\_files\zd307cxs\_nb.ptf