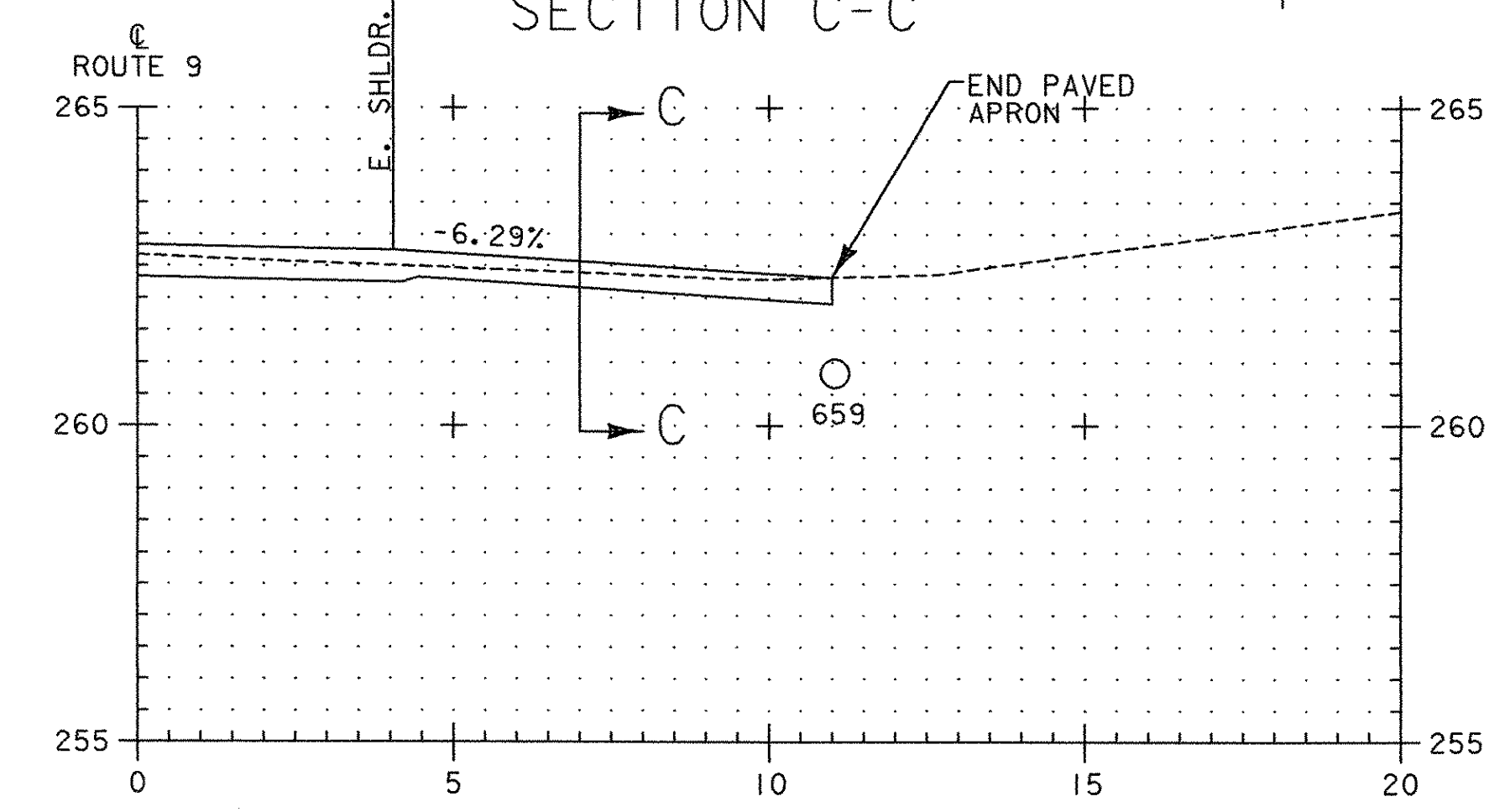
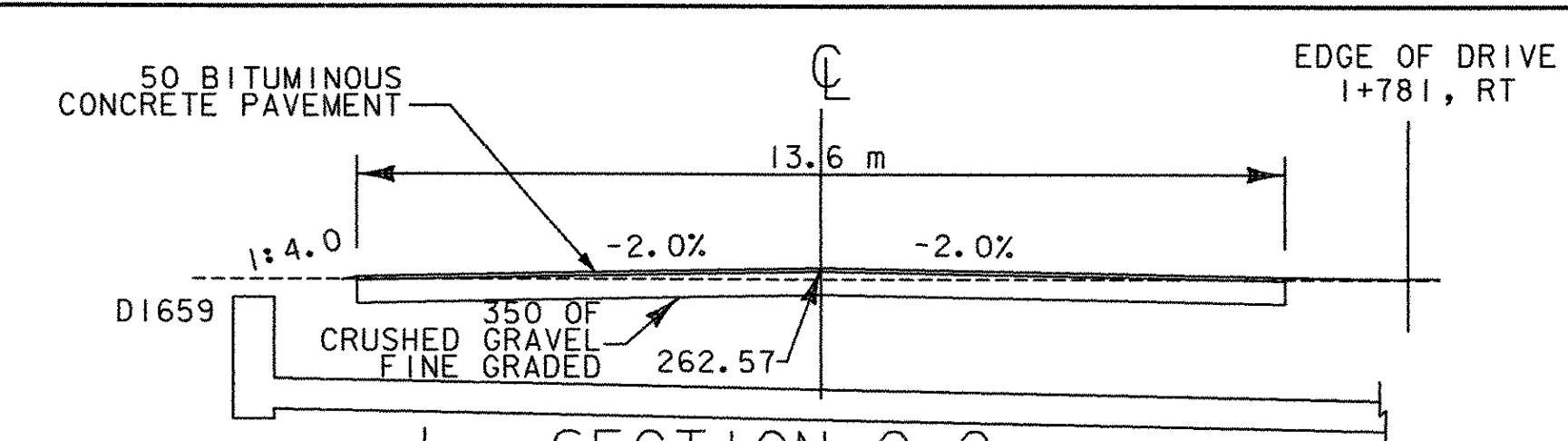
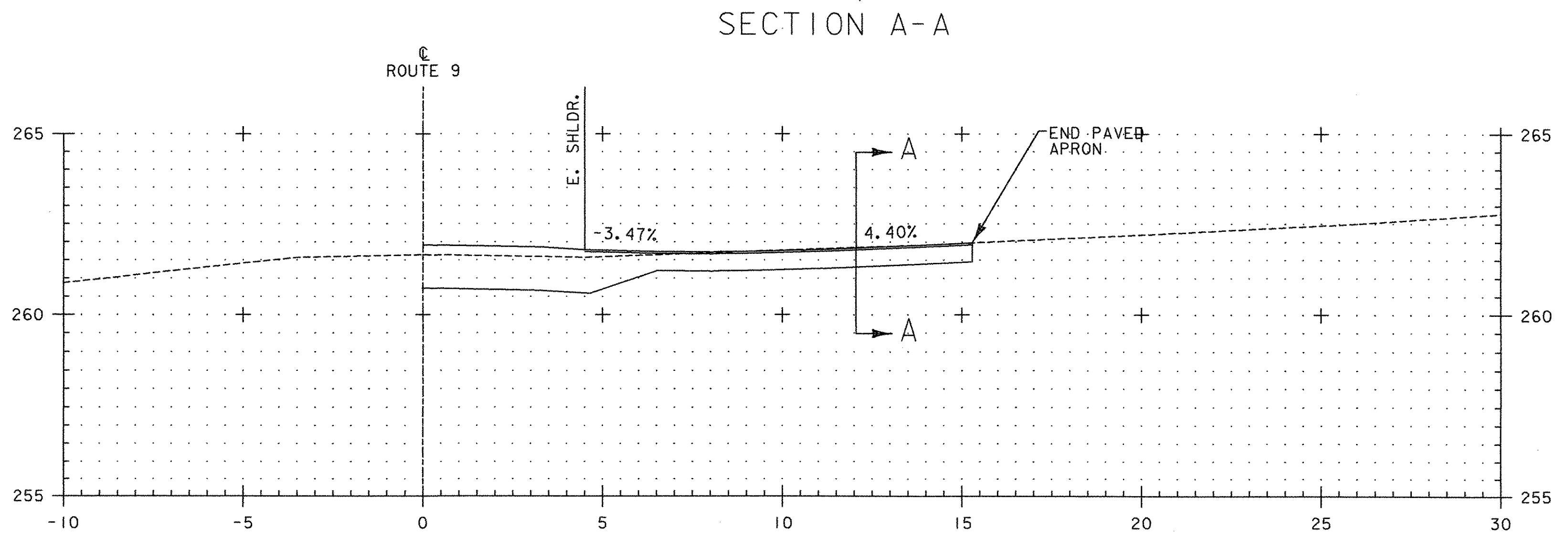
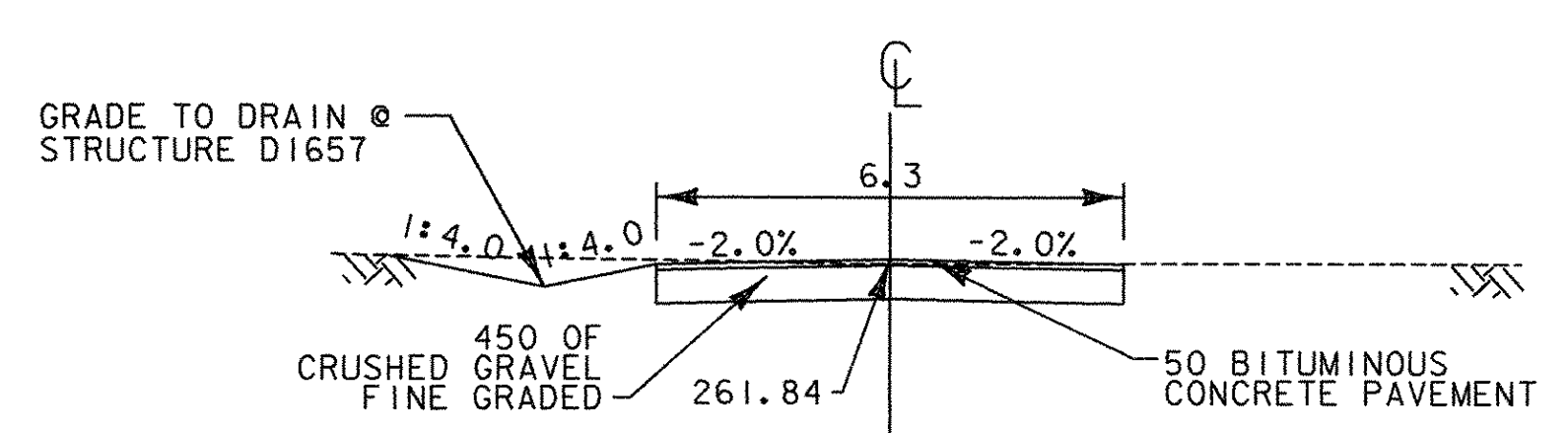


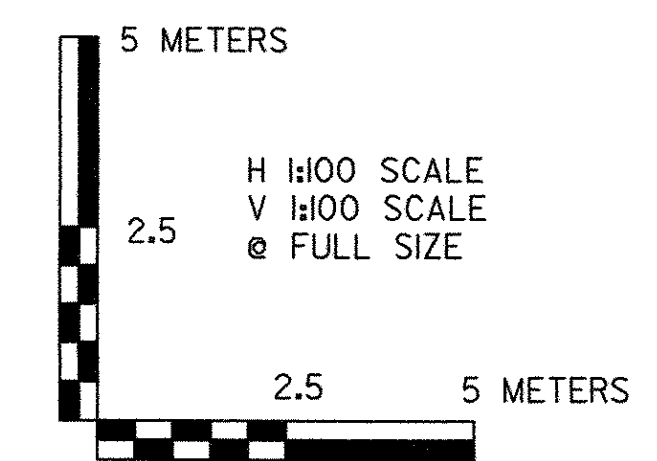
DRIVE STA VT 1+780.467, RT
(ELLIOTT)



DRIVE STA VT 1+792.005, RT
(SHERMAN)



Linden St. - STA. VT 1+744, RT



VERMONT AGENCY OF TRANSPORTATION	
	PROJECT NAME: BENNINGTON
	PROJECT NUMBER: AC NH 019-1(51)
FILE NAME: ...\\plot files\zd307\dxs.r19.ppf	PLOT DATE: 1/29/2009
DESIGN SUPERVISOR: GREG EDWARDS	DRAWN BY: STANTEC
DESIGNED BY: MARC FOISY	CHECKED BY: GARY SANTY
ROUTE 9 CROSS SECTIONS VTX-23	
SHEET 359 OF 367	

V:\953\active\9530002\transportation\drawing\contract\plot_files\z307\dxs.r19.ppf