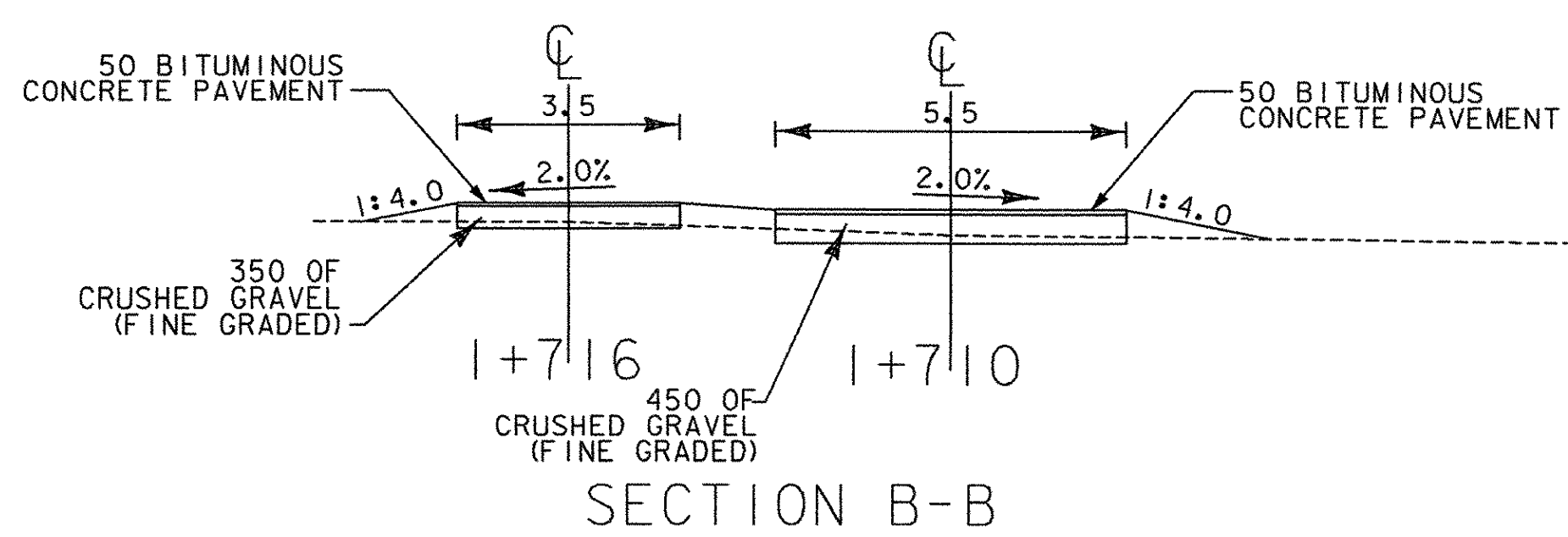
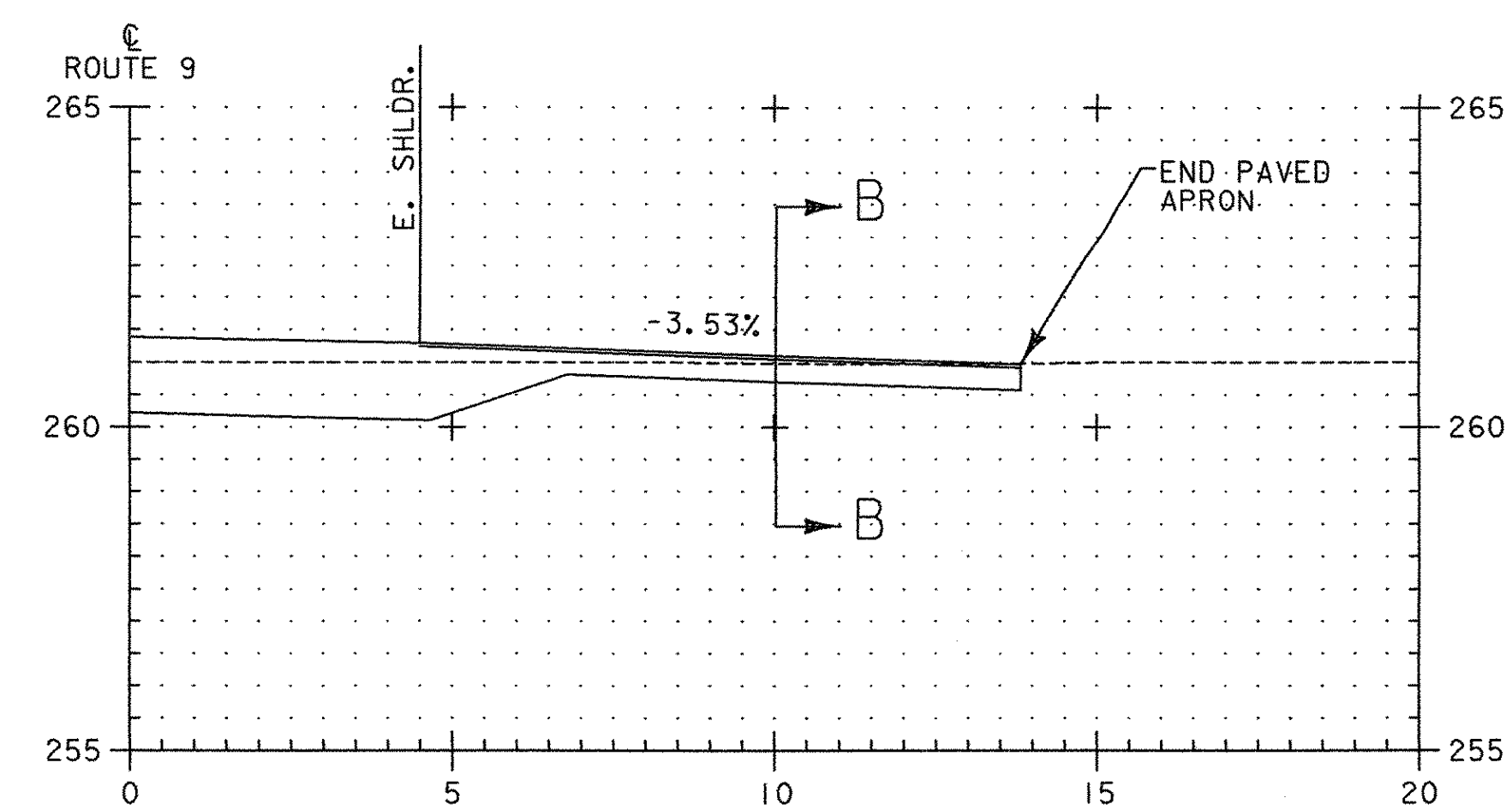
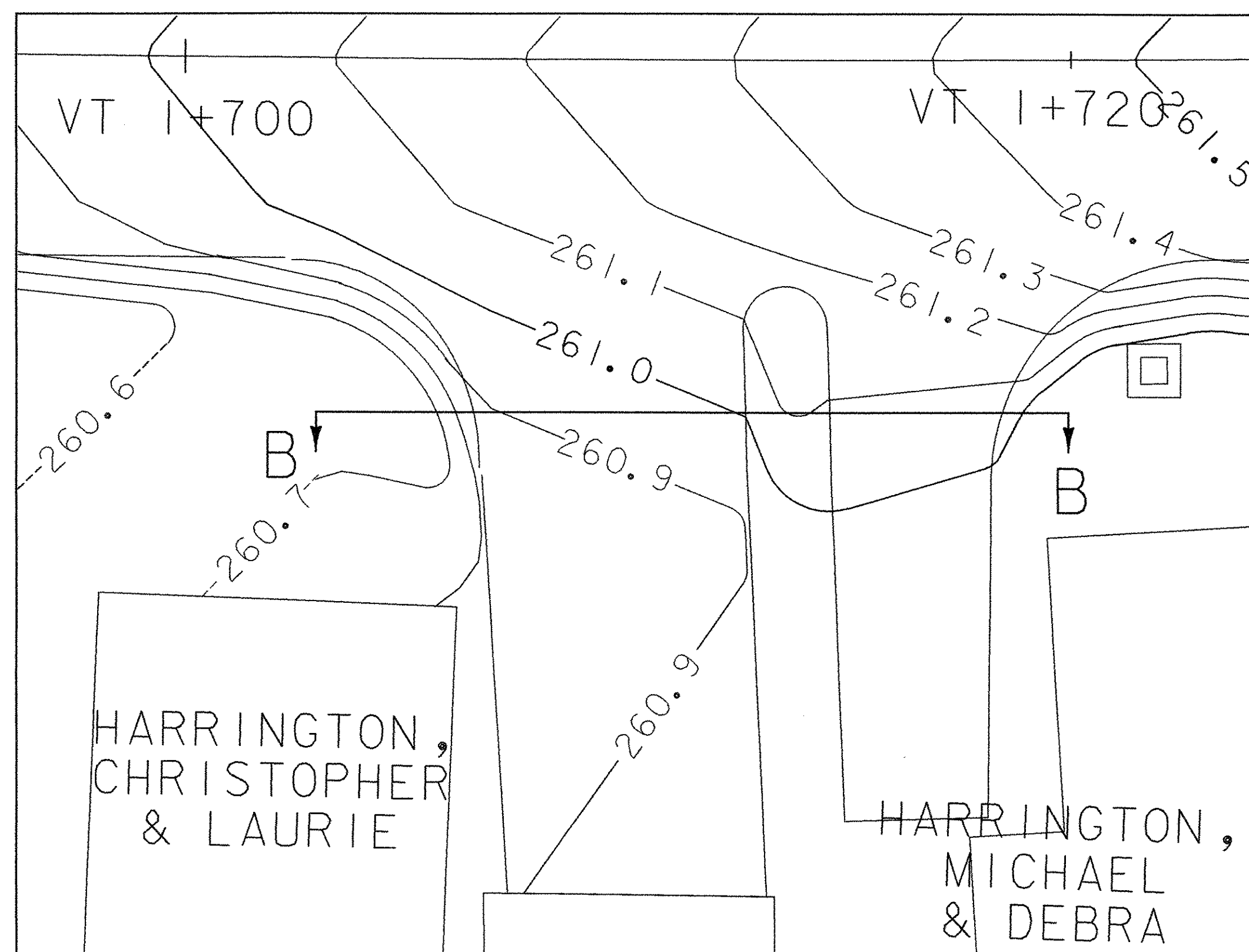


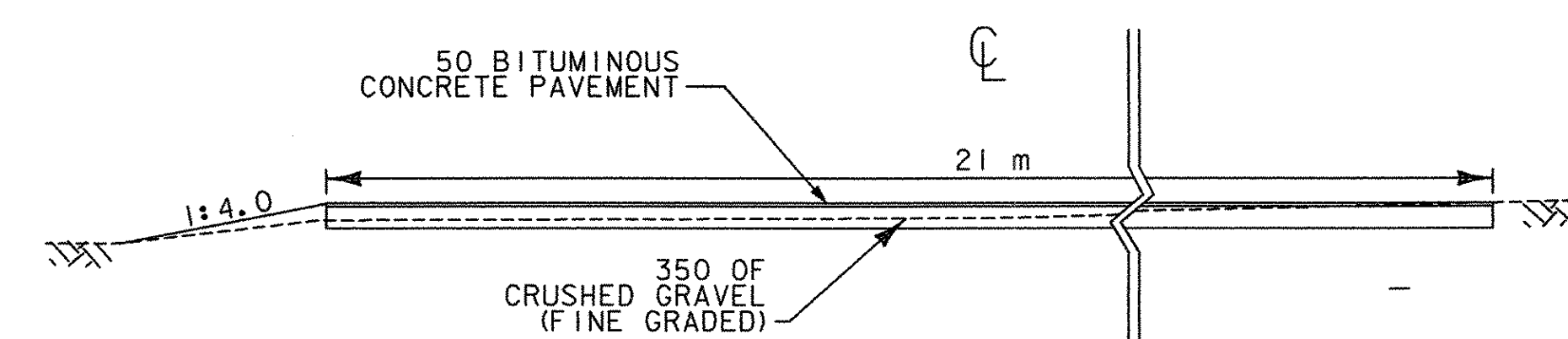
DRIVE STA VT 1+709.533, RT  
(C. HARRINGTON)



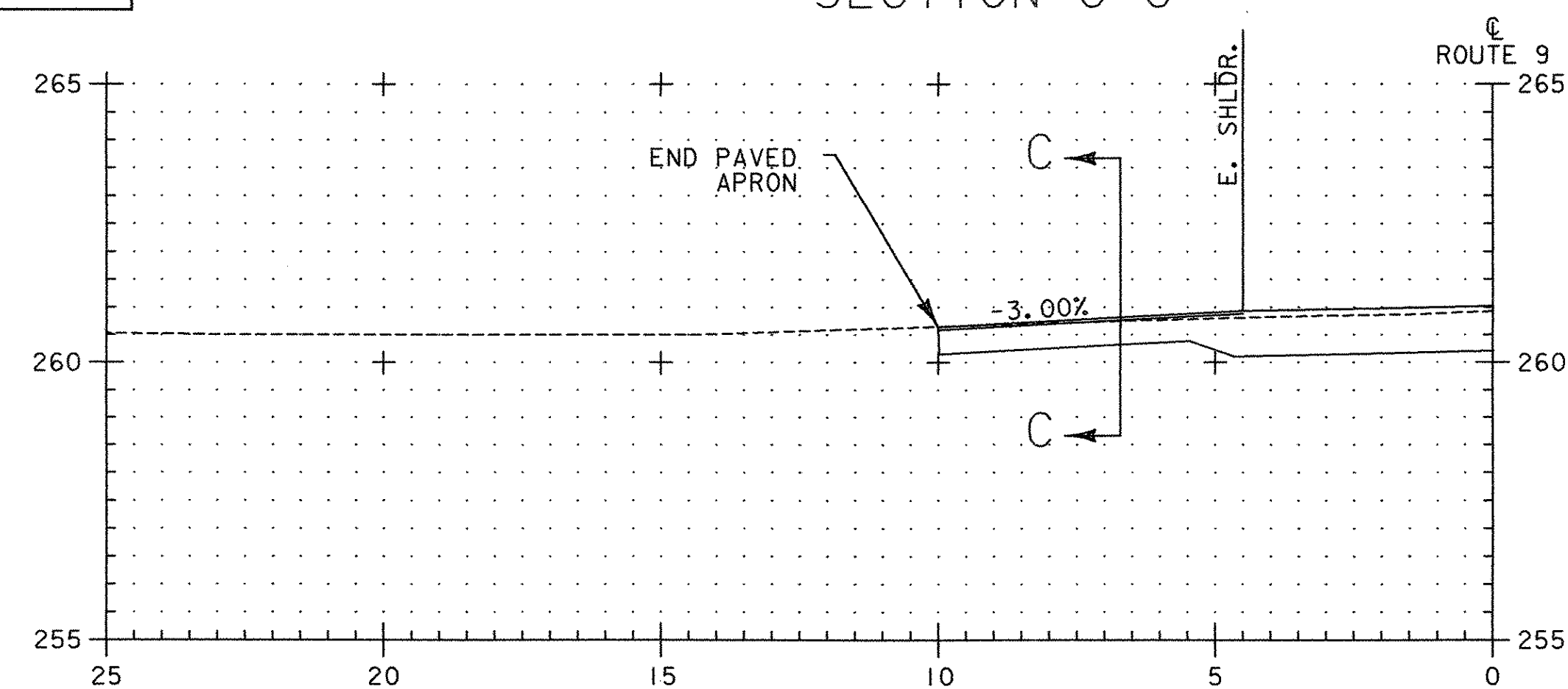
SECTION B-B



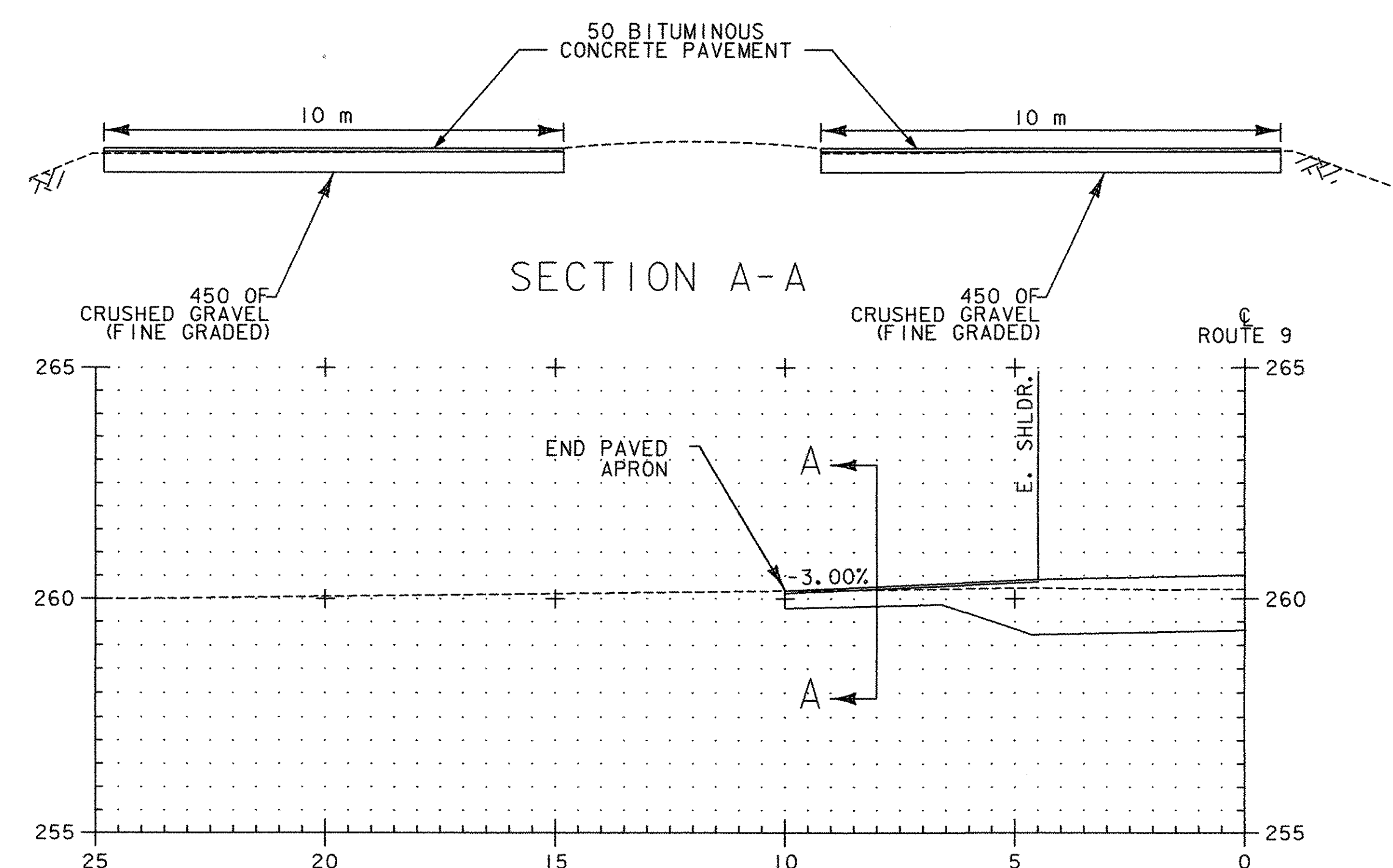
DRIVE STA VT 1+718.325, RT  
(M. HARRINGTON)



SECTION C-C

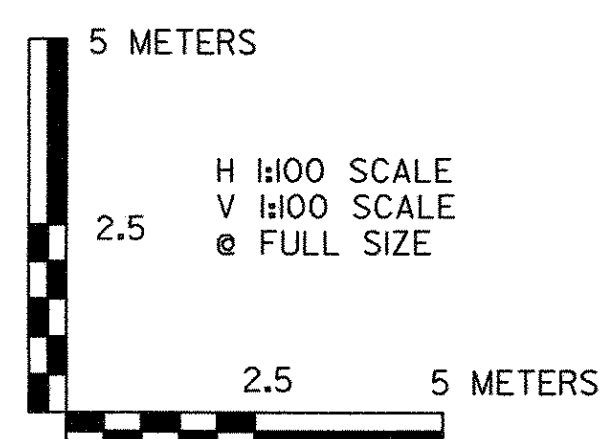


DRIVE STA VT 1+705.571, LT  
(SLEEMAN)



SECTION A-A

DRIVE STA VT 1+679.115, LT  
(CROSS)



VERMONT AGENCY OF TRANSPORTATION



PROJECT NAME: BENNINGTON  
PROJECT NUMBER: AC NH 019-1(51)

FILE NAME: ...plot files\zd307c\cls\_r19.p1f PLOT DATE: 1/29/2009  
DESIGN SUPERVISOR: GREG EDWARDS DRAWN BY: STANTEC  
DESIGNED BY: MARC FOISY CHECKED BY: GARY SANTY  
ROUTE 9 CROSS SECTIONS VTX-22 SHEET 358 OF 367