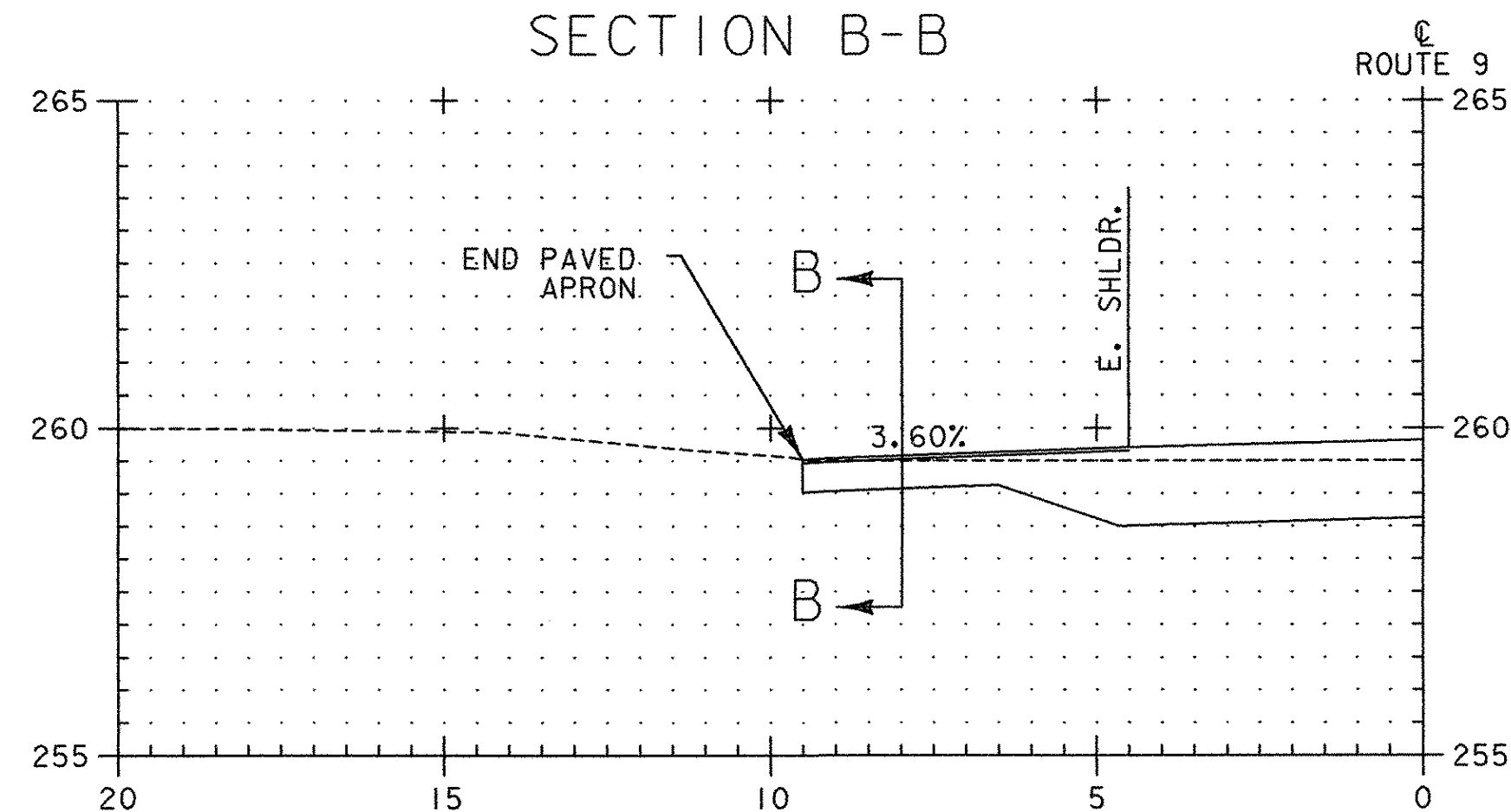
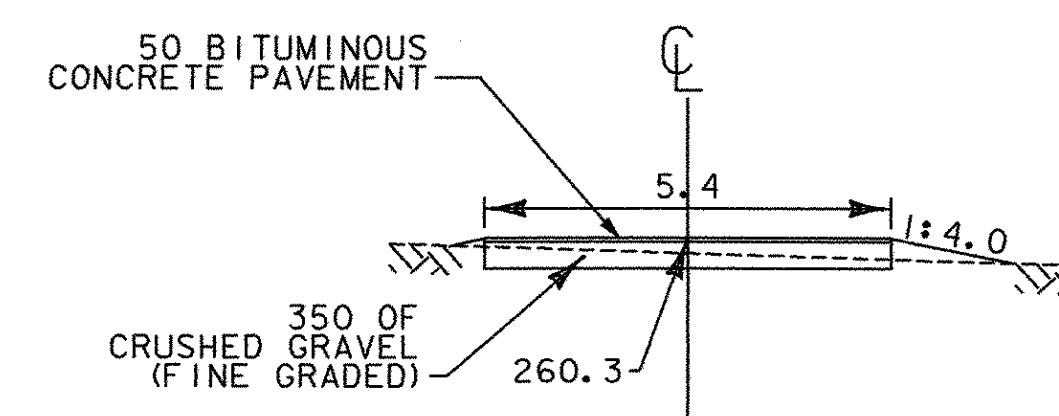


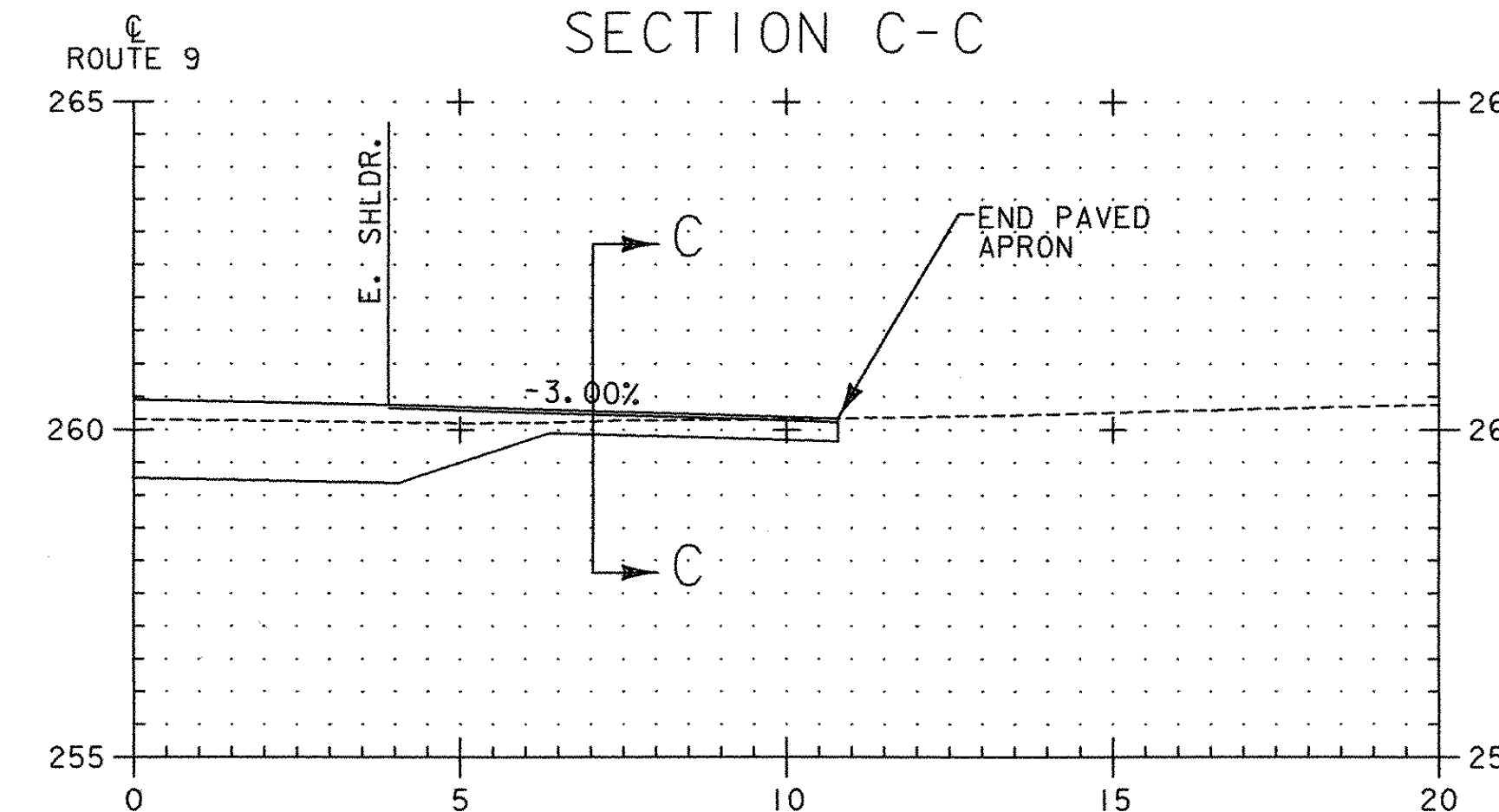
SECTION B-B



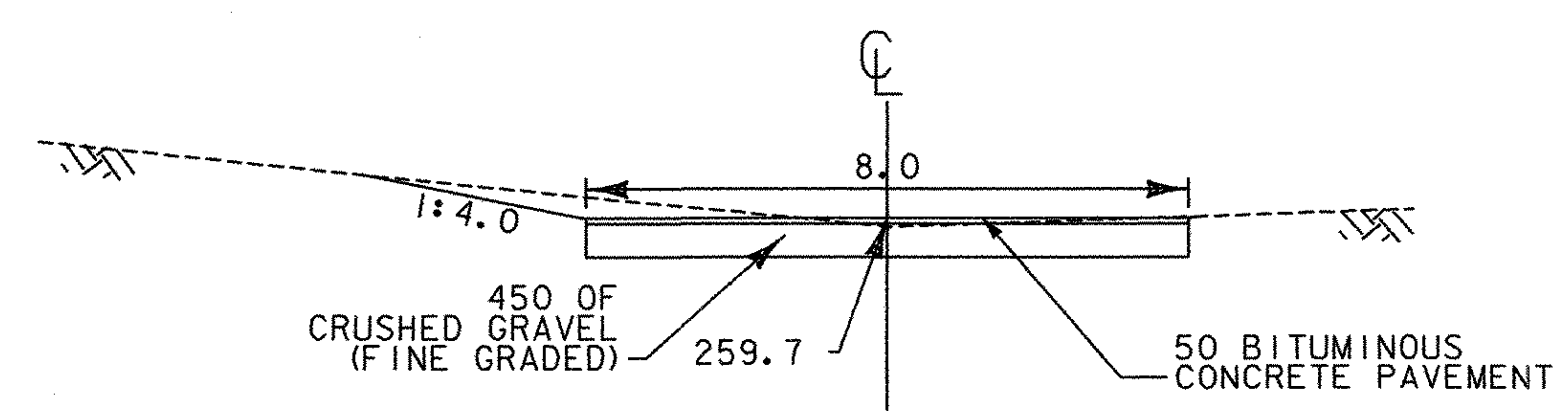
DRIVE STA VT 1+655.015, LT  
(SMITH)



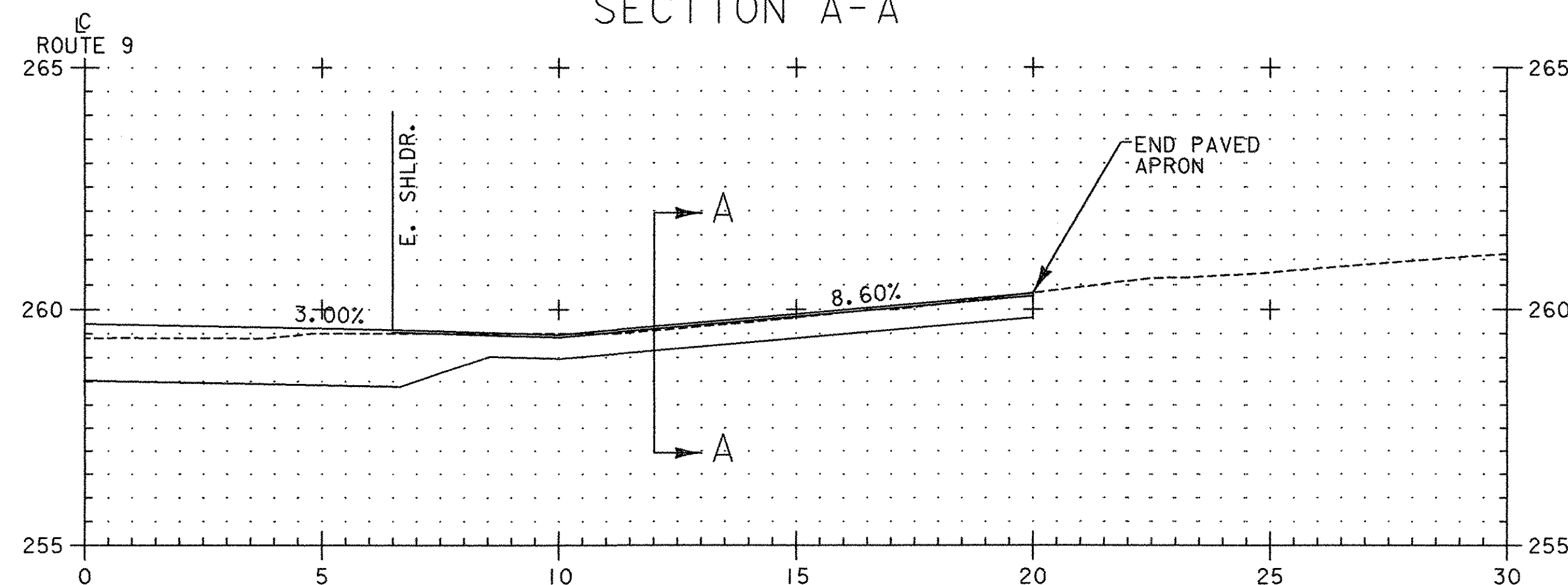
SECTION C-C



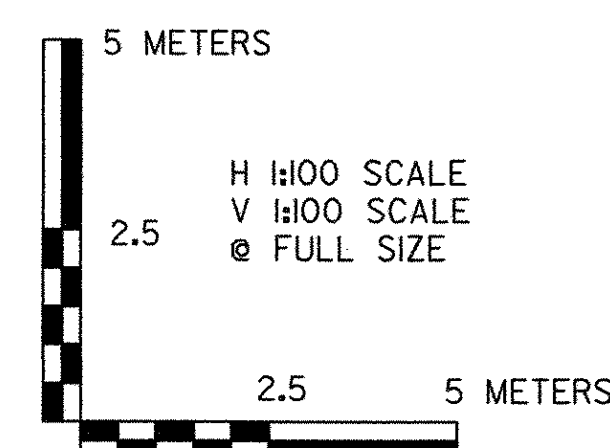
DRIVE STA VT 1+677.490, RT  
(C. HARRINGTON)



SECTION A-A



Hickory St. - STA VT 1+651.139, RT



VERMONT AGENCY OF TRANSPORTATION



PROJECT NAME: BENNINGTON  
PROJECT NUMBER: AC NH 019-(51)

FILE NAME: ...plot files\zd307\cls\_r+9.pxf PLOT DATE: 1/29/2009  
DESIGN SUPERVISOR: GREG EDWARDS DRAWN BY: STANTEC  
DESIGNED BY: MARC FOISY CHECKED BY: GARY SANTY  
ROUTE 9 CROSS SECTIONS VTX-21 SHEET 357 OF 367

V:\953\active\9530002\transportation\drawing\contract\plot\_files\zd307\cls\_r+9.pxf