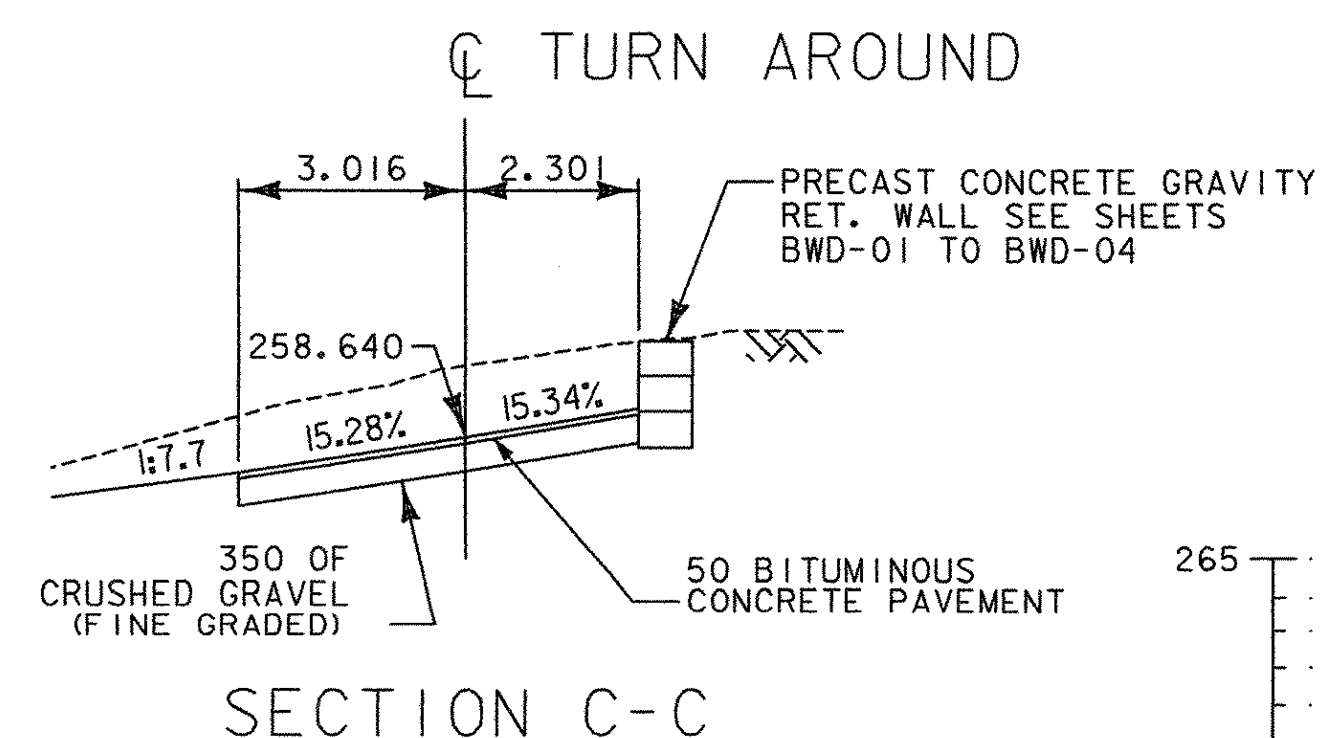
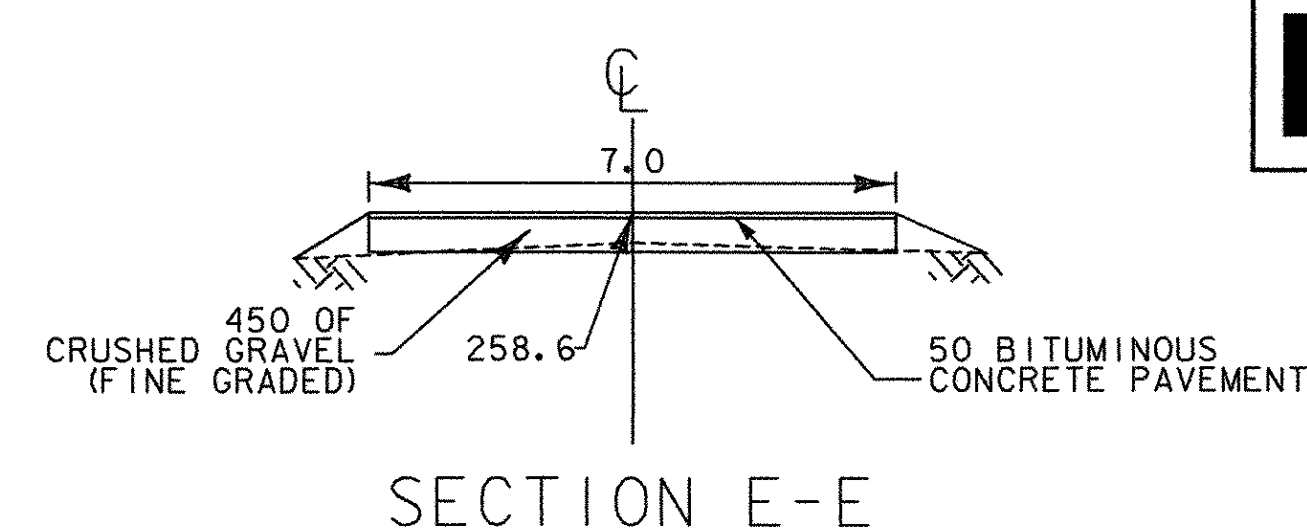


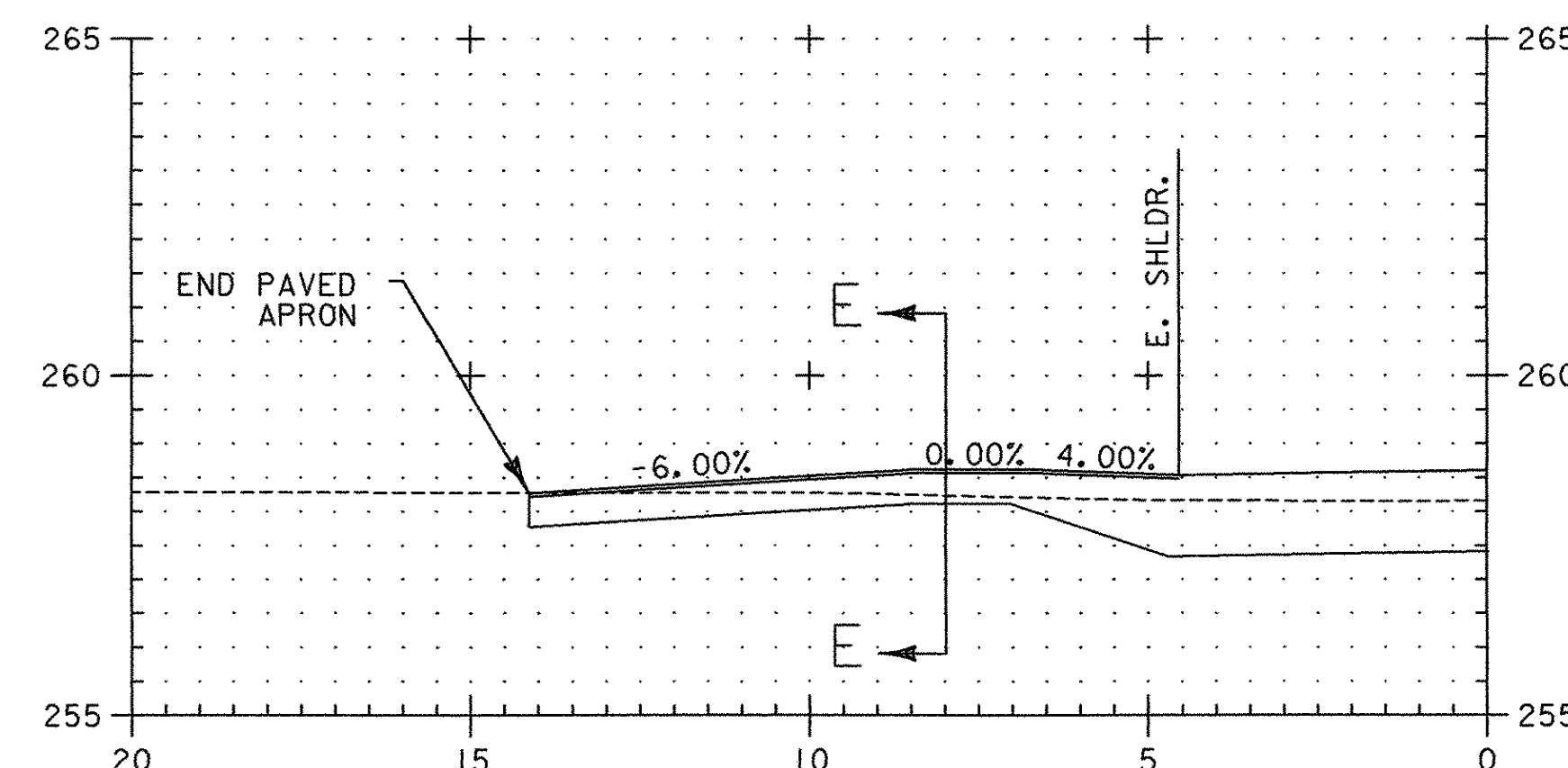
DRIVE STA VT 1+582.183, RT  
(PALMER)



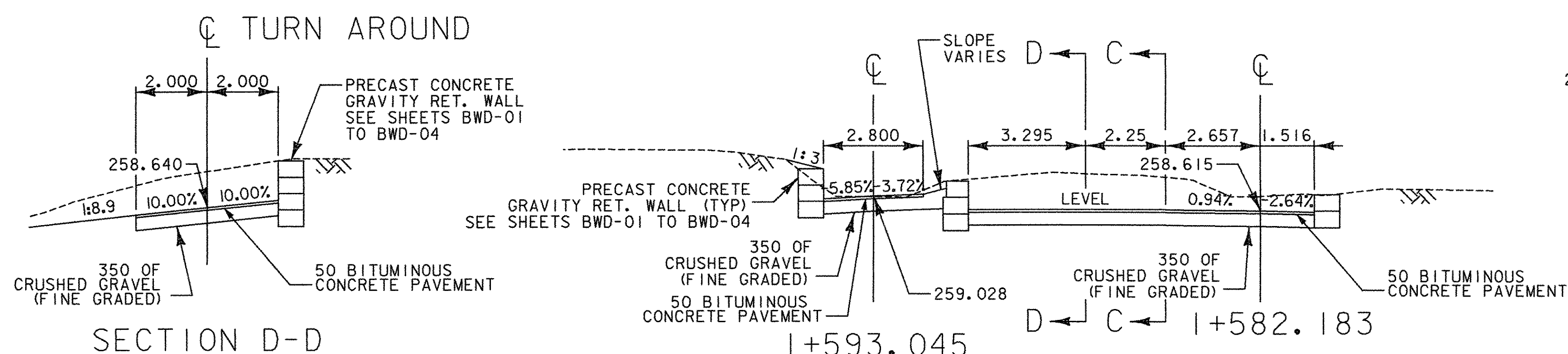
SECTION C-C



SECTION E-E

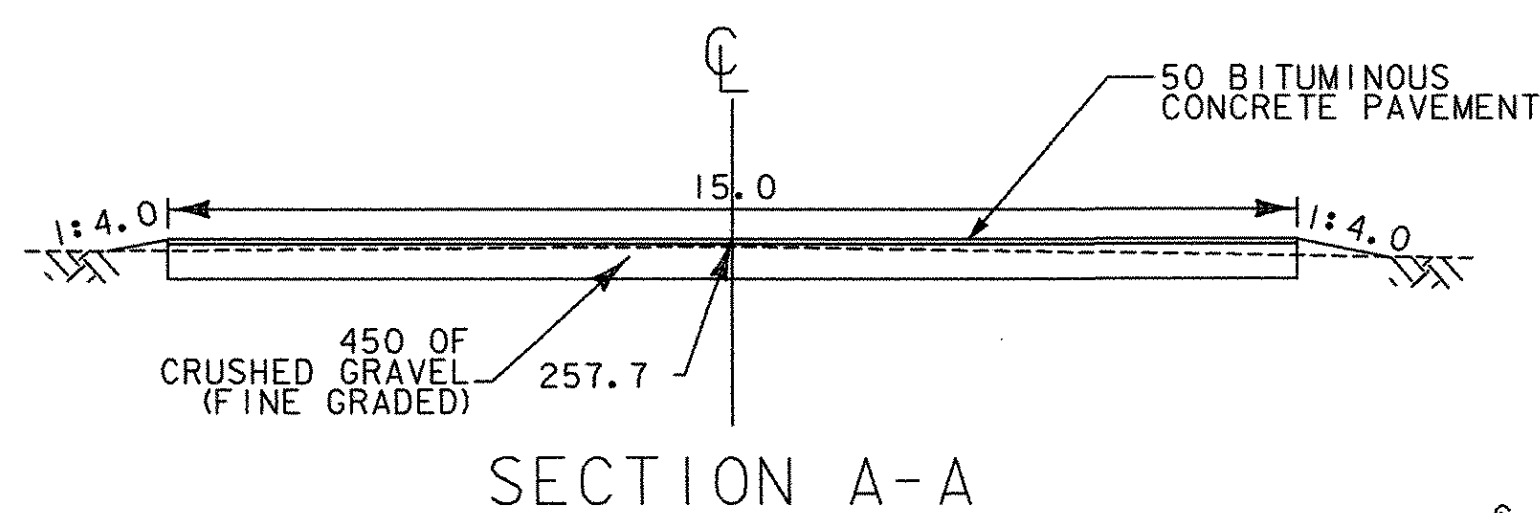


DRIVE STA VT 1+613.174, LT  
(GOODRICH)

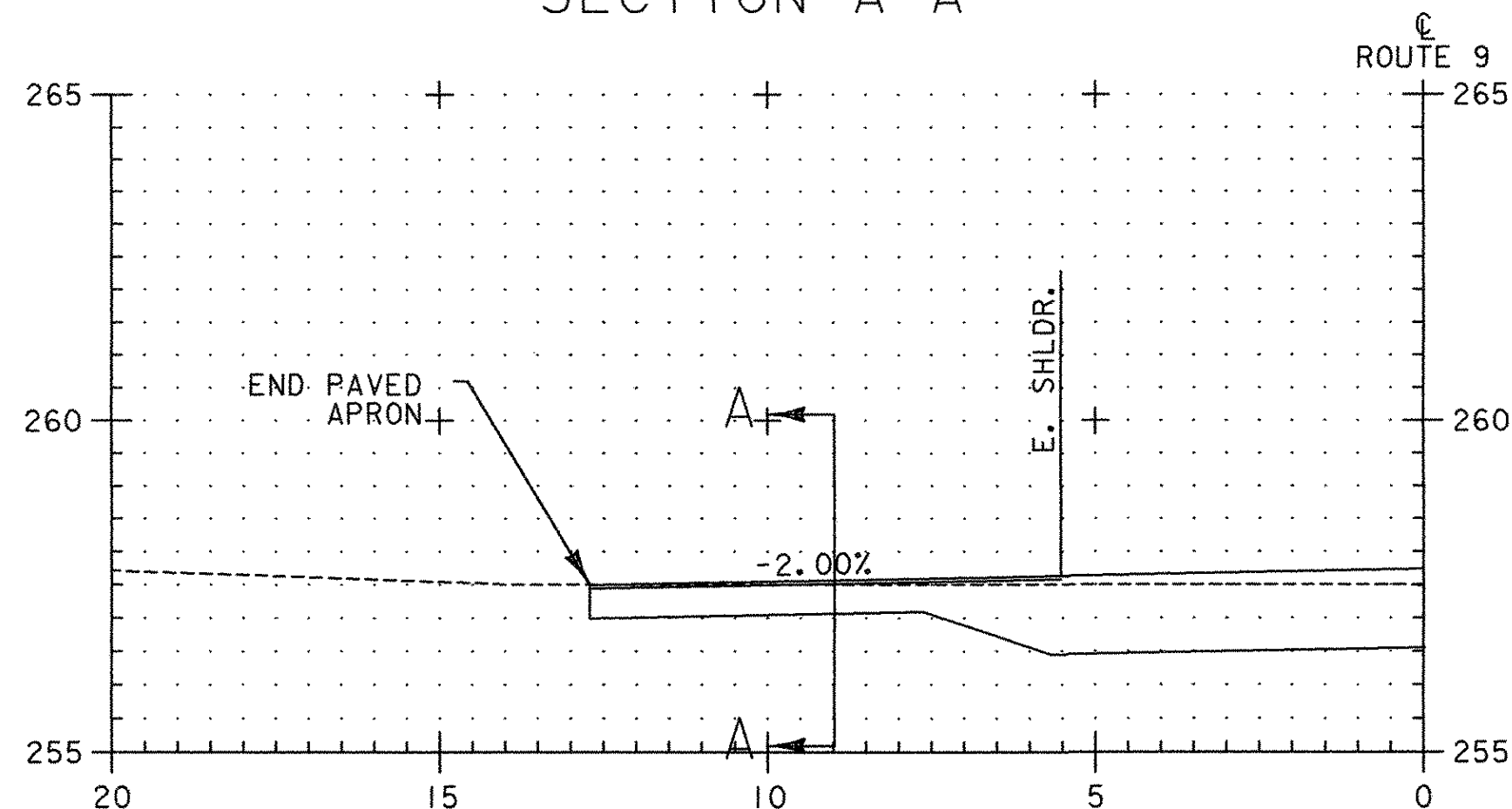


SECTION D-D

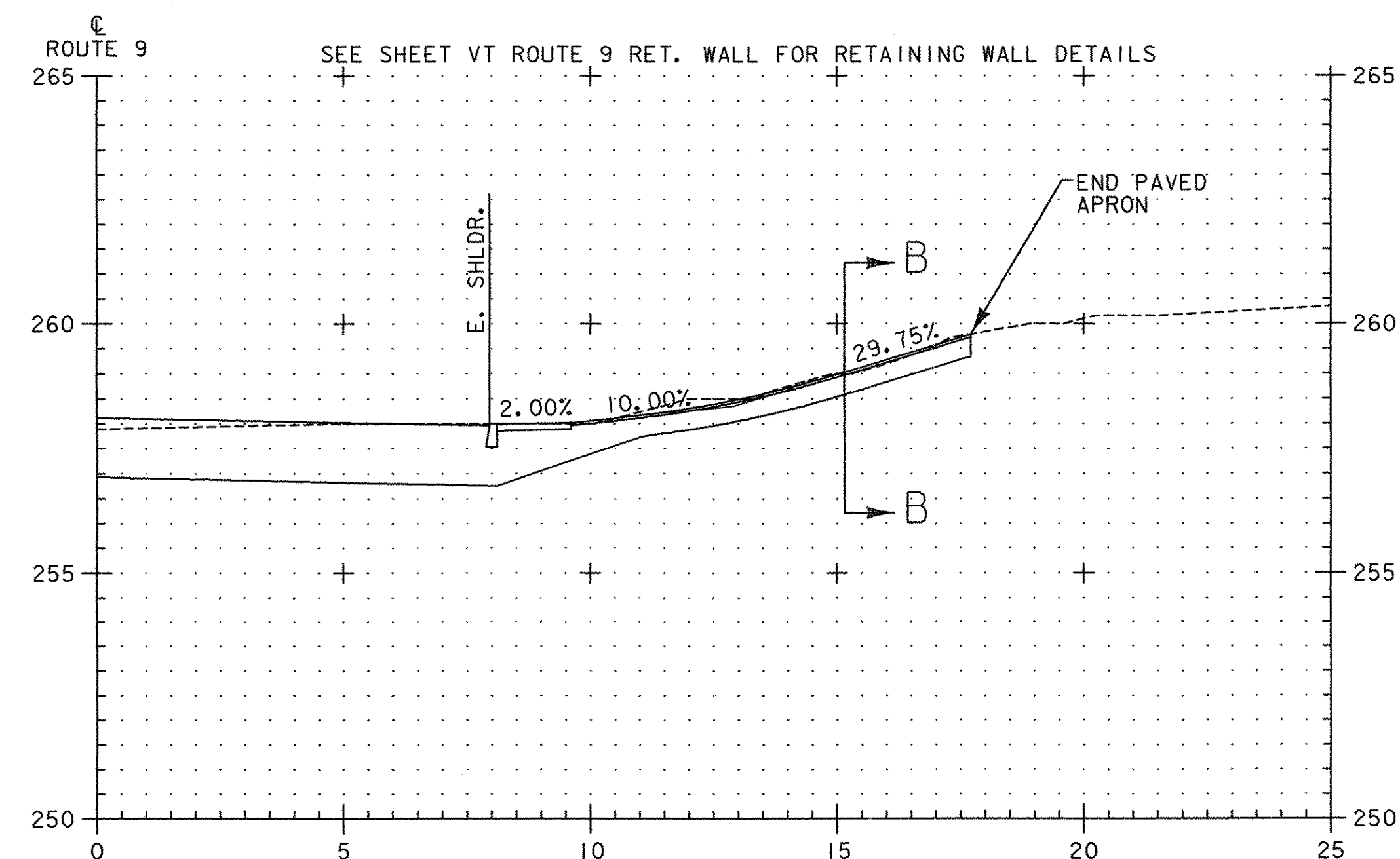
SECTION B-B  
SECTION B-B APPLIES TO BOTH PALMER AND MOXLEY



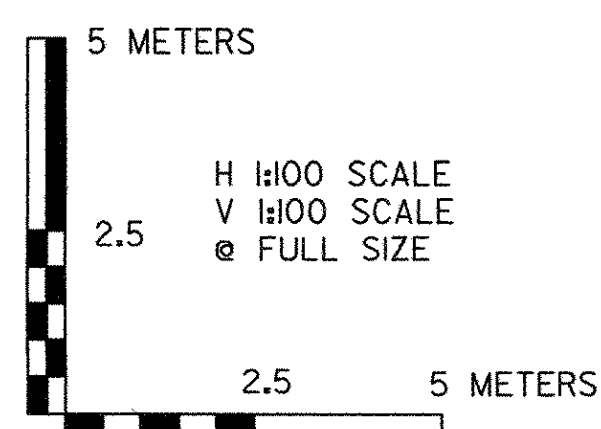
SECTION A-A



DRIVE STA. VT 1+574.263, LT.  
(GOODRICH)



DRIVE STA VT 1+593.045, RT  
(MOXLEY)



**VERMONT AGENCY OF TRANSPORTATION**



PROJECT NAME: BENNINGTON  
PROJECT NUMBER: AC NH 019-1(51)

FILE NAME: ...plot files\zd307\dws\_r+9.prf PLOT DATE: 1/29/2009  
DESIGN SUPERVISOR: GREG EDWARDS DRAWN BY: STANTEC  
DESIGNED BY: MARC FOISY CHECKED BY: GARY SANTY  
**ROUTE 9 CROSS SECTIONS VTX-20** SHEET 356 OF 367

Y:\953\active\953\0002\transportation\drawing\contract\_n\plot\_files\zd307\dws\_r+9.prf