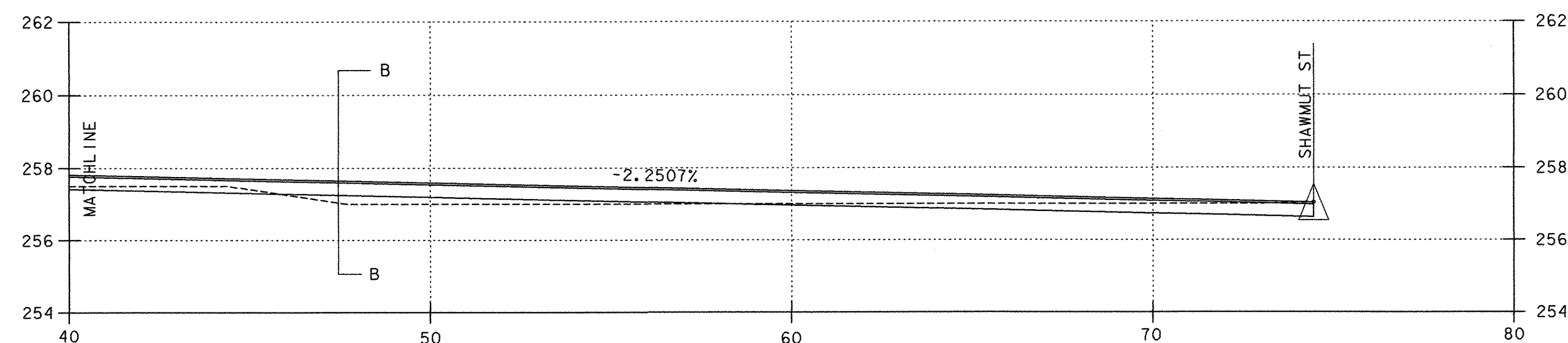
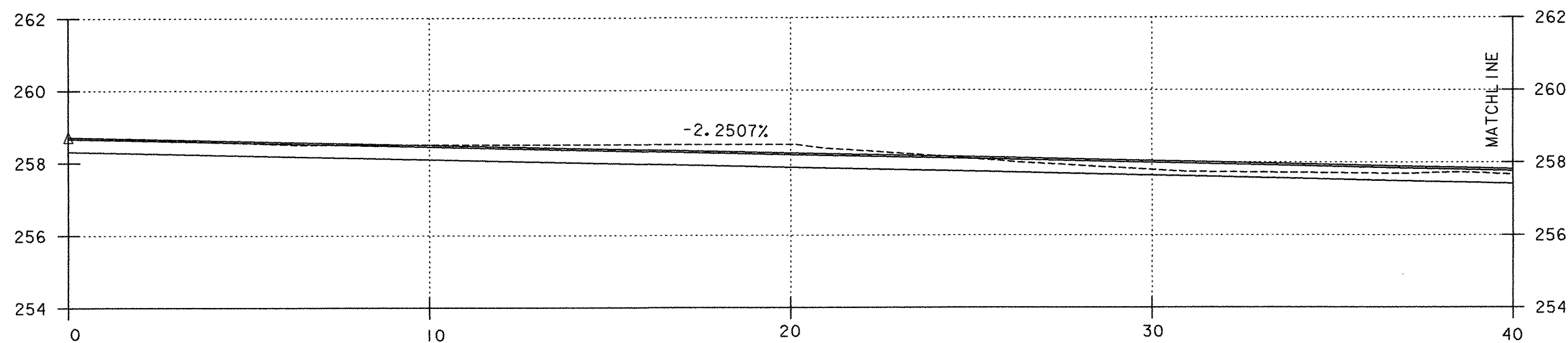
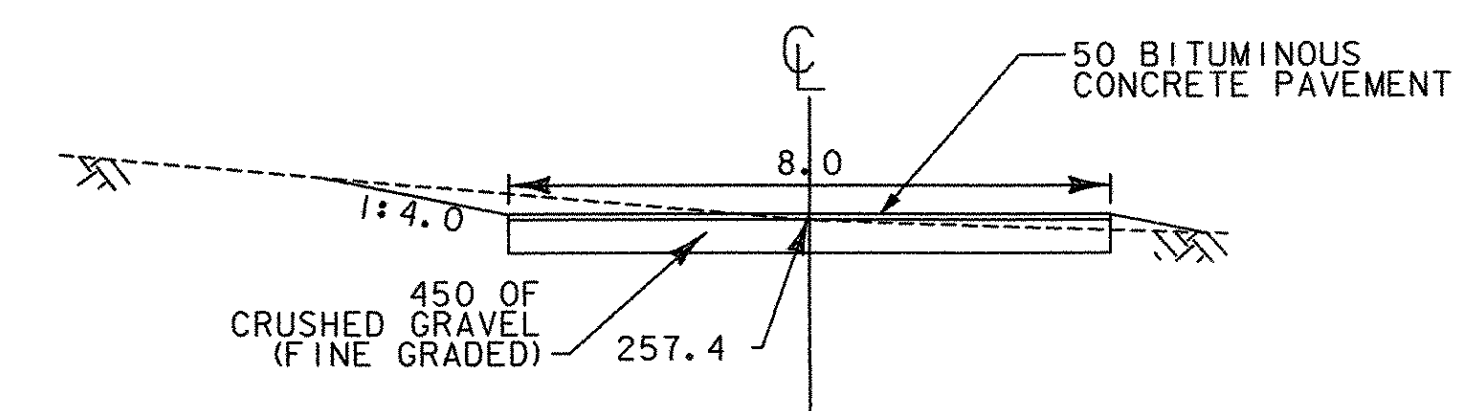


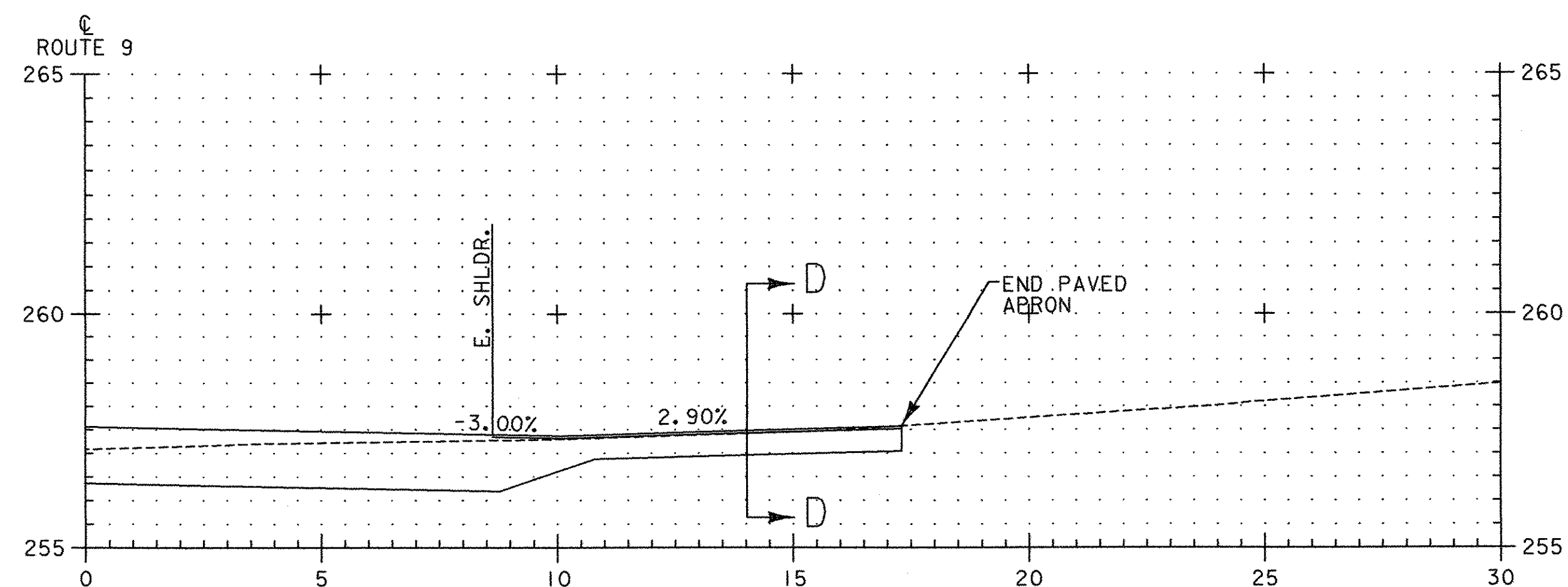
SECTION B-B



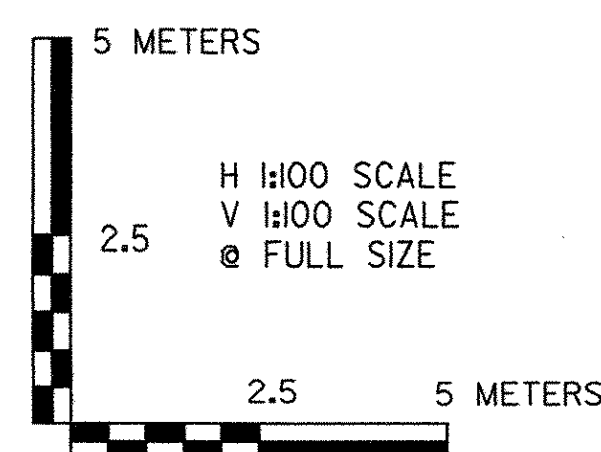
NILES (BISHOP)



SECTION D-D



Harvard St. - STA. VT 1+563, RT



<b>VERMONT AGENCY OF TRANSPORTATION</b>	
	PROJECT NAME: BENNINGTON
	PROJECT NUMBER: AC NH 019-(51)
FILE NAME: ...\plot files\zd307dxs.rt9.ptf	PLOT DATE: 1/29/2009
DESIGN SUPERVISOR: GREG EDWARDS	DRAWN BY: STANTEC
DESIGNED BY: MARC FOISY	CHECKED BY: GARY SANTY
<b>ROUTE 9 CROSS SECTIONS VTX-19</b>	
SHEET 355 OF 367	

v:\953\active\9530002\transportation\drawing\contract\ndplot\_files\zd307dxs.r19.ptf