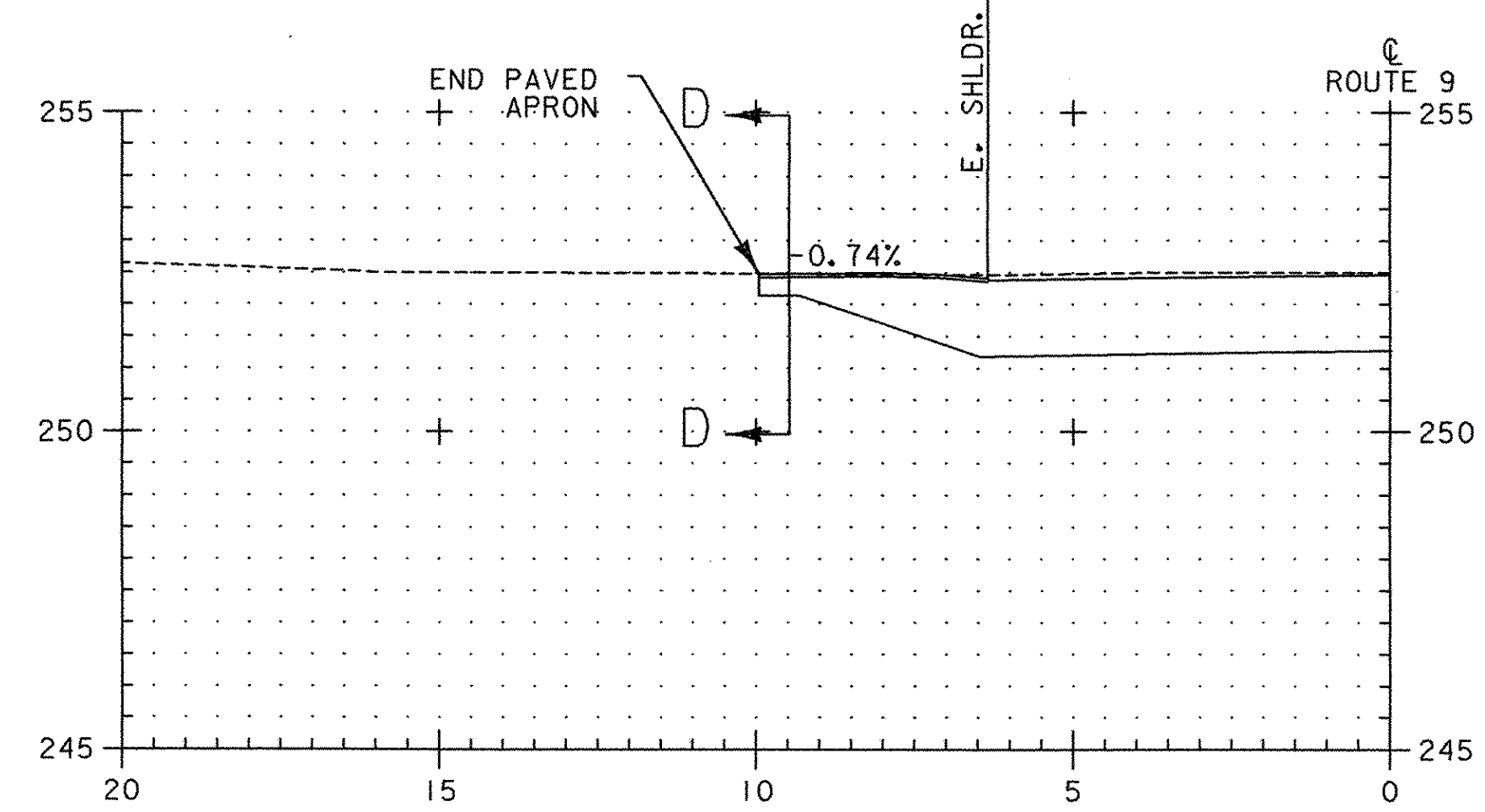
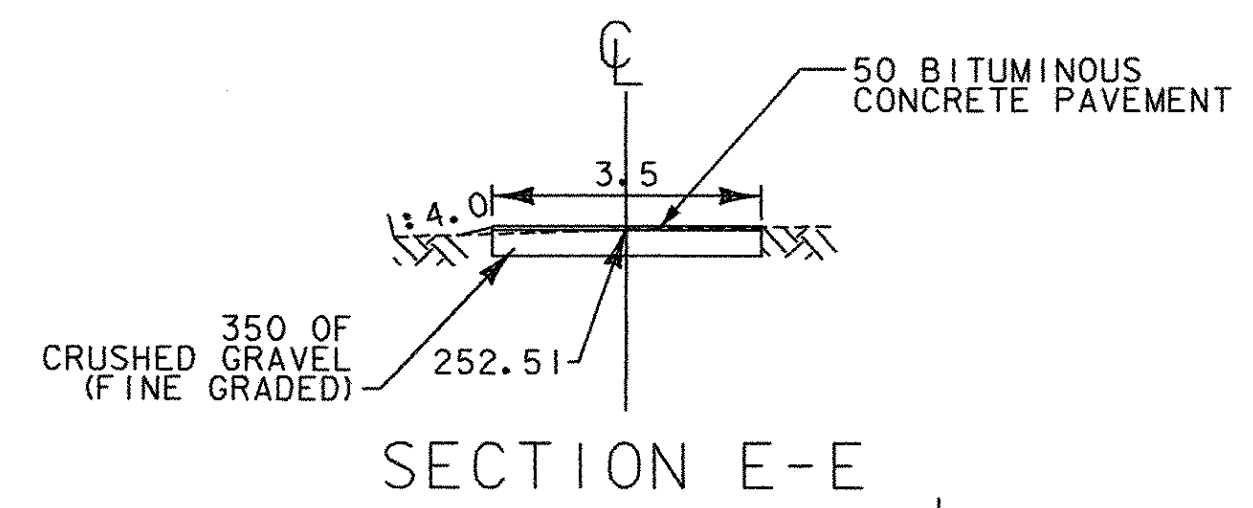
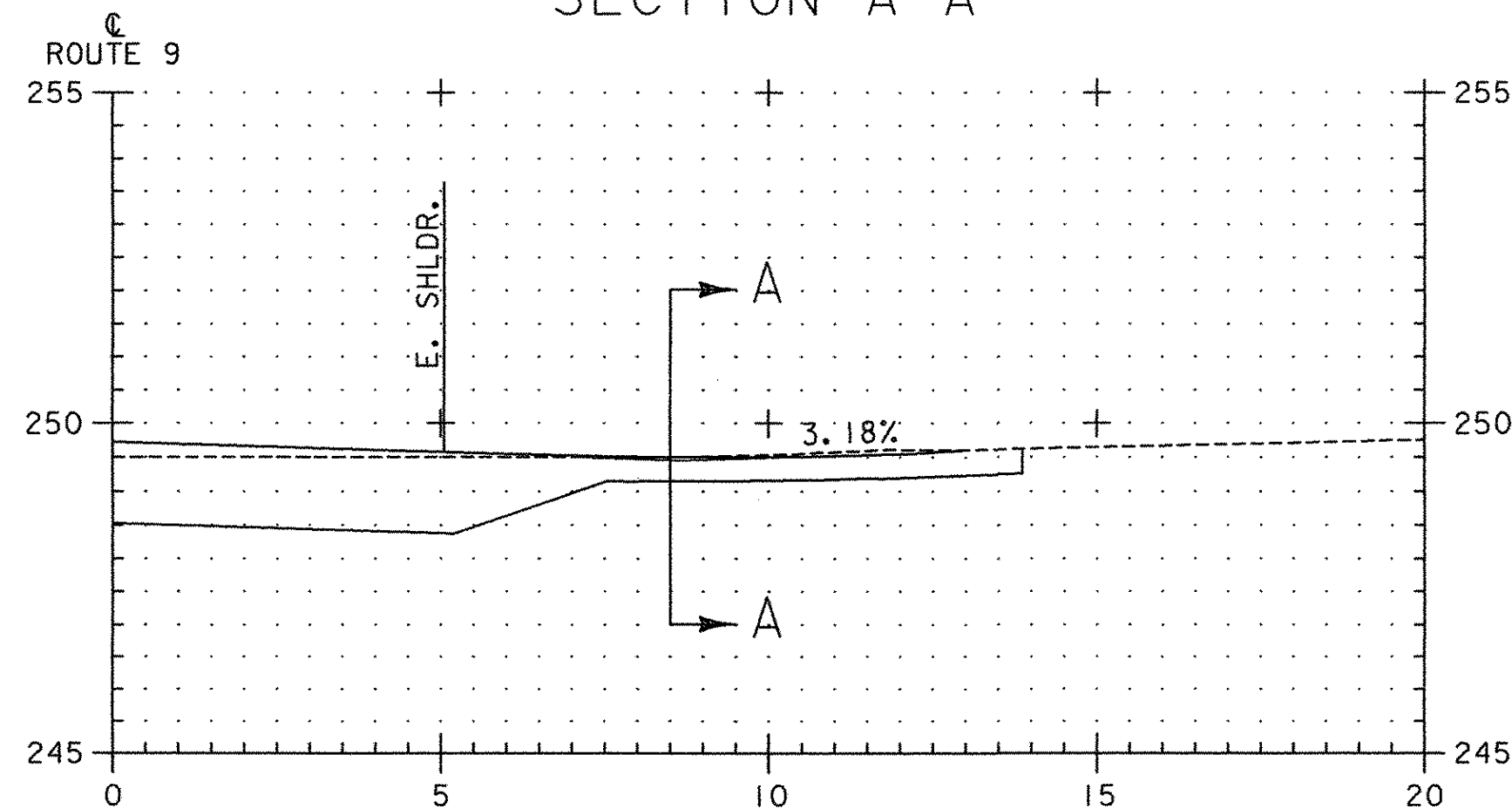
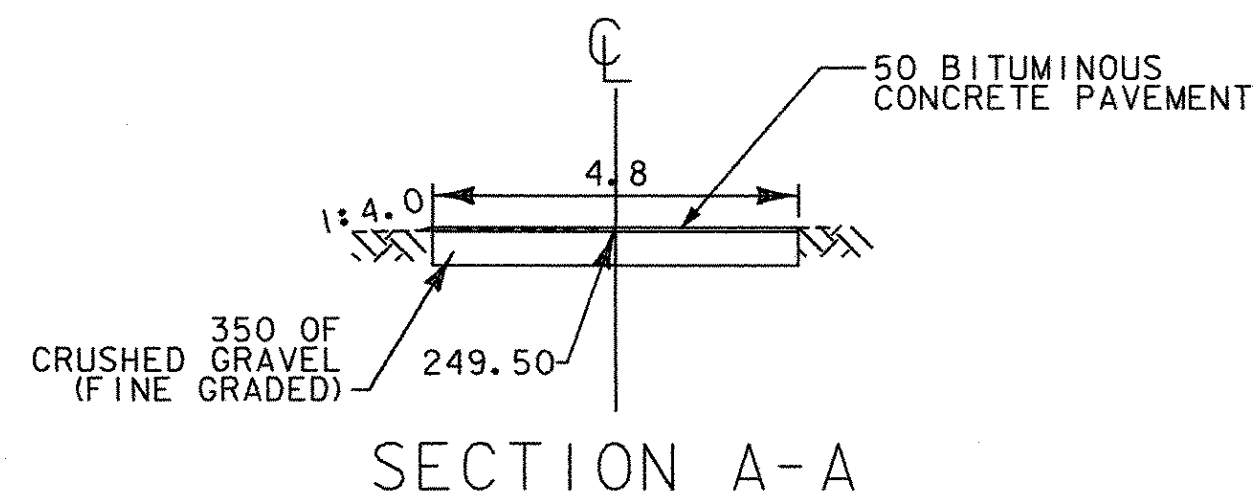


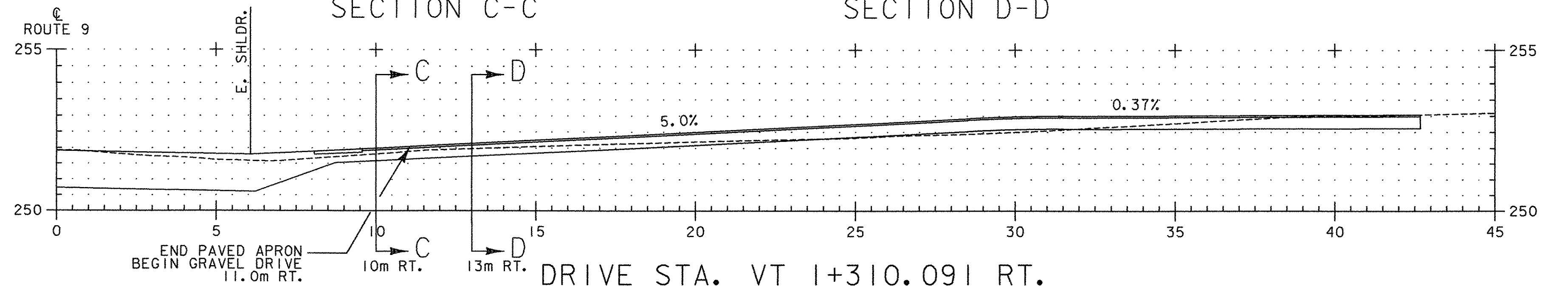
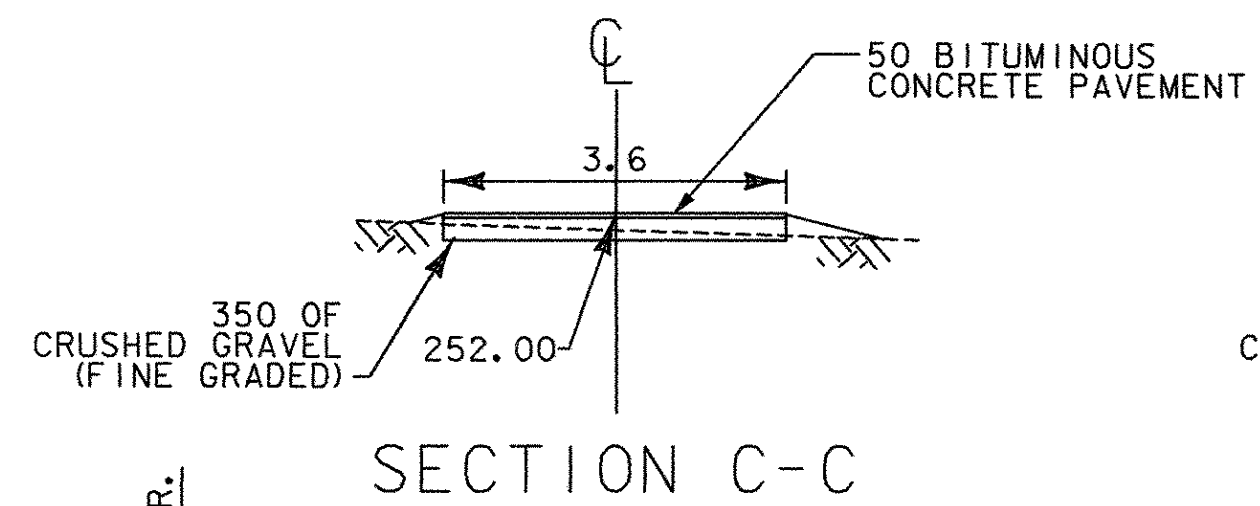
DRIVE STA. VT 1+253.381 LT.
(CVPS)



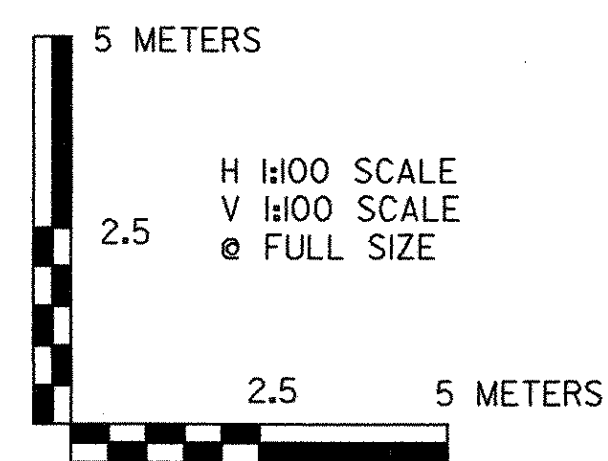
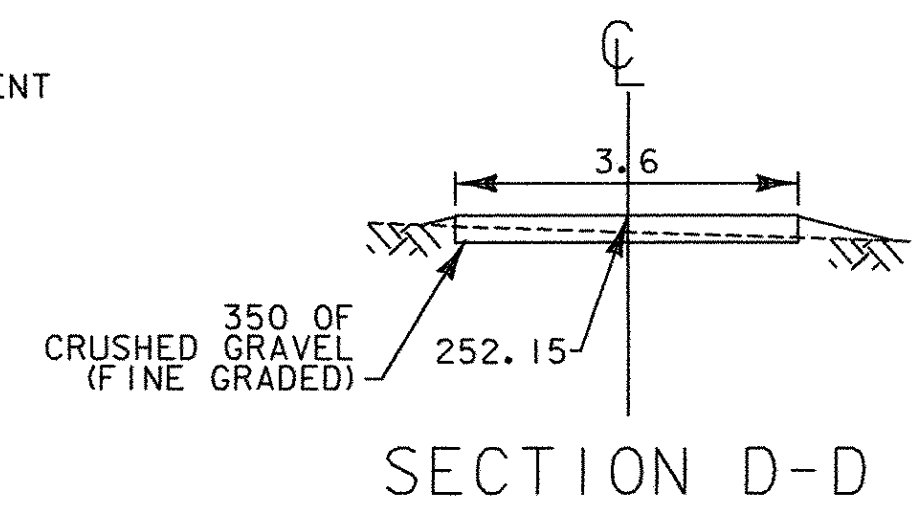
DRIVE STA 1+332.735, LT.
(SLEEMAN - 1)



DRIVE STA. VT 1+218.105 RT.
(BABCOCK)



DRIVE STA. VT 1+310.091 RT.
(MAXFIELD)



VERMONT AGENCY OF TRANSPORTATION



PROJECT NAME: BENNINGTON
 PROJECT NUMBER: AC NH 019-1(51)
 FILE NAME: ...plot files\zd307cxs.rt9.ppf PLOT DATE: 1/29/2009
 DESIGN SUPERVISOR: GREG EDWARDS DRAWN BY: STANTEC
 DESIGNED BY: MARC FOISY CHECKED BY: GARY SANTY
ROUTE 9 CROSS SECTIONS VTX-18 SHEET 354 OF 367

v:\N951\011ve\N9510002\transportation\drawing\contract\plot files\z307cxs.rt9.ppf