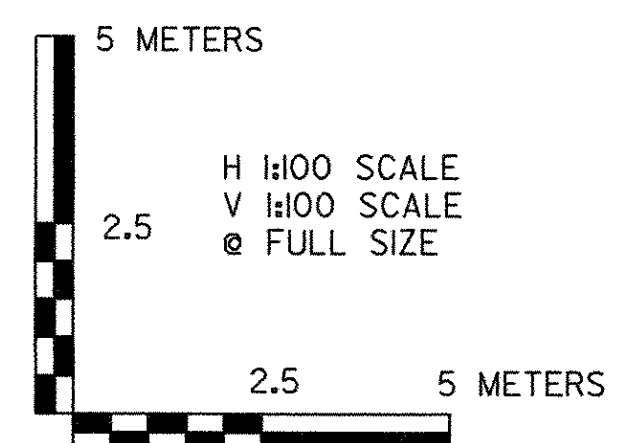


NOTE:  
SEE SHEETS VTX 18-24  
FOR DRIVE DETAILS



VERMONT AGENCY OF TRANSPORTATION



PROJECT NAME: BENNINGTON  
PROJECT NUMBER: AC NH 019-1(51)

FILE NAME: ...plot files\zd307cxs.r19.ptf PLOT DATE: 1/29/2009  
DESIGN SUPERVISOR: GREG EDWARDS DRAWN BY: STANTEC  
DESIGNED BY: MARC FOISY CHECKED BY: GARY SANTY  
ROUTE 9 CROSS SECTIONS VTX-12 SHEET 348 OF 367

V:\1953\active\1953\002A Transportation\Drawing\cont\cont1\plot\_files\zd307cxs.r19.ptf