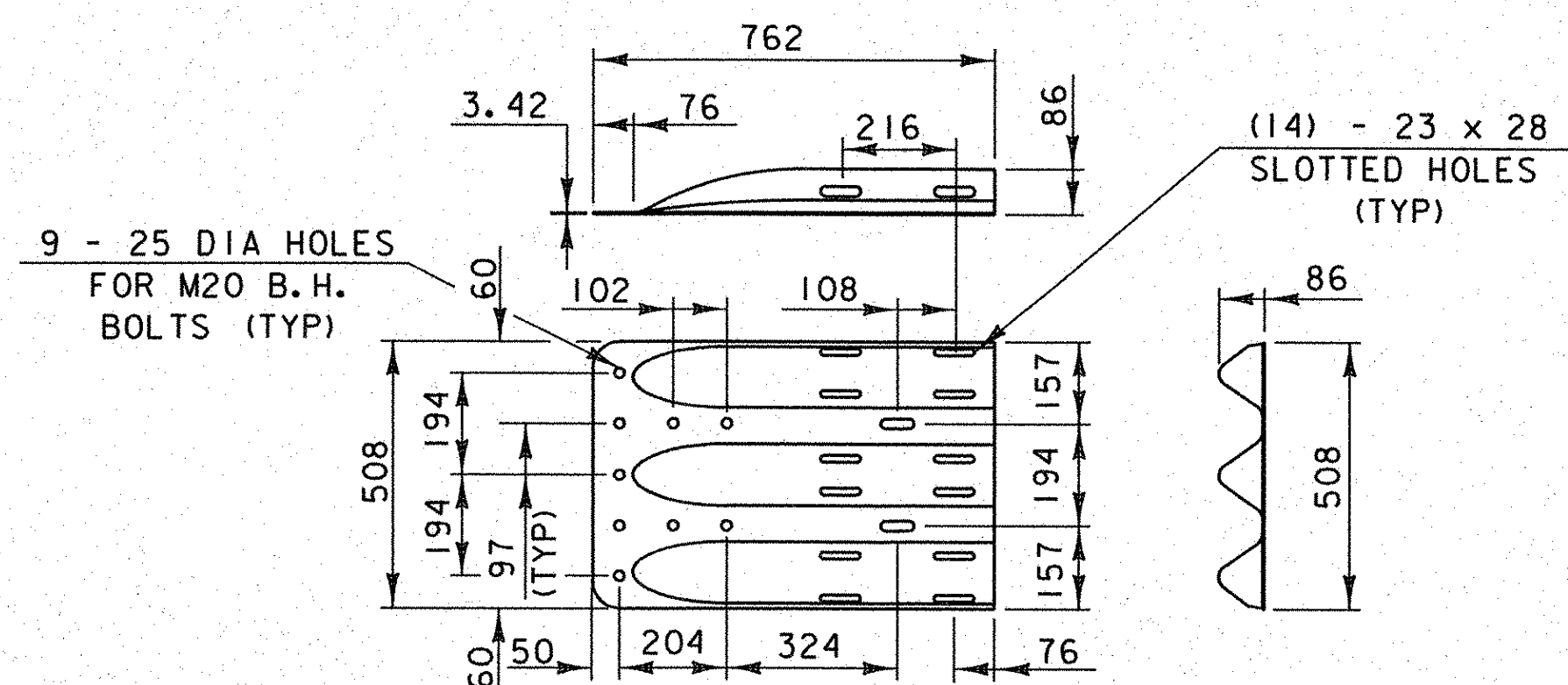
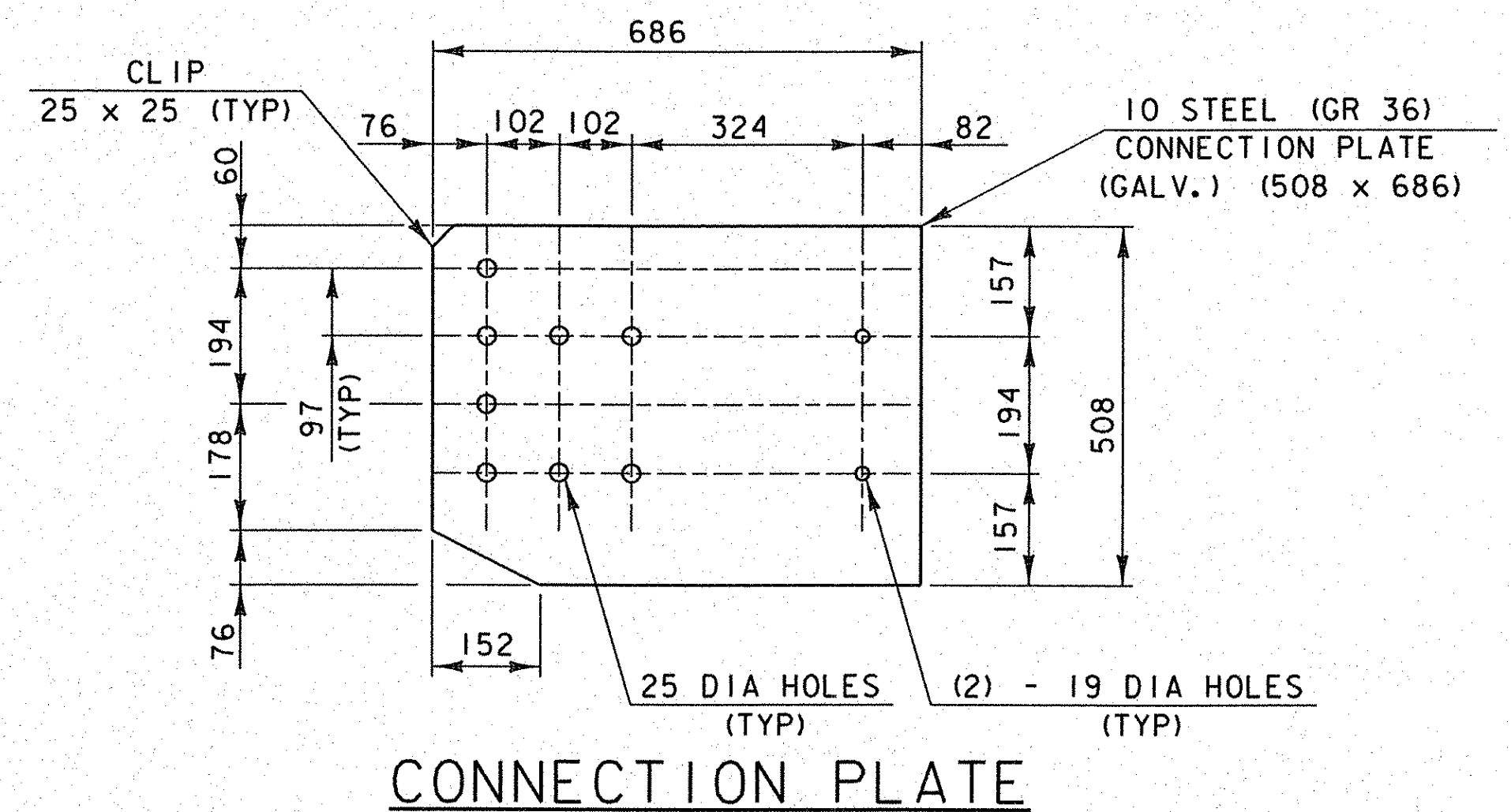


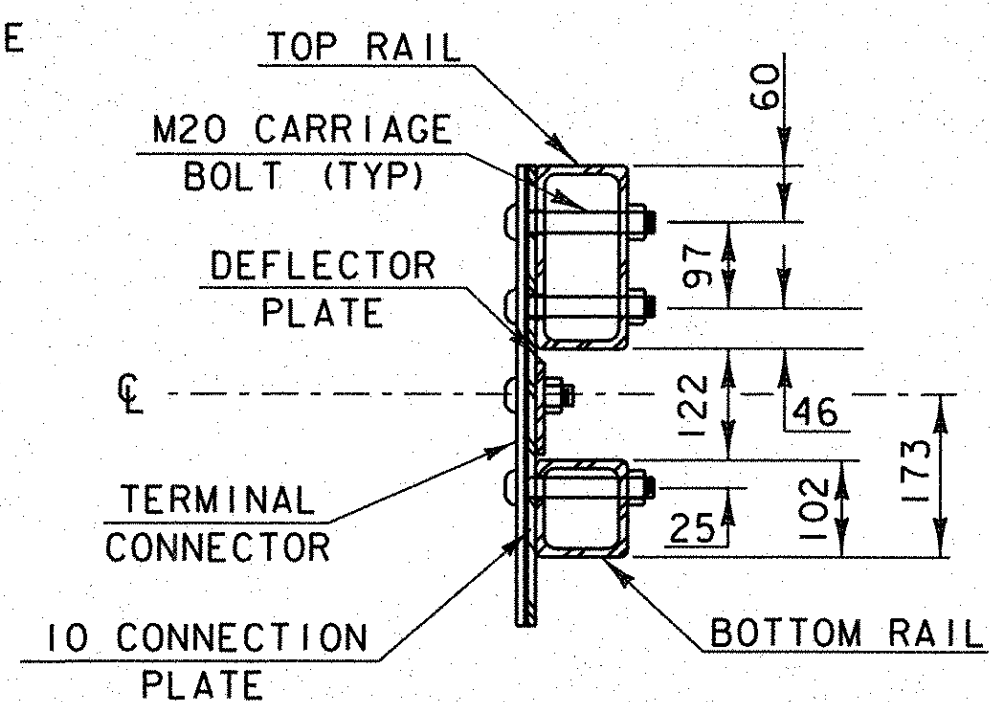
WOOD POST-RAIL ASSEMBLY



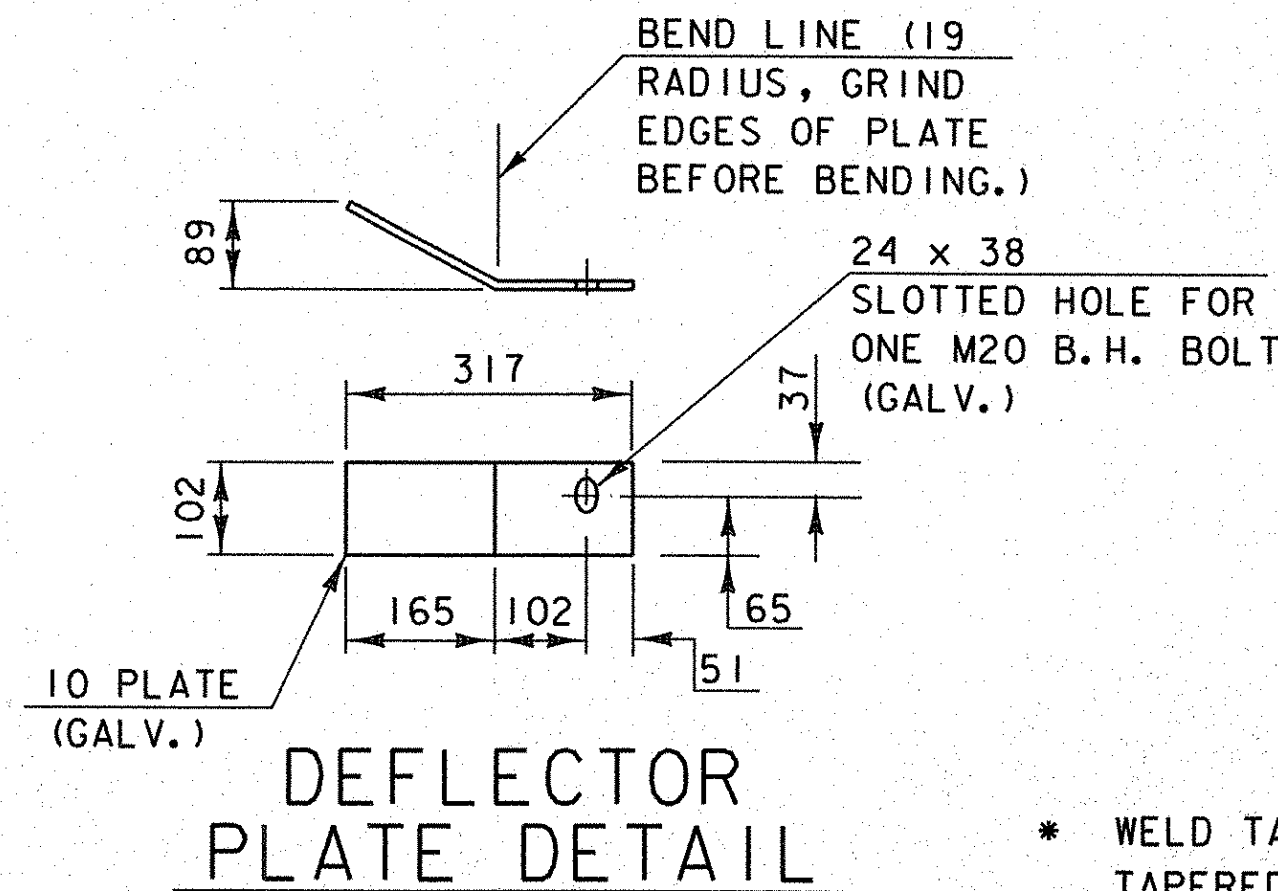
THRIE-BEAM TERMINAL CONNECTOR (HM-TF-13/RE-67)



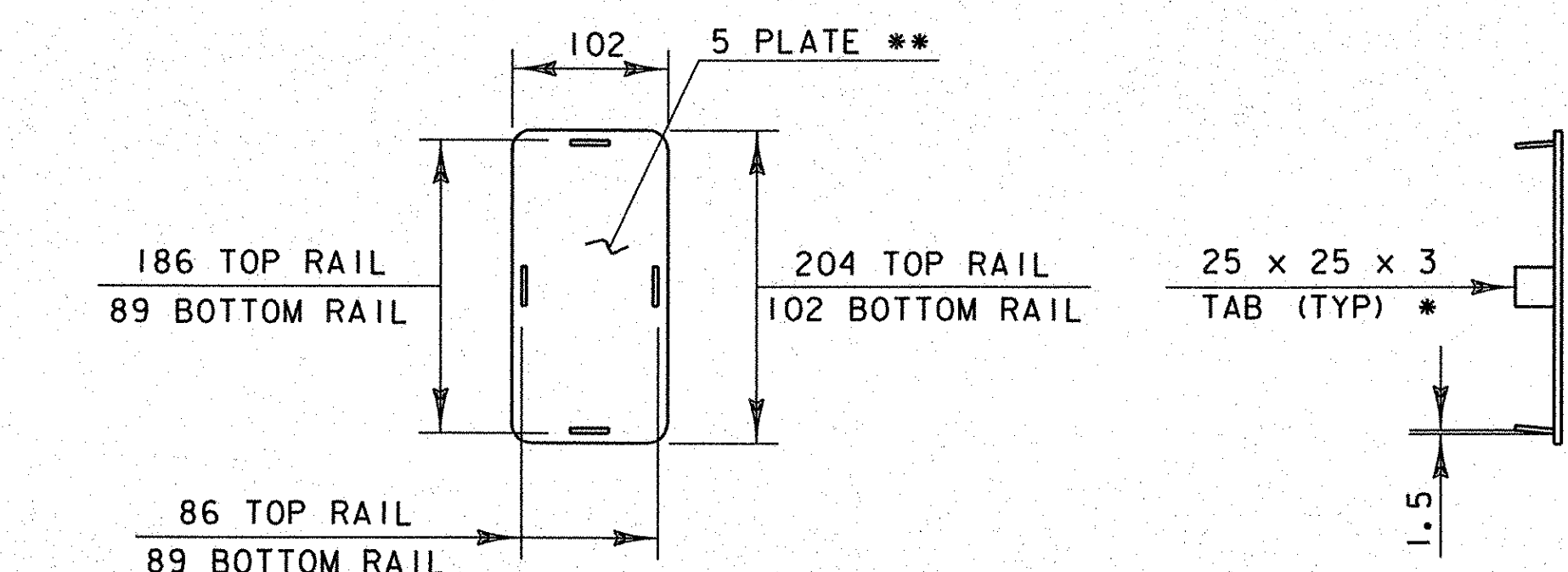
CONNECTION PLATE



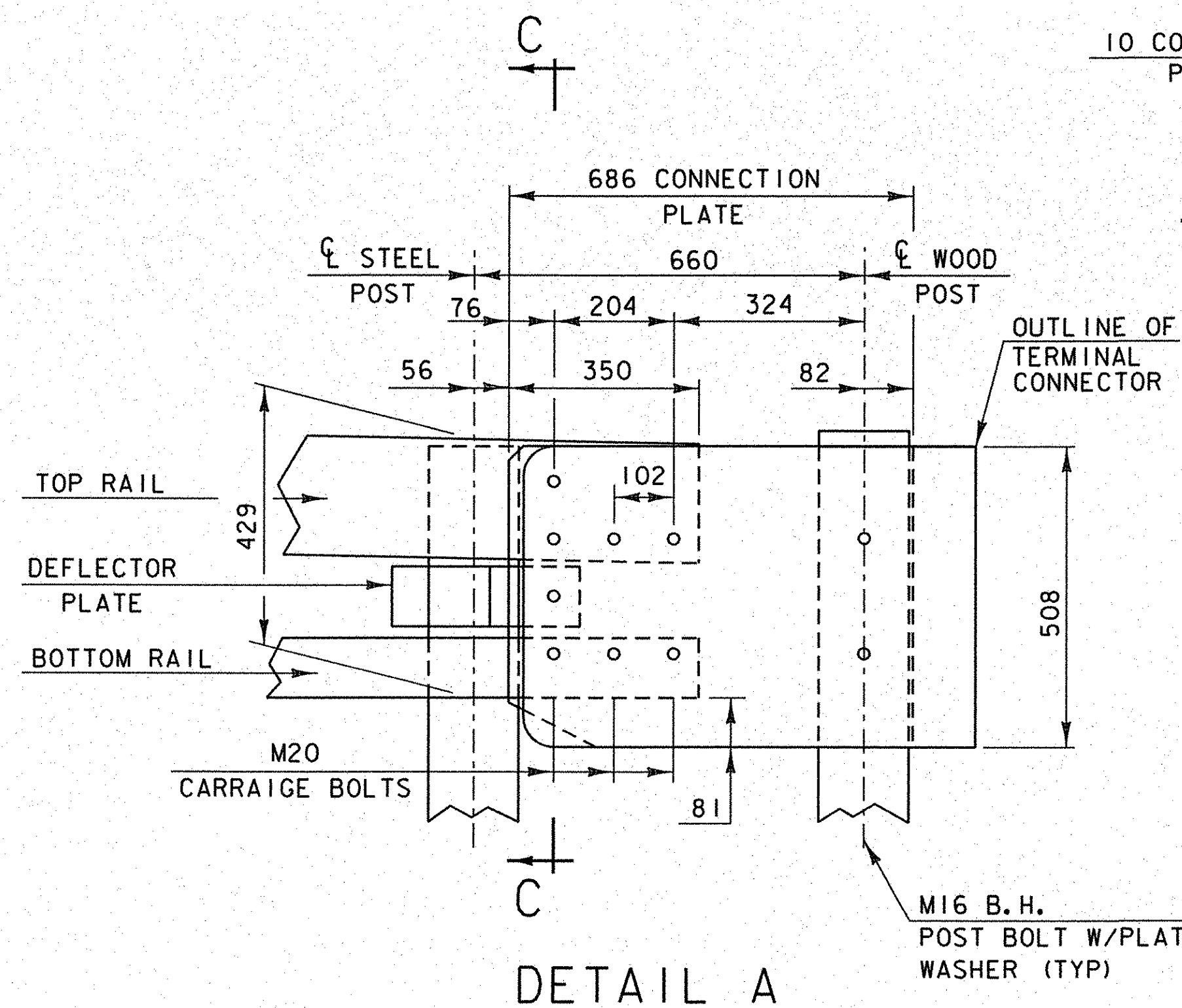
SECTION C-C (CONNECTION PLATE)



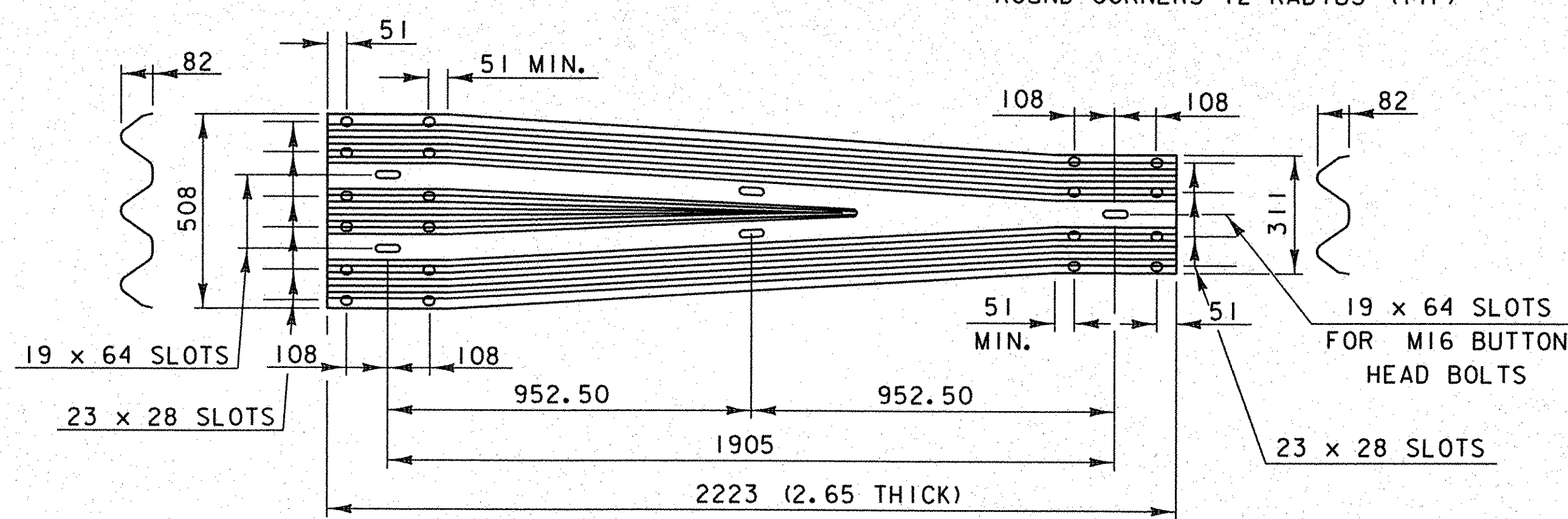
DEFLECTOR PLATE DETAIL



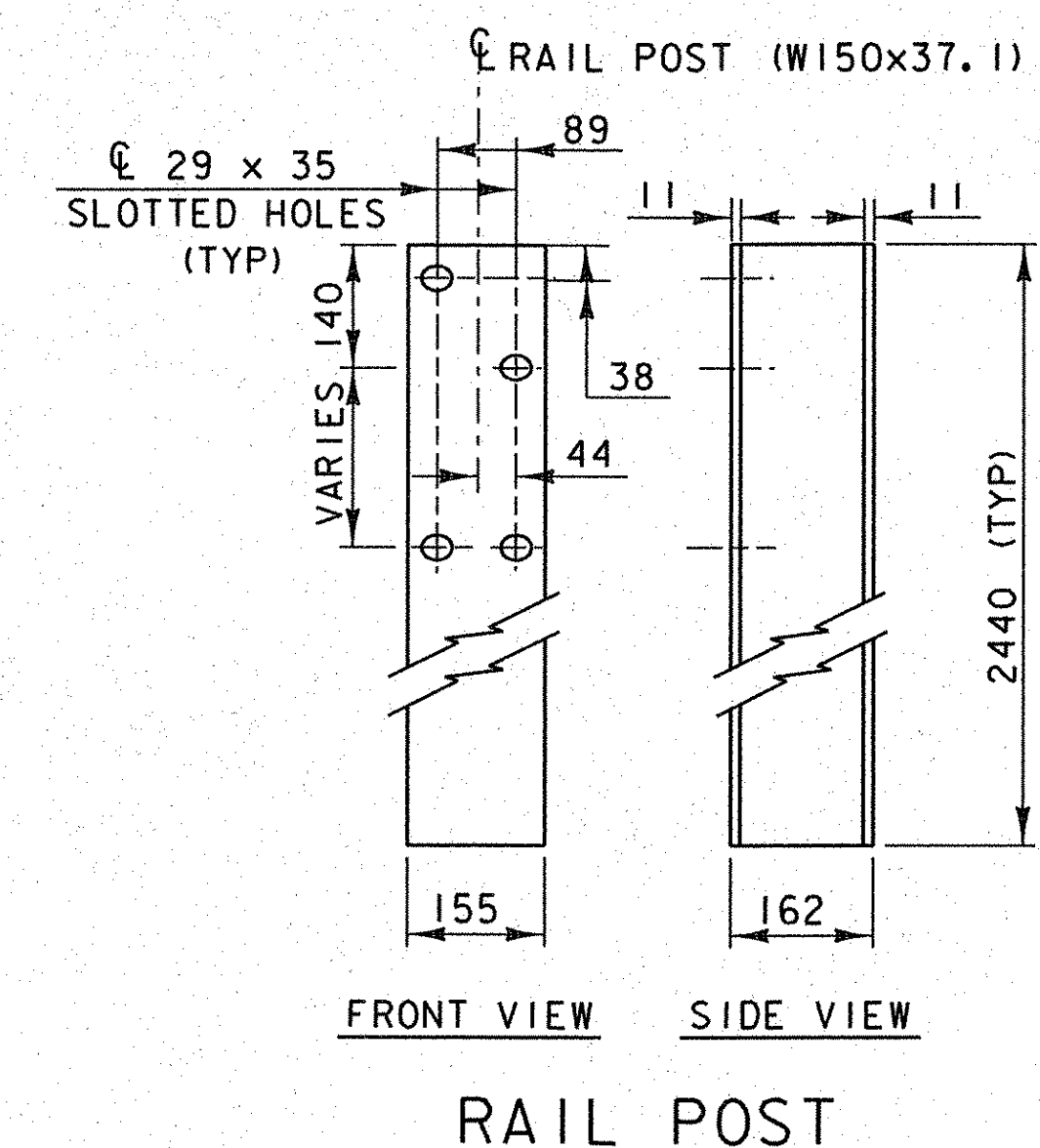
END CAP DETAIL



DETAIL A

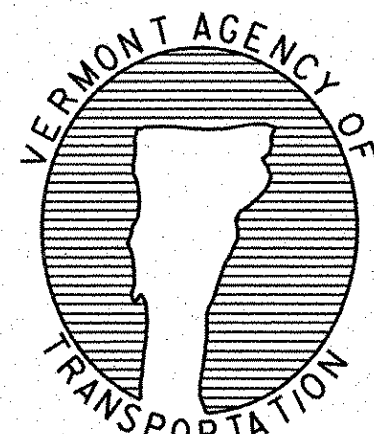


THRIE-BEAM TO STD SB TRANSITION SECTION (HM-TF-13/RE-69)



RAIL POST

- \* WELD TABS TO END CAP PLATE IN TAPERED POSITION SO CAP CAN BE JAMMED INTO END OF RAIL TUBE.
- \*\* ROUND CORNERS 12 RADIUS (TYP)



DETAIL BR3M

BRIDGE RAILING - NETC 2 RAIL - THRIE BEAM APPROACH RAIL

Town Of	BENNINGTON	Bridge No.	B15, B15N, B15S
Highway No.	VT RTE 279	Log Sta.	
		Surv. Sta.	
VT ROUTE 279 & RAMPS OVER ROARING BRANCH OF WALLOOMSAC RIVER			
<b>BRIDGE RAILING - NETC 2 RAIL - THRIE BEAM RAIL</b>			
Designed By	VAOT	Drawn By	VAOT
Checked By	VAOT	Bridge Design Supervisor	VAOT
PROJECT	BENNINGTON	PROJECT NO.	AC NH 019-(151)
TVGA CAD Drawing No.	AppGR3.dgn	Date	02/02/2009
Bridge Sheet No.	BR312	Sheet	299 of 367