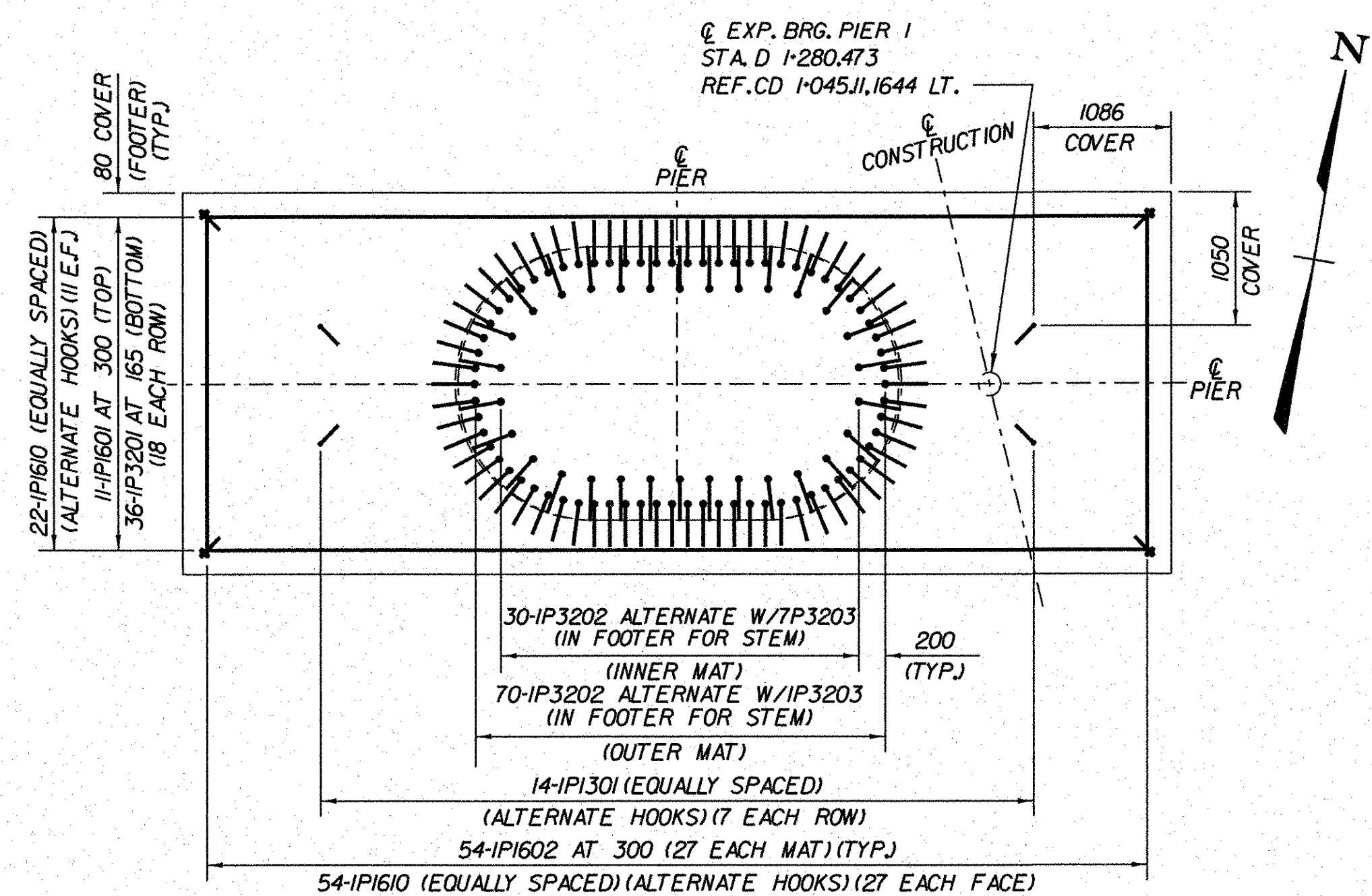
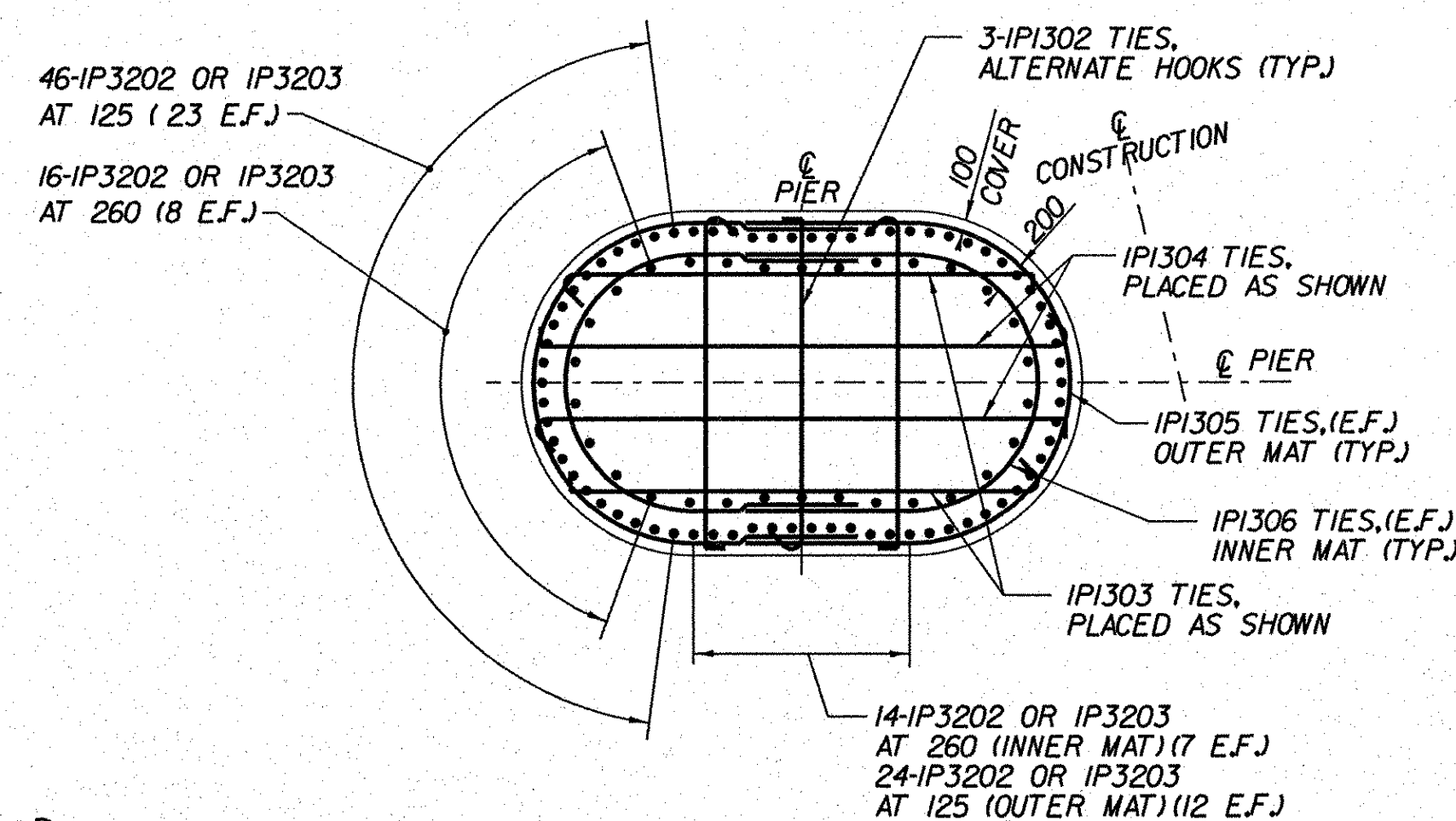


NOTES:

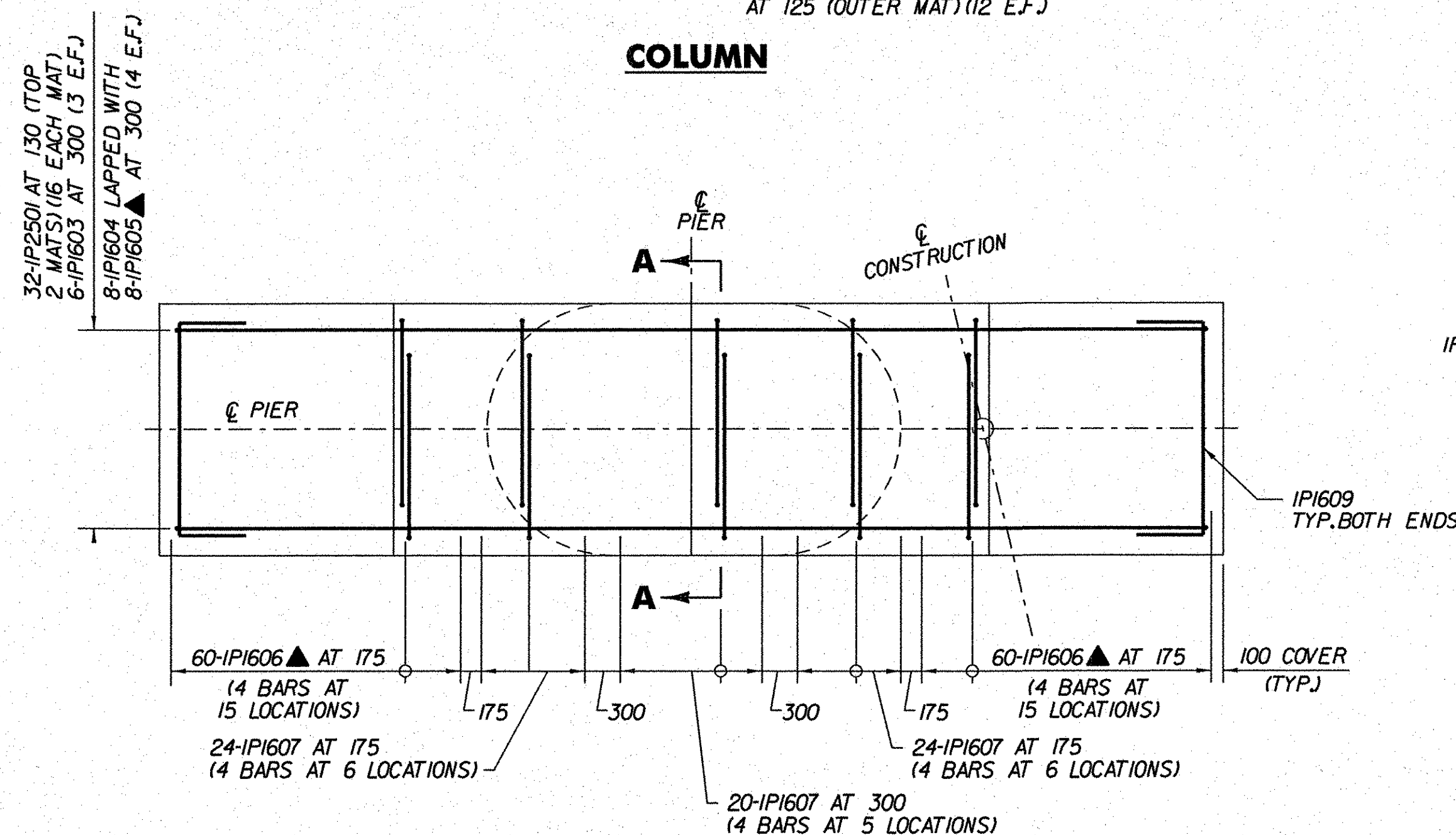
- 1. DRILLED SHAFT REINFORCEMENT NOT SHOWN FOR CLARITY. SEE BRIDGE SHEET BR300 FOR DETAILS.



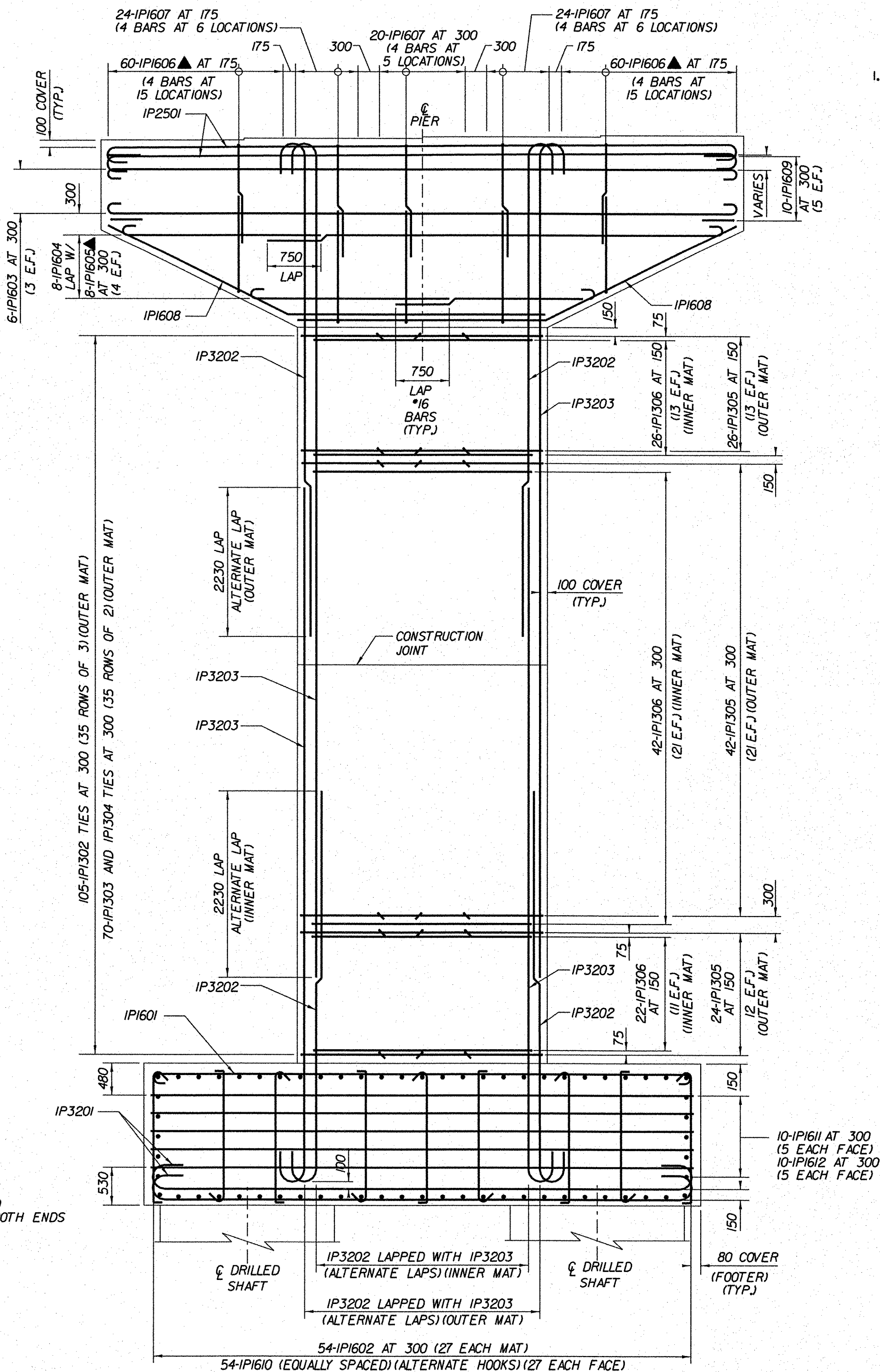
FOOTING



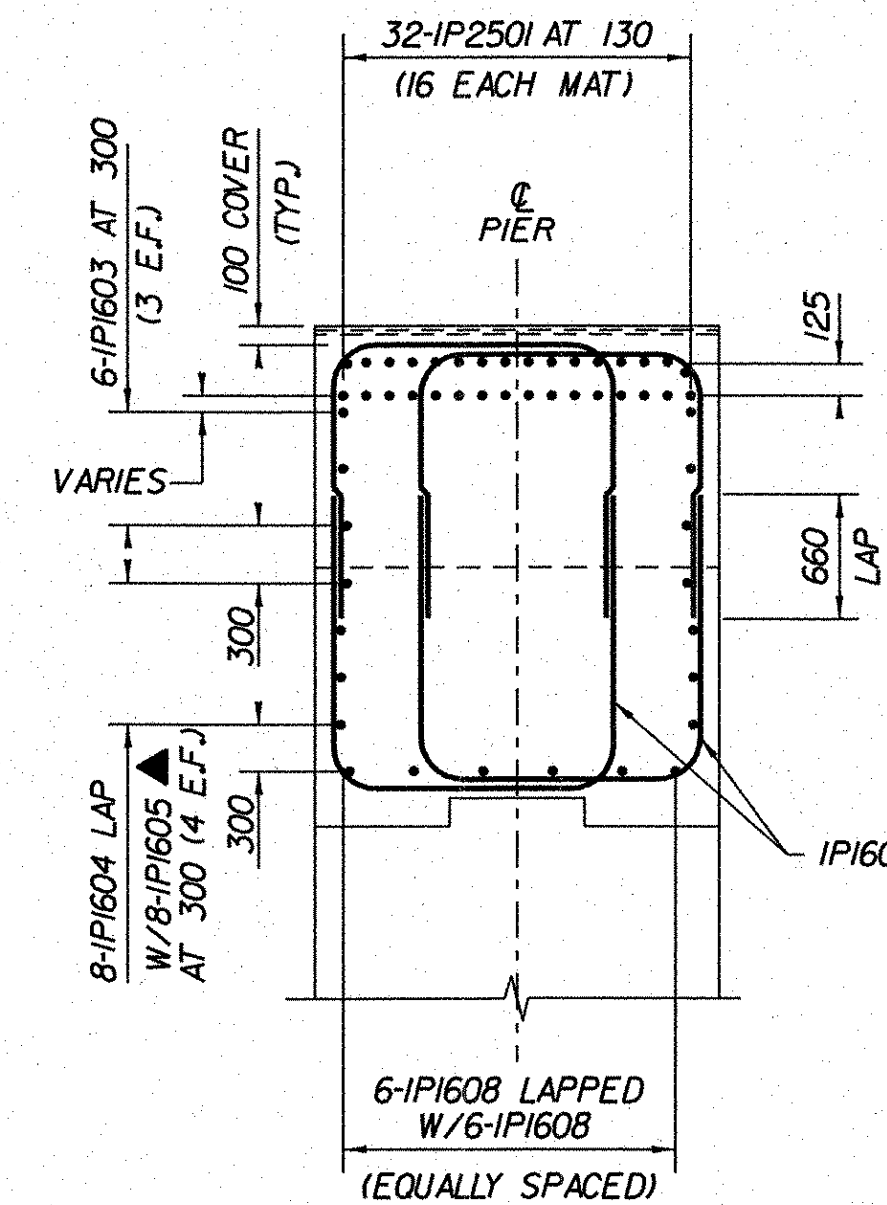
COLUMN



PIER CAP REINFORCEMENT PLANS
SCALE 1:40



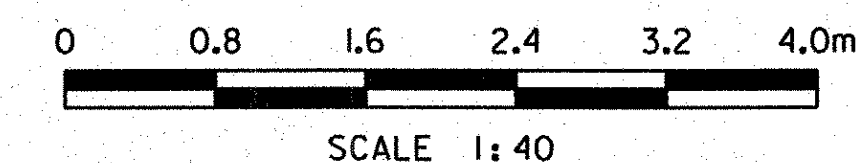
REINFORCEMENT ELEVATION
SCALE 1:40



SECTION A-A
SCALE 1:40

LEGEND:

- F.F. - FRONT FACE
- B.F. - BACK FACE
- E.F. - EACH FACE
- C.B. - CORNER BAR
- C.J. - CONSTRUCTION JOINT
- ▲ - CUT TO FIT IN FIELD



STATE OF VERMONT AGENCY OF TRANSPORTATION

Town Of	BENNINGTON	Bridge No.	B15N
Highway No.	VT RTE 279	Log Sta.	
		Surv. Sta.	
VT ROUTE 279 & RAMPS OVER ROARING BRANCH OF WALLOOBSAC RIVER			
PIER 1 REINFORCEMENT (RAMP D)			
Designed By	B.J. CARLSON	Drawn By	R.G. COCOL
Checked By	K.M. WOJTKOWSKI	Date	06/08
		Bridge Design Supervisor	K.M. WOJTKOWSKI
		Date	06/08
PROJECT	BENNINGTON	PROJECT NO.	AC NH 019-1(51)
		Date	02/02/2009
TVGA CAD Drawing No.	RampDPIReb.dgn	Bridge Sheet No.	BR297
		Sheet	284 of 367