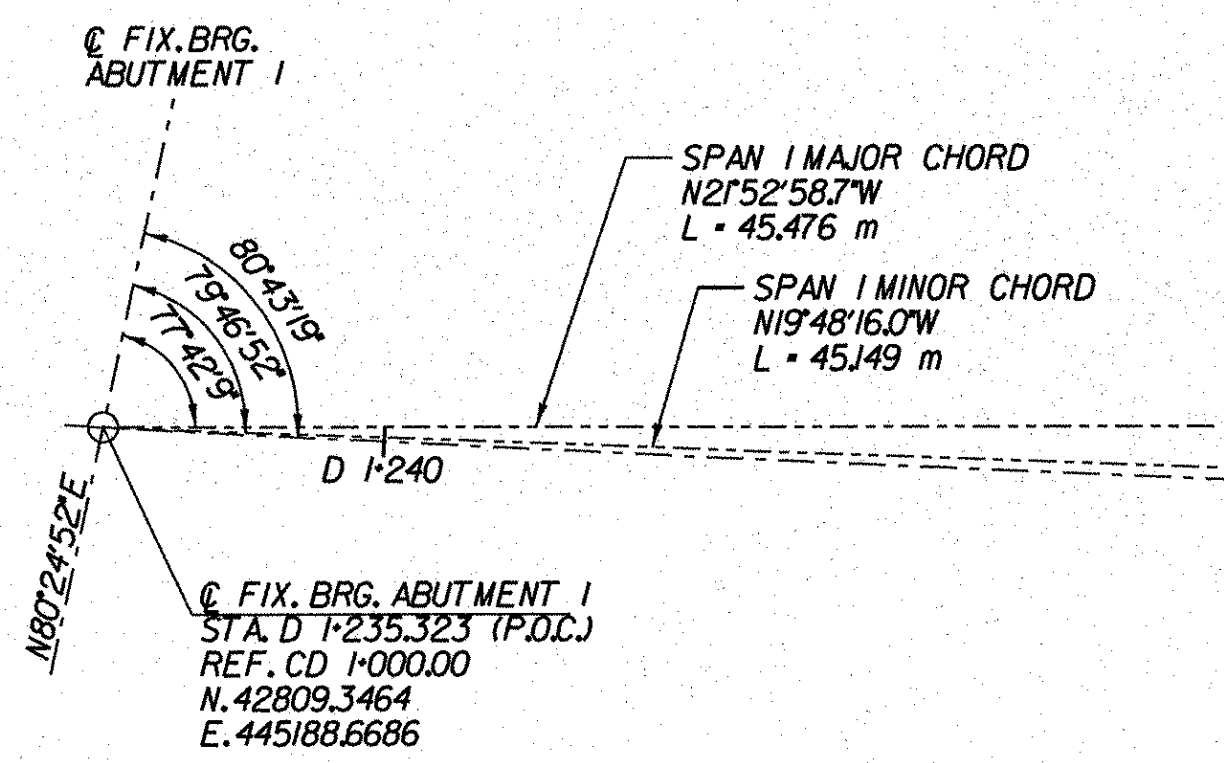
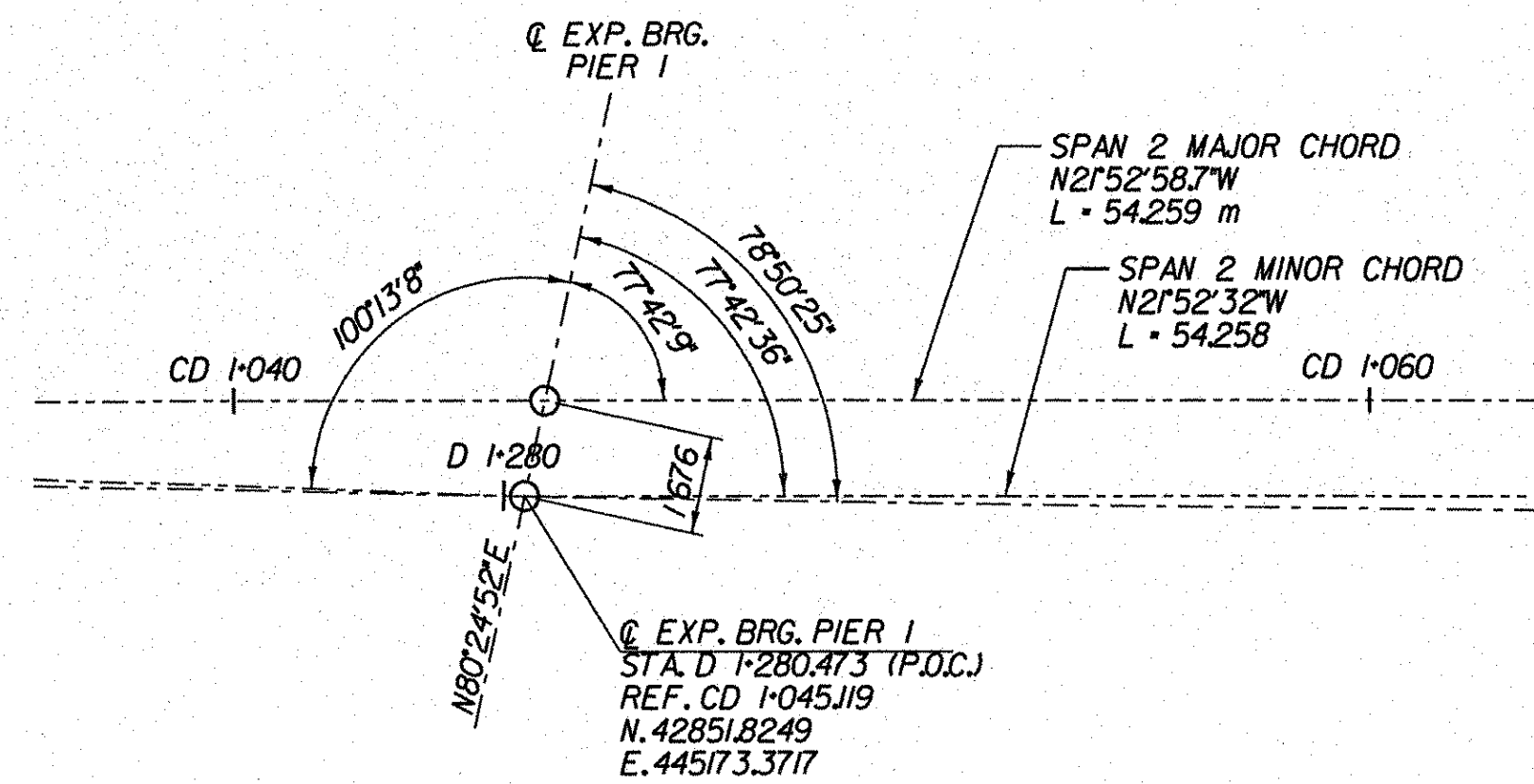


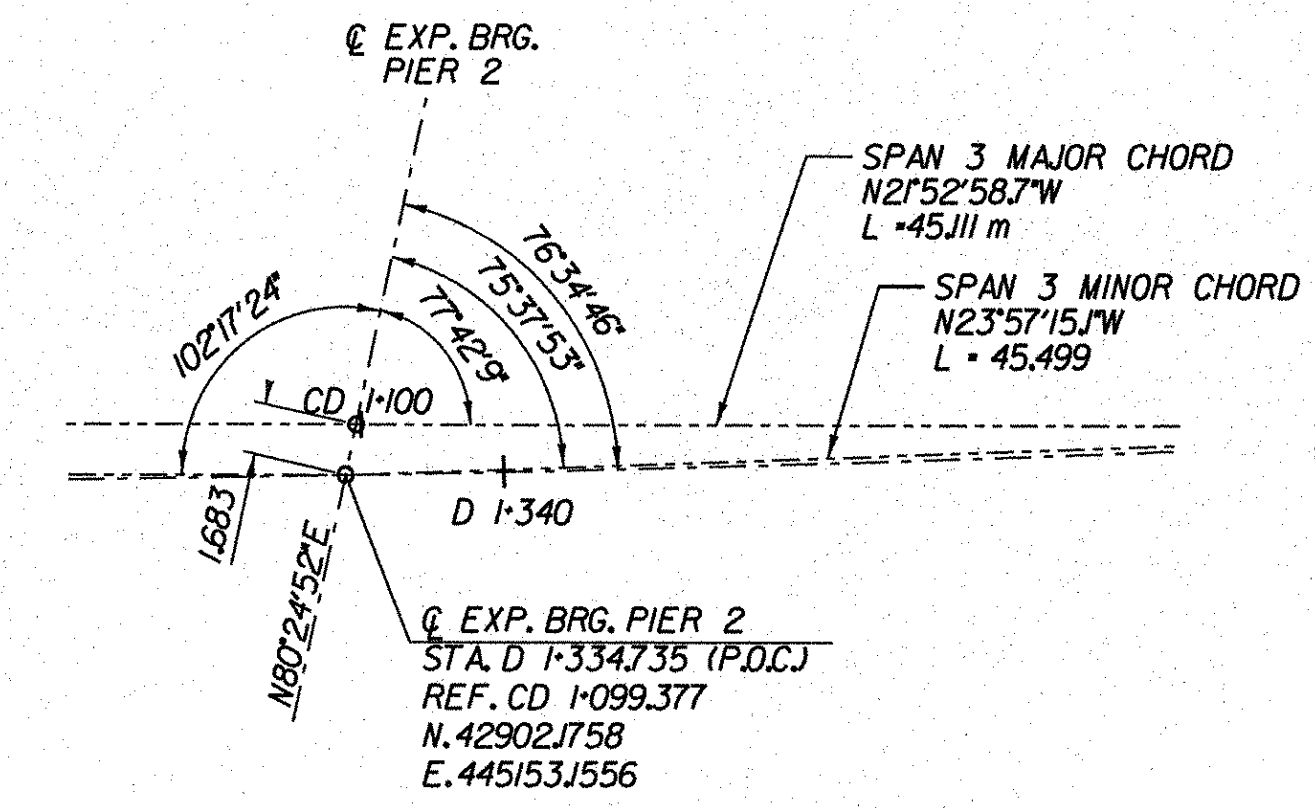
CA CURVE DATA - @ CONST.
 Delta = 13°35'37.7"
 R = 1375.000 m
 T = 163.883 m
 L = 326.228 m
 E = 97.32 m



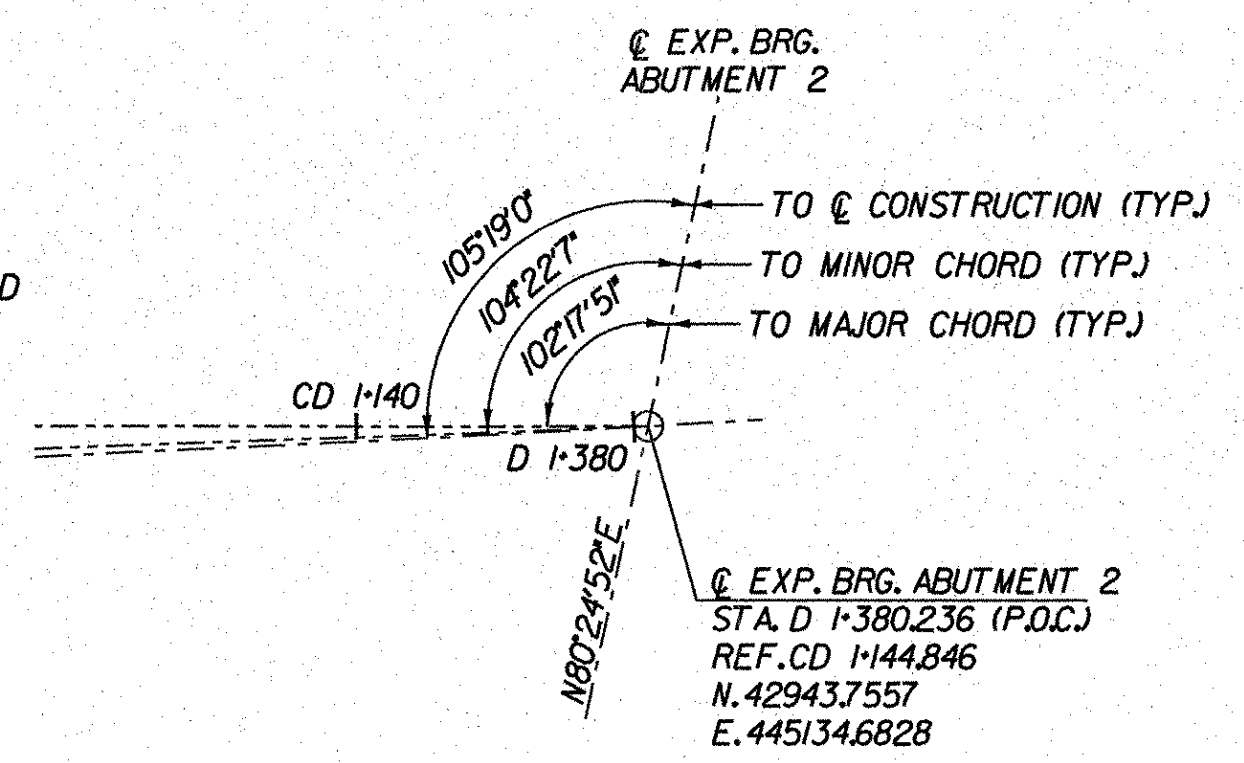
ABUTMENT 1
NOT TO SCALE



PIER 1
NOT TO SCALE



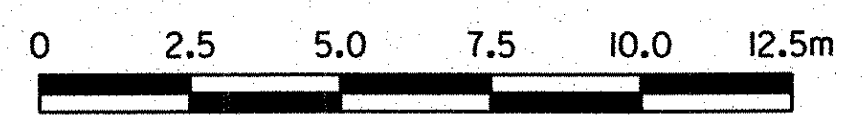
PIER 2
NOT TO SCALE



ABUTMENT 2
NOT TO SCALE

NOTES:

1. WORK THIS SHEET WITH FRAMING PLAN (SHEET 1 OF 2) (RAMP D), BRIDGE SHEET BR285.



SCALE 1:125

**STATE OF VERMONT
AGENCY OF TRANSPORTATION**

| | | | |
|--|--------------|--------------------------|----------------|
| Town Of | BENNINGTON | Bridge No. | B15N |
| Highway No. | VT 279 | Log Sta. | |
| | | Surv. Sta. | |
| VT ROUTE 279 & RAMPS OVER ROARING BRANCH OF WALLOOMSAC RIVER | | | |
| FRAMING PLAN (SHEET 2 OF 2) (RAMP D) | | | |
| Designed By | J.J. MANUSE | Drawn By | D.S. URBINO |
| Checked By | Date | Bridge Design Supervisor | |
| B.J. CARLSON | 06/08 | K.M. WOJTKOWSKI | Date 06/08 |
| PROJECT | BENNINGTON | PROJECT NO. | AC NH 019-(K1) |
| TVGA CAD Drawing No. | RmpDFrm2.dgn | Date | 02/02/2009 |
| Bridge Sheet No. | BR286 | Sheet | 273 of 367 |