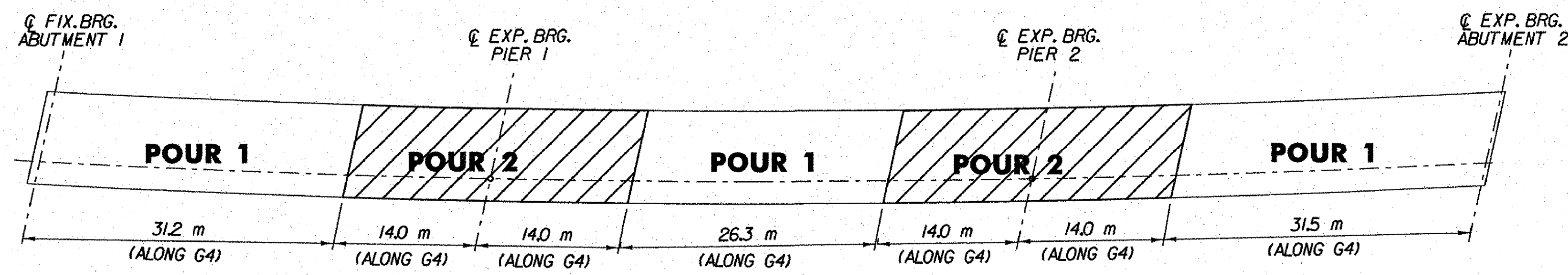


**DECK REINFORCEMENT PLAN**

SCALE 1:200



**DECK POUR SEQUENCE**

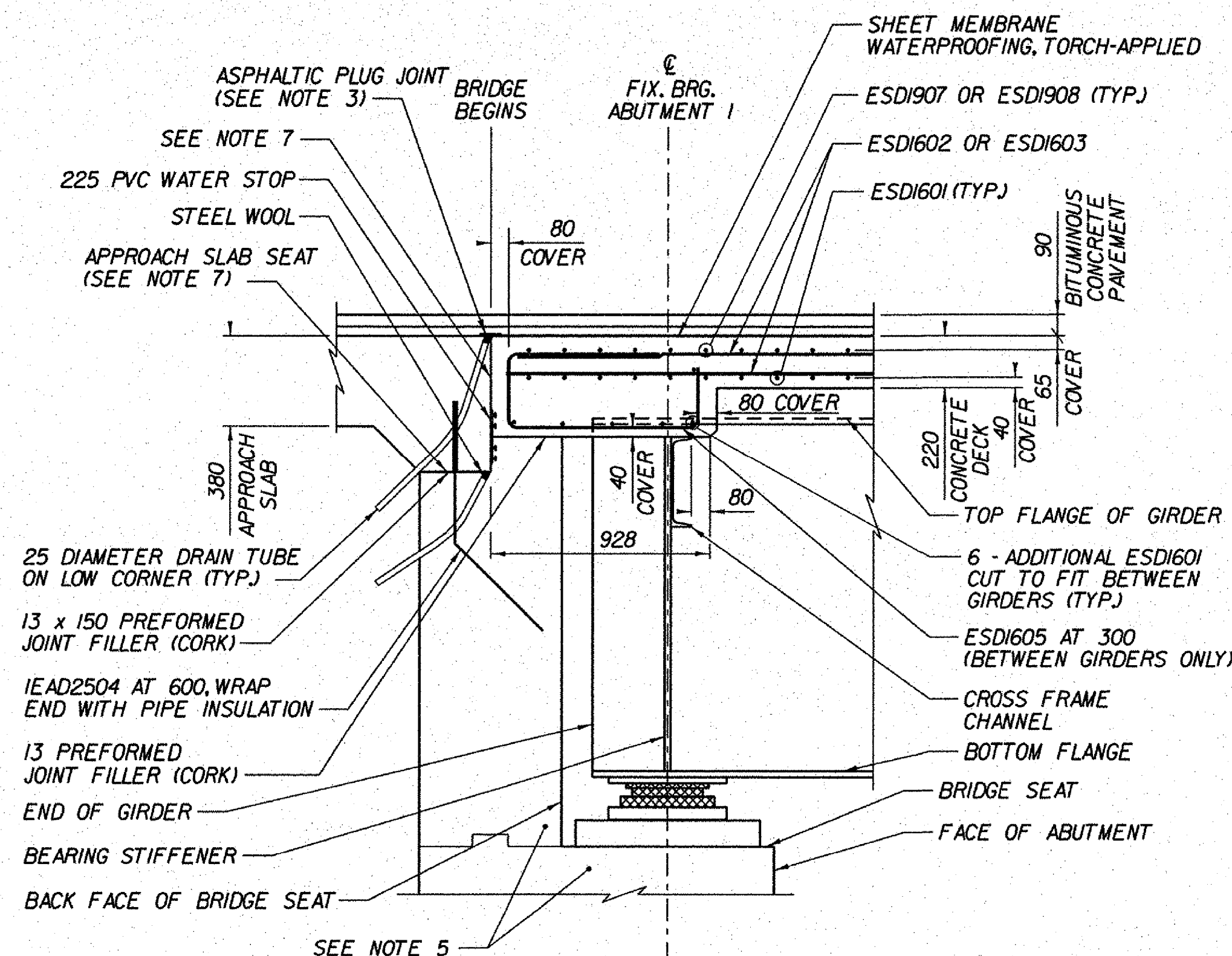
NOT TO SCALE

**DECK SLAB PLACEMENT NOTES:**

- A. EACH CONCRETE DECK POUR SHALL BE PLACED CONTINUOUSLY WITHIN ONE EIGHT-HOUR WORKING DAY. THERE SHALL BE A MINIMUM DELAY PERIOD OF 96 HOURS AFTER COMPLETION OF EACH POUR BEFORE BEGINNING ANOTHER POUR. INDIVIDUAL POUR NUMBERS AS SHOWN MAY BE COMBINED INTO A SINGLE POUR IF APPROVED BY THE VAOT STRUCTURES ENGINEER.
- B. THE DECK CONCRETE SHALL BE RETARDED SUFFICIENTLY TO REMAIN PLASTIC UNTIL EACH POUR IS COMPLETE. THE QUANTITY OF RETARDANT SHALL BE APPROVED BY THE ENGINEER PRIOR TO PLACEMENT. ANY DEVIATIONS FROM THIS PROCEDURE MUST BE APPROVED BY THE VAOT STRUCTURES ENGINEER IN WRITING BEFORE THE POUR BEGINS.

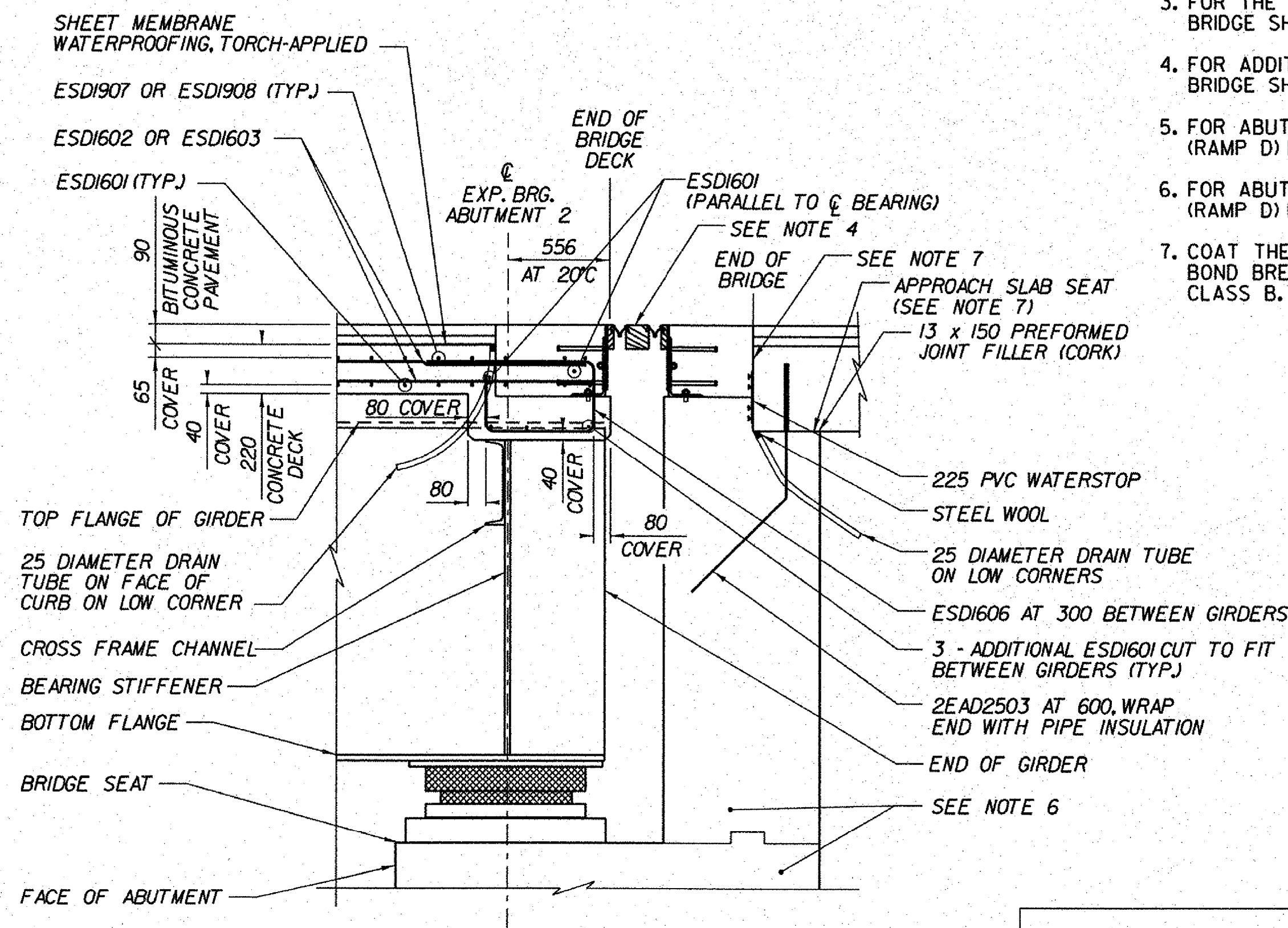
**NOTES:**

1. THE QUANTITY OF ESD1604 BARS SHOWN DOES NOT INCLUDE THE THREE (3) ADDITIONAL BARS REQUIRED BELOW THE BRIDGE RAIL POSTS. FOR DETAILS OF THE REQUIRED STIRRUP SPACING, SEE NETC 2-RAIL SHEET BR310. FOR LOCATIONS OF THE BRIDGE RAIL POSTS, SEE CURB AND RAIL LAYOUT PLANS, BRIDGE SHEET BR284.
2. ABUTMENT AND APPROACH SLAB REINFORCEMENT NOT SHOWN FOR CLARITY.
3. FOR THE ASPHALTIC PLUG JOINT DETAIL, SEE TYPICAL BRIDGE DETAILS, BRIDGE SHEET BR305.
4. FOR ADDITIONAL INFORMATION ON MODULAR JOINT, SEE MODULAR JOINT PLAN, BRIDGE SHEET BR306.
5. FOR ABUTMENT REINFORCEMENT, SEE ABUTMENT 1 REINFORCEMENT DETAILS (RAMP D) BRIDGE SHEET BR291.
6. FOR ABUTMENT REINFORCEMENT, SEE ABUTMENT 2 REINFORCEMENT DETAILS (RAMP D) BRIDGE SHEET BR291.
7. COAT THE APPROACH SLAB SEAT AND APPROACH SLAB/DECK INTERFACE WITH BOND BREAKER. PAYMENT INCIDENTAL TO CONCRETE, HIGH PERFORMANCE CLASS B.



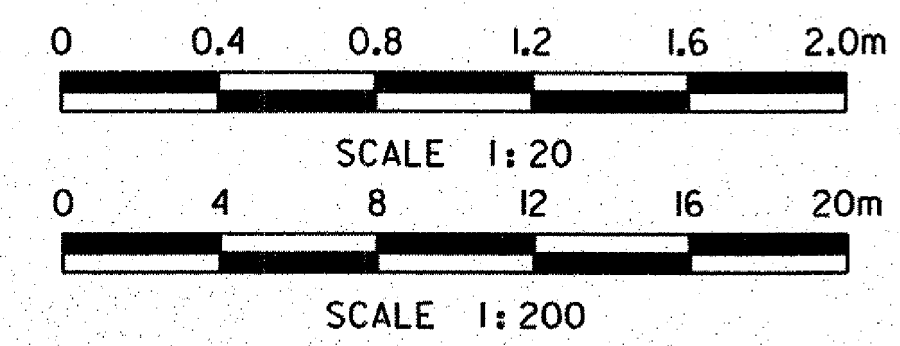
**SECTION A-A**

SCALE 1:20



**SECTION B-B**

SCALE 1:20



**STATE OF VERMONT AGENCY OF TRANSPORTATION**

Town Of	BENNINGTON	Bridge No.	BI5N
Highway No.	VT 279	Log Sta.	
		Surv. Sta.	
VT ROUTE 279 & RAMPS OVER ROARING BRANCH OF WALLOOMSAC RIVER			
<b>DECK REINFORCEMENT (RAMP D)</b>			
Designed By	J.J. MANUSE	Drawn By	D.W. SHAFFER
Checked By	B.J. CARLSON	Date	06/08
		Bridge Design Supervisor	K.M. WOJTKOWSKI Date 06/08
PROJECT	BENNINGTON	PROJECT NO.	AC NH 019-(51)
TVGA CAD Drawing No.	RampDDeck.dgn	Date	02/02/2009
Bridge Sheet No.	BR283	Sheet	270 of 367

