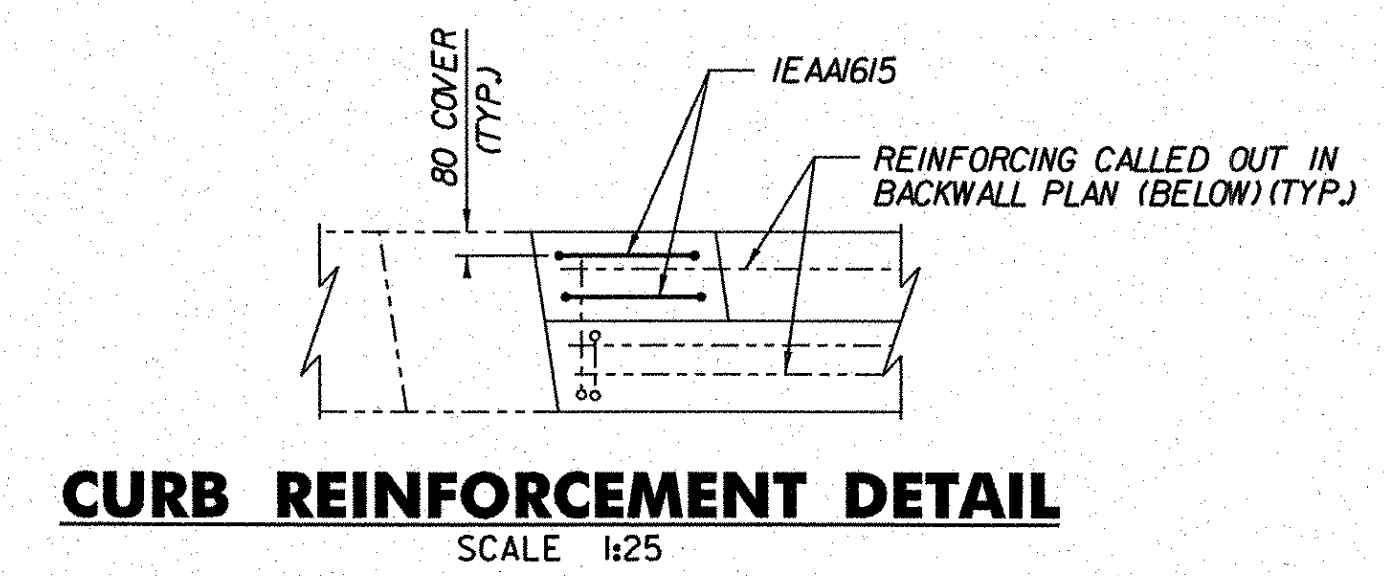
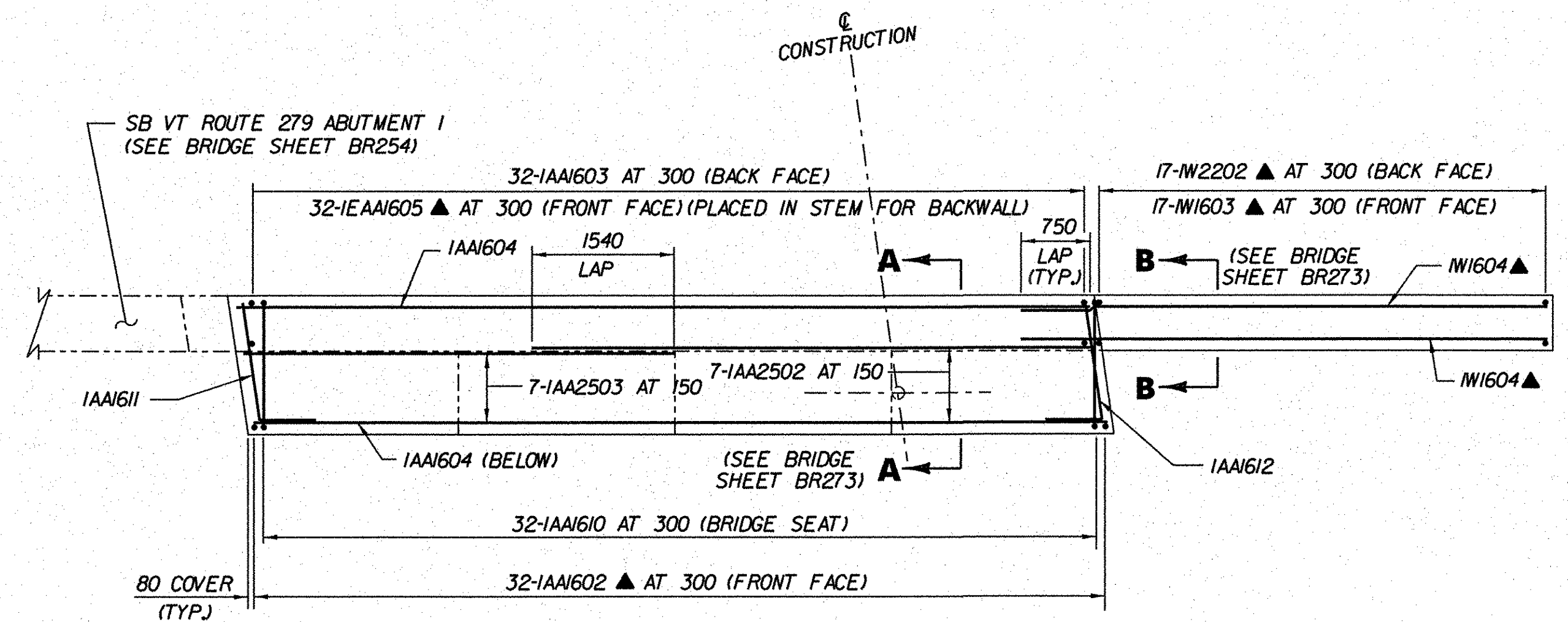


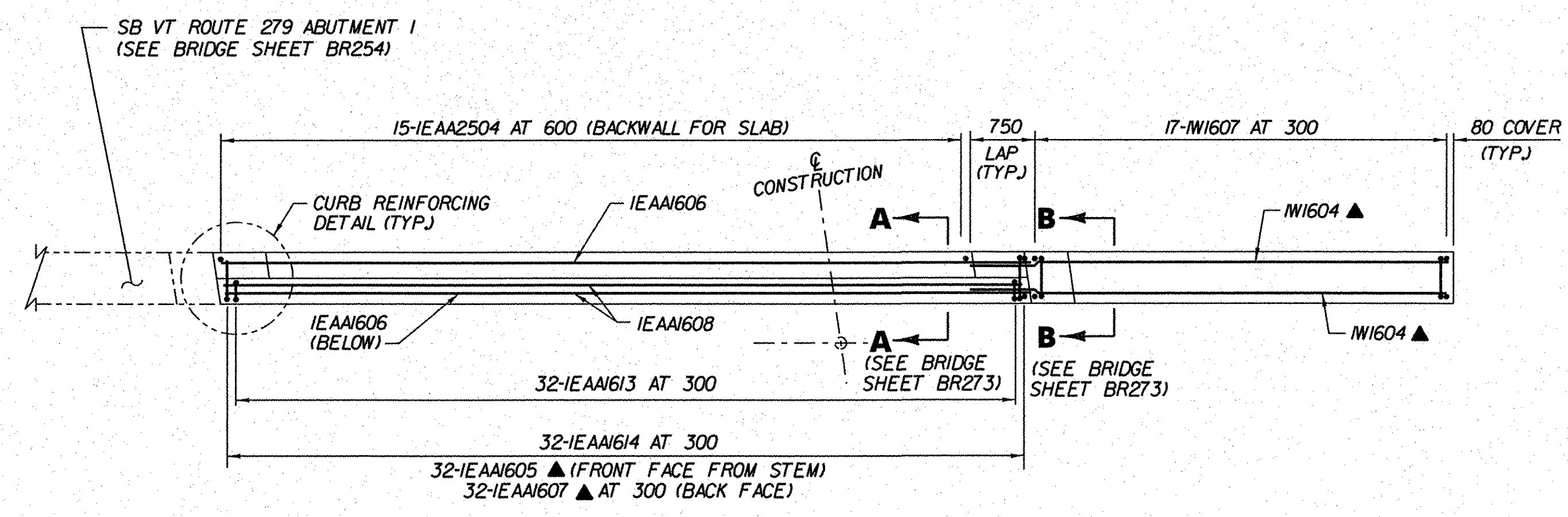
FOOTING REINFORCEMENT PLAN
SCALE 1:50



CURB REINFORCEMENT DETAIL
SCALE 1:25

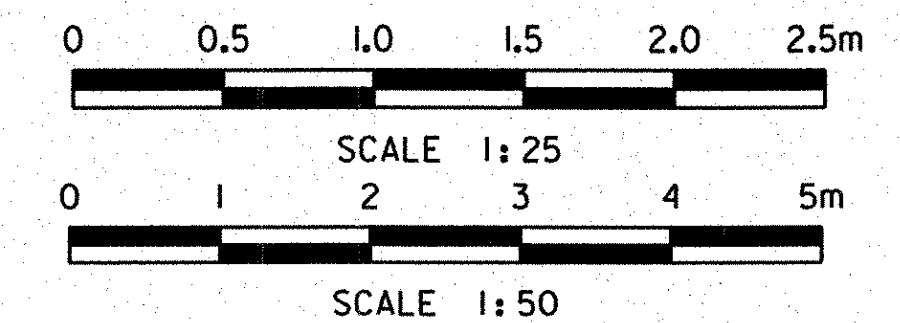


STEM REINFORCEMENT PLAN
SCALE 1:50



BACKWALL REINFORCEMENT PLAN
SCALE 1:50

- LEGEND:**
- F.F. - FRONT FACE
 - B.F. - BACK FACE
 - E.F. - EACH FACE
 - C.B. - CORNER BAR
 - C.J. - CONSTRUCTION JOINT
 - ▲ - CUT TO FIT IN FIELD



STATE OF VERMONT AGENCY OF TRANSPORTATION	
Town Of BENNINGTON	Bridge No. BISS
Highway No. VT RTE 279	Log Sta. Surv. Sta.
VT ROUTE 279 & RAMPS OVER ROARING BRANCH OF WALLOOMSAC RIVER	
ABUTMENT 1 REINFORCEMENT PLANS (RAMP A)	
Designed By B.J. CARLSON	Drawn By R.G. COCOL
Checked By K.M. WOJTKOWSKI	Date 06/08
Bridge Design Supervisor K.M. WOJTKOWSKI	Date 06/08
PROJECT BENNINGTON	PROJECT NO. AC NH 019-1(51)
TVGA CAD Drawing No. RmpAA1Reb.dgn	Date 02/02/2009
Bridge Sheet No. BR272	Sheet 259 of 367