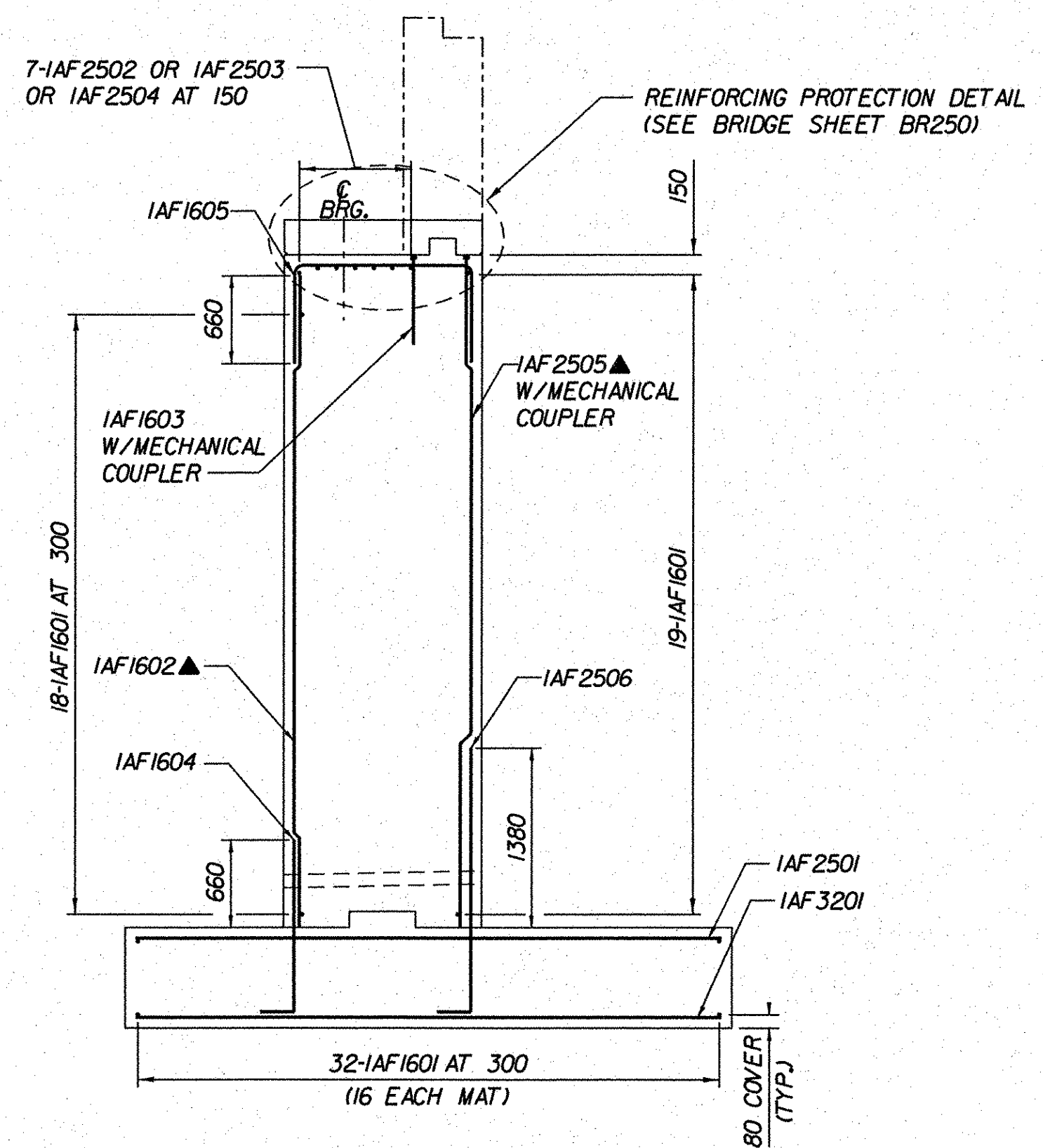
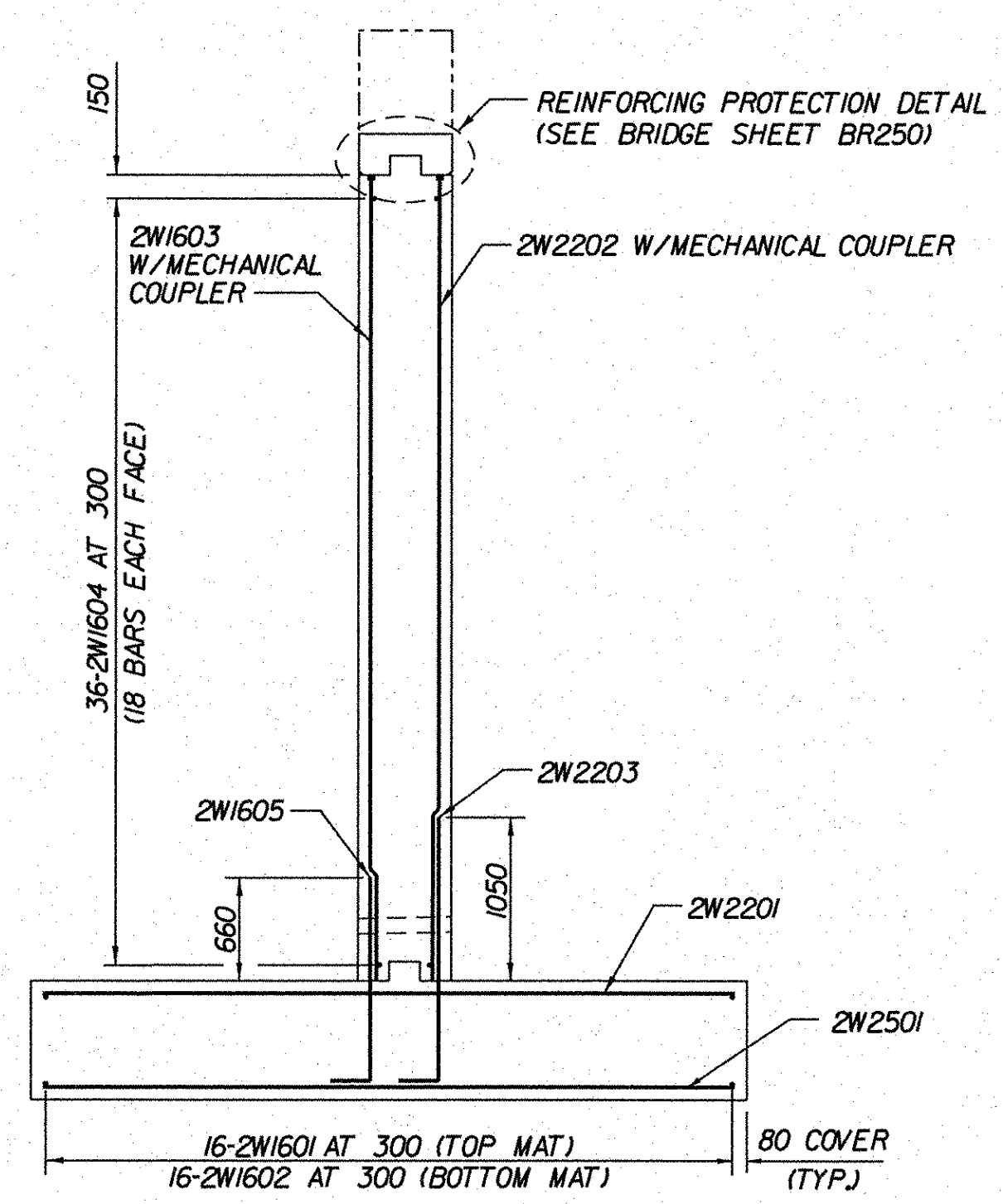


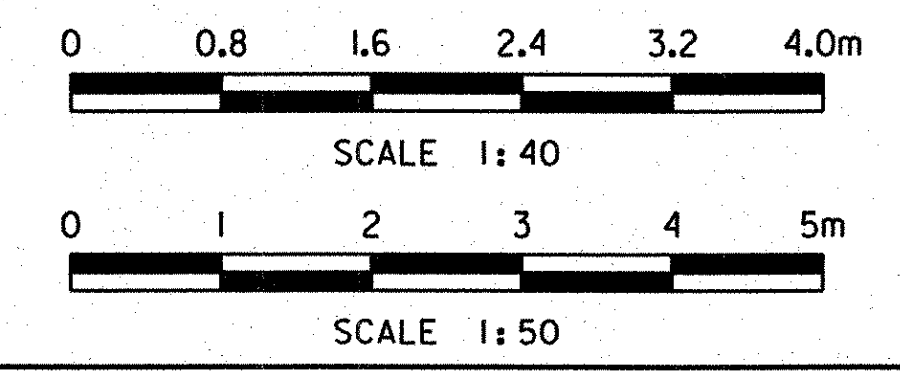
ELEVATION
(ABUTMENT 1 - SB VT ROUTE 279 AND WINGWALL NO. 2)
 SCALE 1:50



SECTION A-A
(ABUTMENT 1 - SB VT ROUTE 279)
 (SEE BRIDGE SHEET BR255 FOR SECTION LOCATION)
 SCALE 1:40



SECTION B-B
(WINGWALL NO. 2)
 (SEE BRIDGE SHEET BR255 FOR SECTION LOCATION)
 SCALE 1:40



- LEGEND:**
- F.F. - FRONT FACE
 - B.F. - BACK FACE
 - E.F. - EACH FACE
 - C.B. - CORNER BAR
 - C.J. - CONSTRUCTION JOINT
 - ▲ - CUT TO FIT IN FIELD

STATE OF VERMONT	
AGENCY OF TRANSPORTATION	
Town Of BENNINGTON	Bridge No. B15
Highway No. VT RTE 279	Log Sta. Surv. Sta.
VT ROUTE 279 & RAMPS OVER ROARING BRANCH OF WALLOWMASC RIVER	
ABUTMENT 1 REINFORCEMENT DETAILS (SB VT RTE 279)	
Designed By B.J. CARLSON	Drawn By D.S. URBINO
Checked By K.M. WOJTKOWSKI Date 06/08	Bridge Design Supervisor K.M. WOJTKOWSKI Date 06/08
PROJECT BENNINGTON	PROJECT NO. AC NH 019-1(51)
TVGA CAD Drawing No. SBAIRebDet.dgn	Date 02/02/2009
Bridge Sheet No. BR256	Sheet 243 of 367

