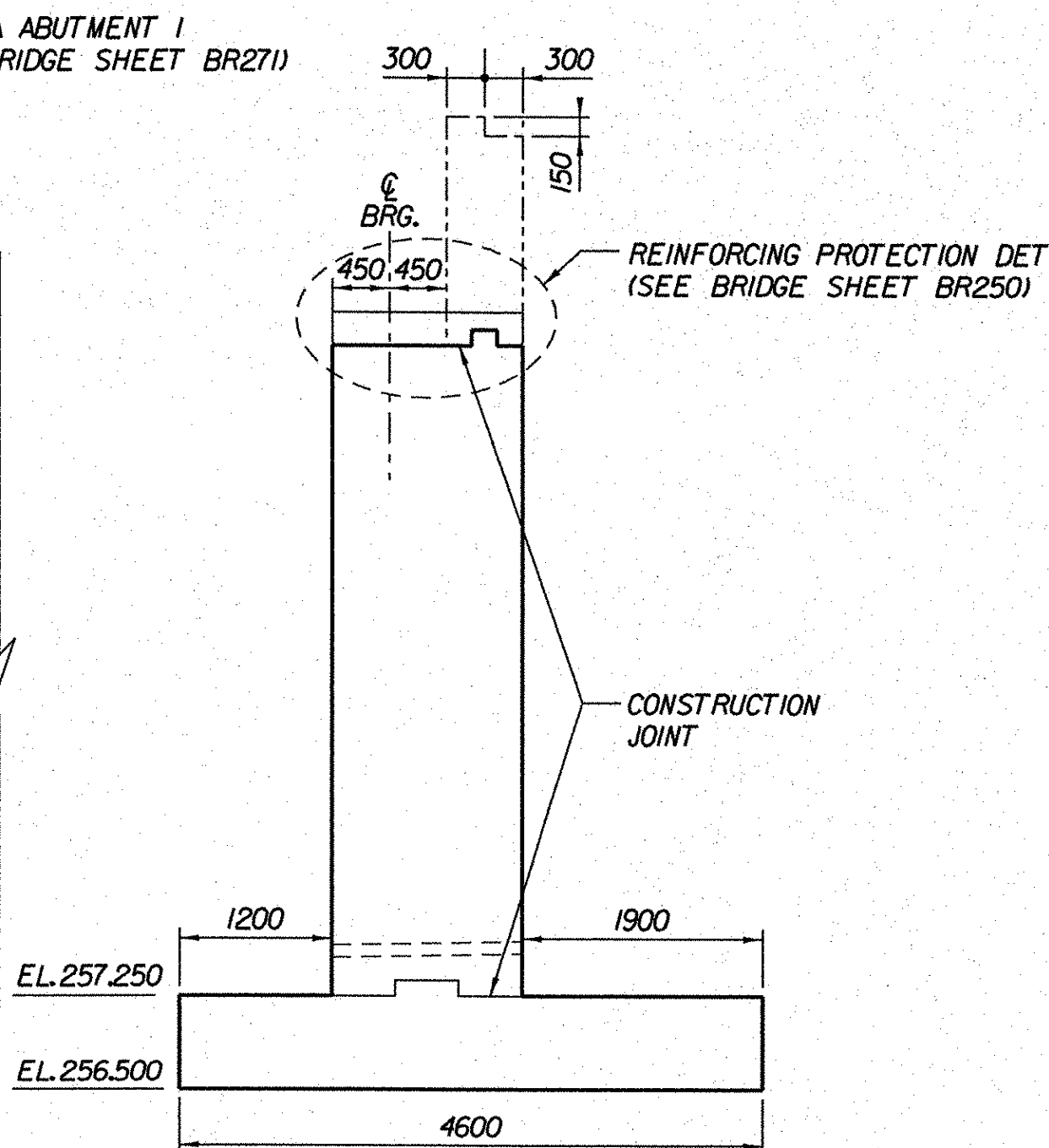
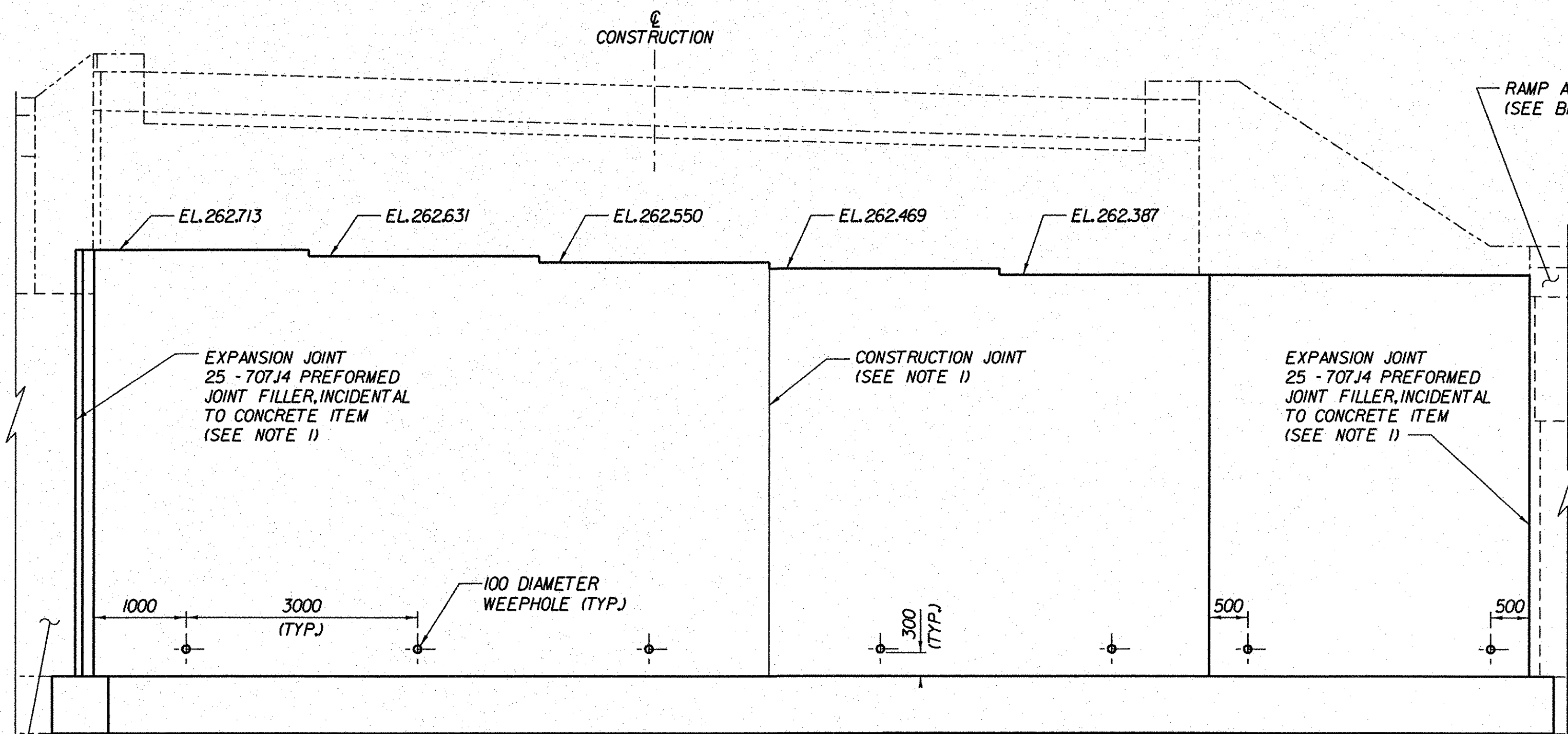
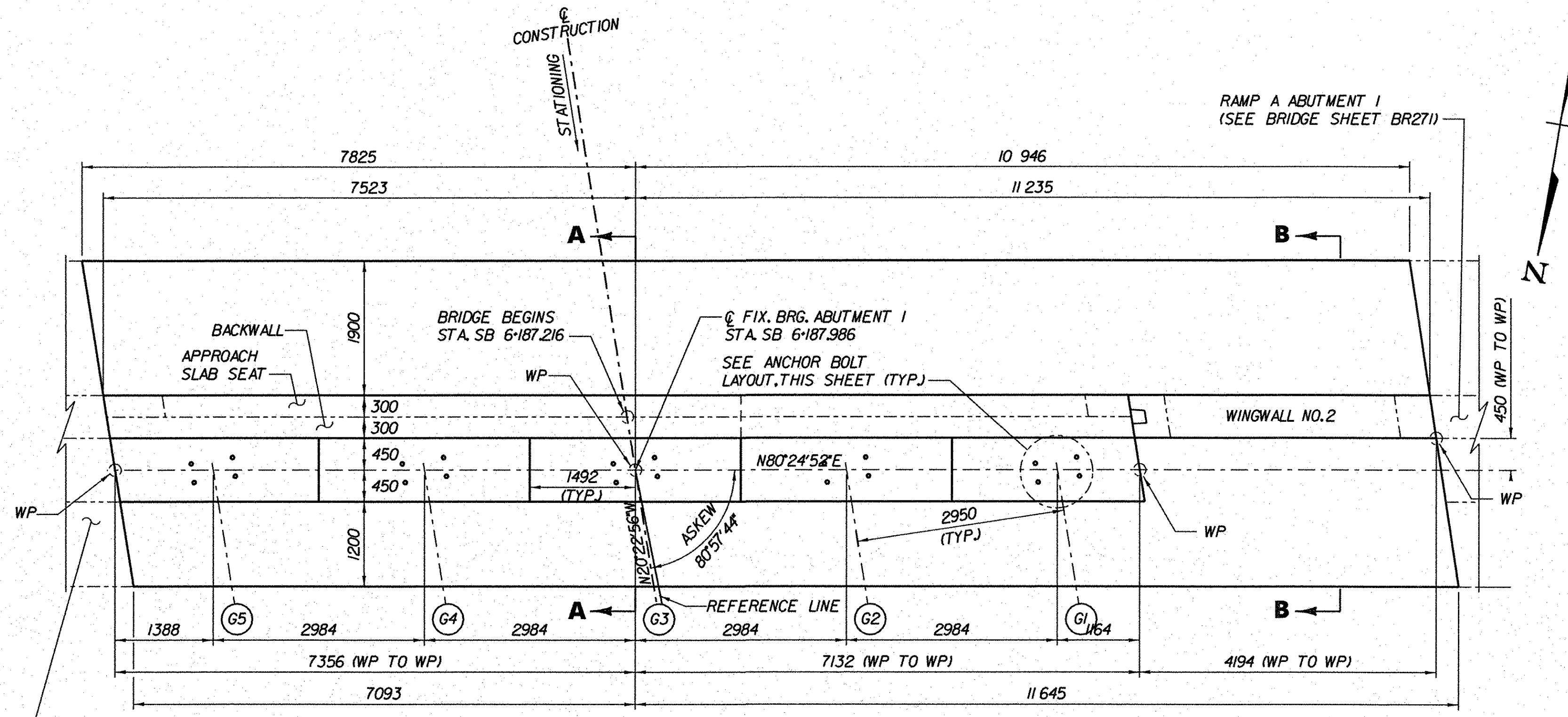
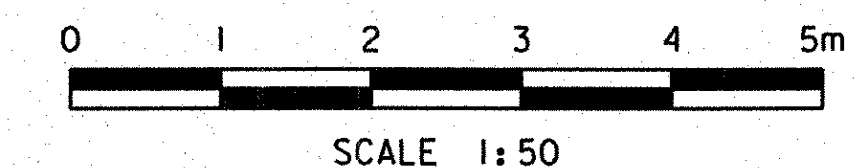
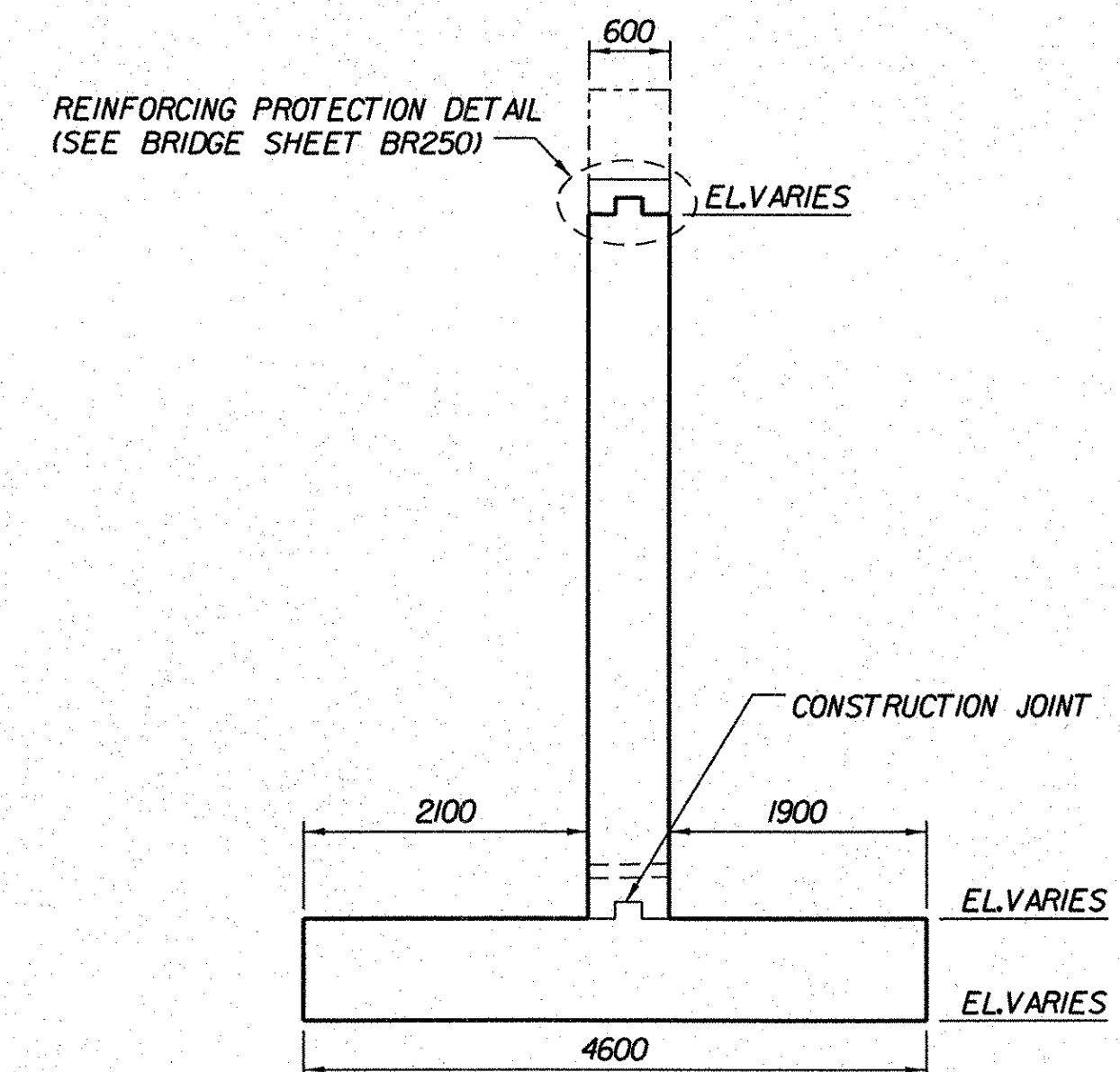
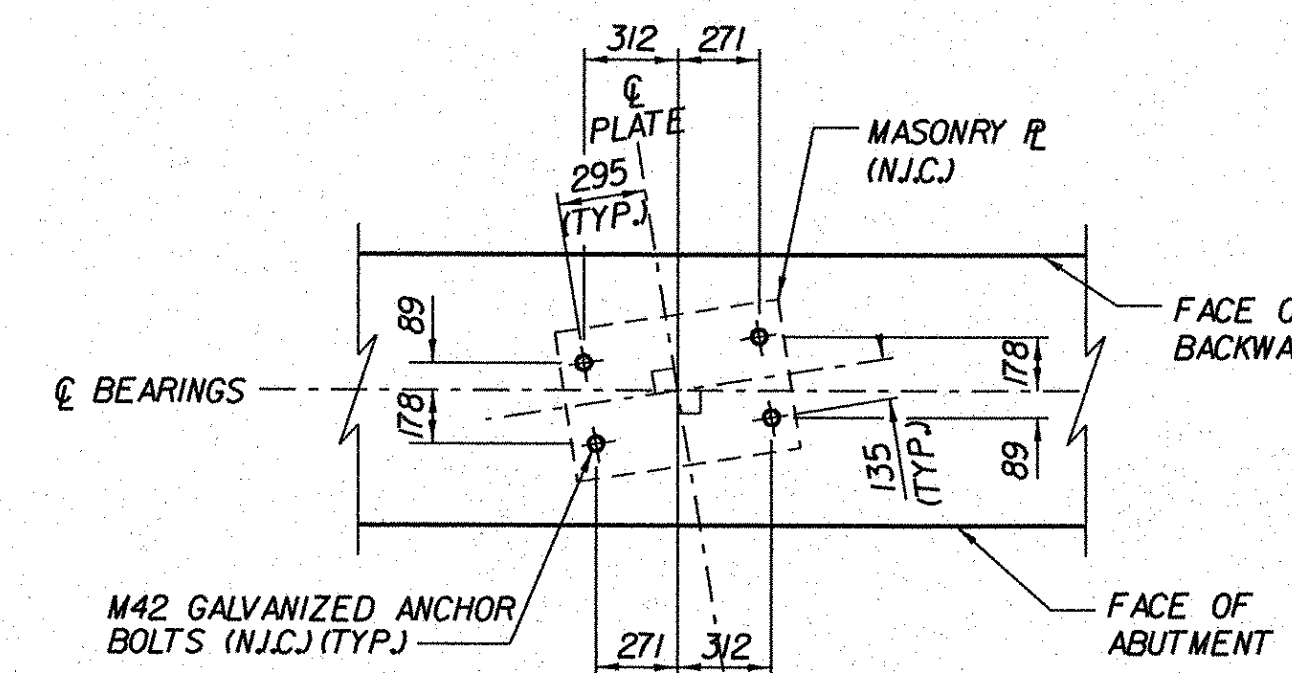


**NOTES:**

- FOR THE TYPICAL CONCRETE CONSTRUCTION JOINT AND EXPANSION JOINT DETAILS, SEE TYPICAL BRIDGE DETAILS, BRIDGE SHEET BR305.
- USING THE GIVEN ANCHOR BOLT LAYOUT AS A TEMPLATE, THE LONGITUDINAL AND TRANSVERSE BRIDGE SEAT REINFORCING SPACING SHALL BE MODIFIED AS NECESSARY TO ASSURE THAT THERE WILL BE NO CONFLICT WITH THE FUTURE BEARING DEVICE ANCHOR BOLTS.

**GIRDER CHORD ANGLE**

LOCATION	"A"
G1	8° 39'
G2	8° 38'
G3	8° 37'
G4	8° 36'
G5	8° 35'



**STATE OF VERMONT  
AGENCY OF TRANSPORTATION**

Town Of	BENNINGTON	Bridge No.	B15
Highway No.	VT RTE 279	Log Sta.	
		Surv. Sta.	
VT ROUTE 279 & RAMPS OVER ROARING BRANCH OF WALLOOVSAC RIVER			
<b>ABUTMENT 1 MASONRY (SB VT ROUTE 279)</b>			
Designed By	B.J. CARLSON	Drawn By	D.S. URBINO
Checked By	Date	Bridge Design Supervisor	
K.M. WOJTKOWSKI	05/08	K.M. WOJTKOWSKI	Date 05/08
PROJECT	BENNINGTON	PROJECT NO.	AC NH 019-1(51)
TVGA CAD Drawing No.	SBA1Conc.dgn	Date	02/02/2009
Bridge Sheet No.	BR254	Sheet	24 of 367