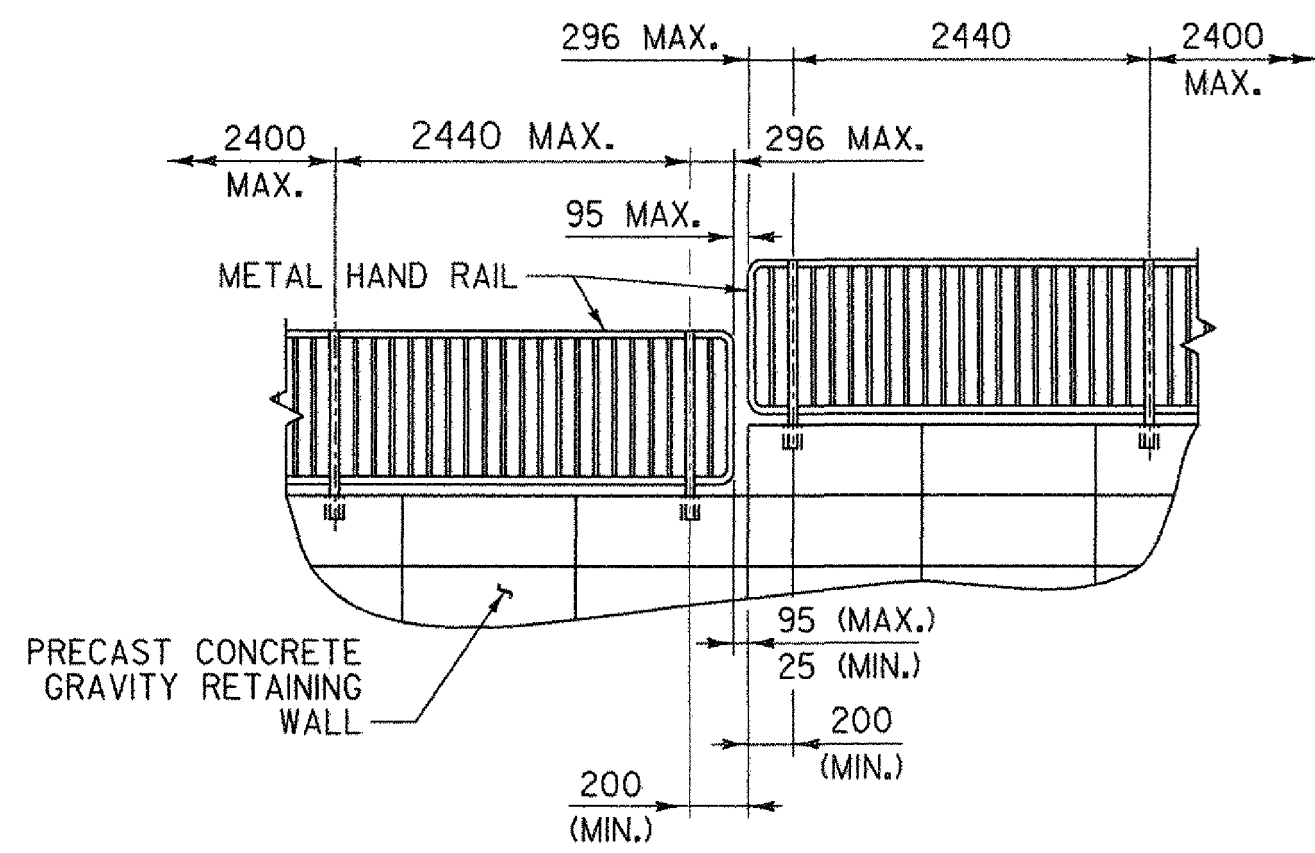
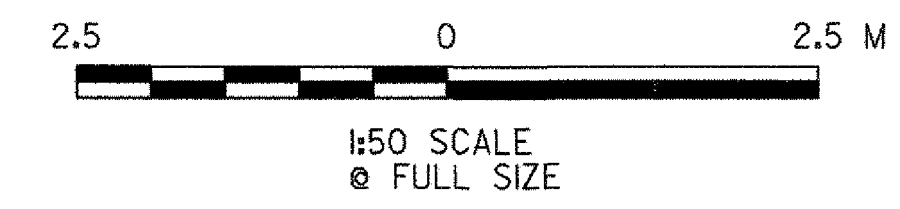


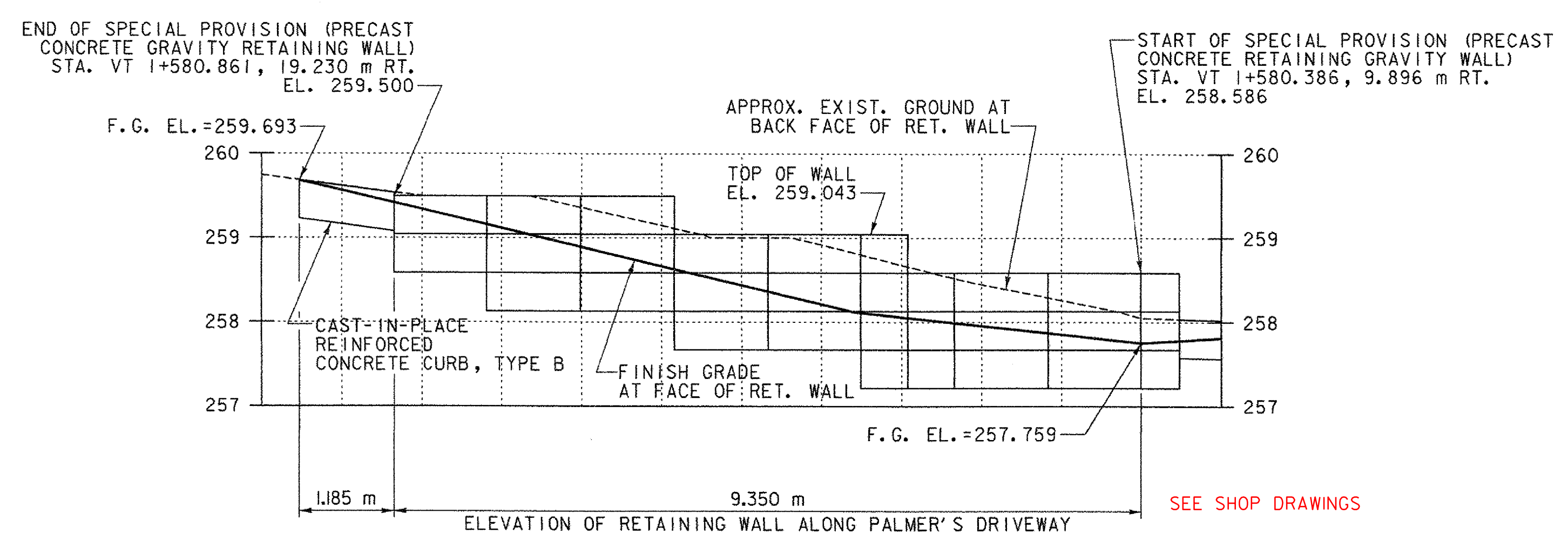
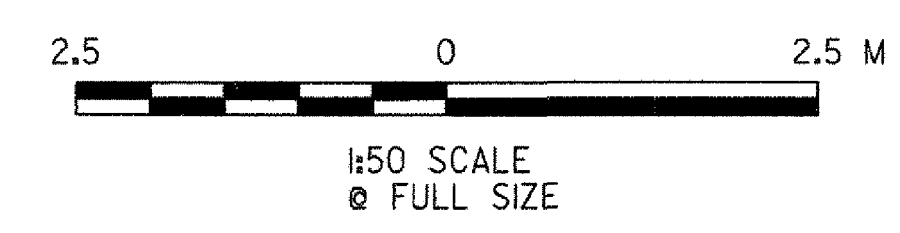
NOTE: SEE RETAINING WALL ELEVATIONS FOR LOCATIONS OF METAL HAND RAIL.

TYPICAL METAL HAND RAIL DETAILS

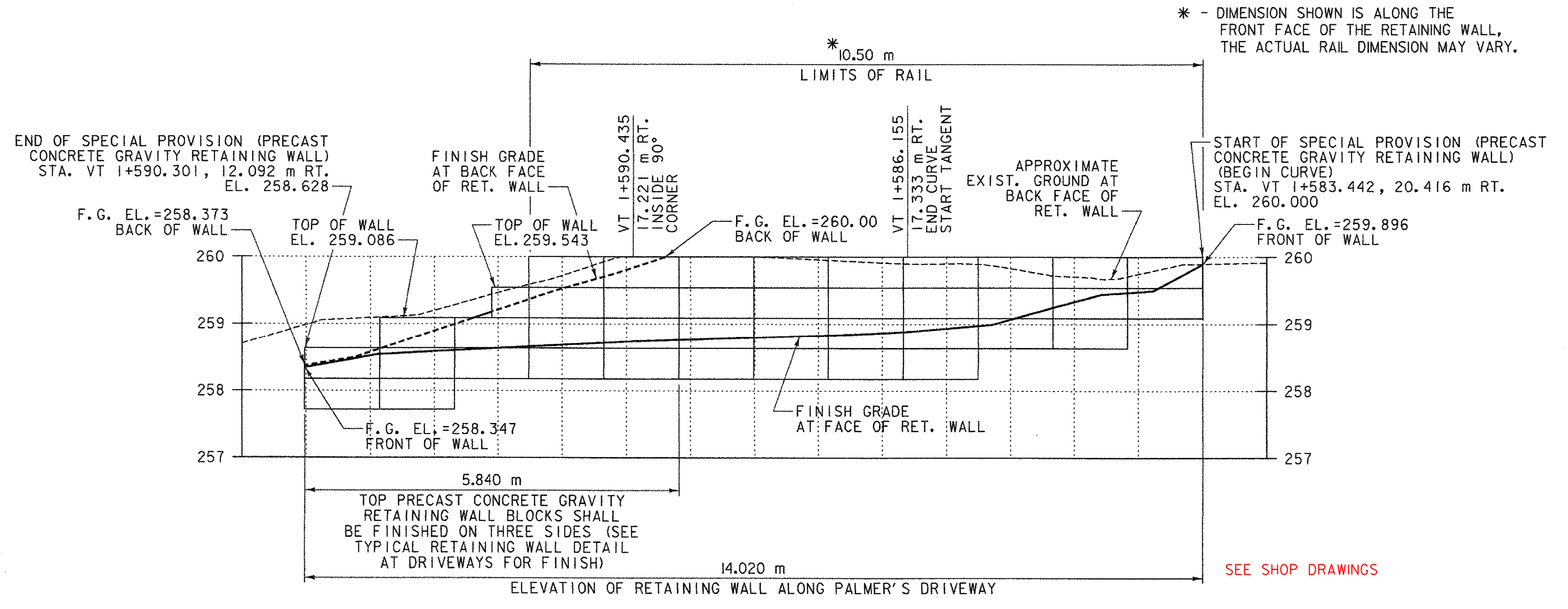


NOTE: SEE TYPICAL METAL HAND RAIL DETAILS FOR INFORMATION NOT SHOWN.

METAL HAND RAIL STEP DETAIL



KANE RETAINING WALL ELEVATION



PALMER - MOXLEY RETAINING WALL ELEVATION

VERMONT AGENCY OF TRANSPORTATION	
	PROJECT NAME: BENNINGTON
	PROJECT NUMBER: AC NH 019-(51)
FILE NAME: ...\\plot files\zd307cbwd.pft	PLOT DATE: 2/2/2009
DESIGN SUPERVISOR: GREG EDWARDS	DRAWN BY: STANTEC
DESIGNED BY: SCOTT BURBANK	CHECKED BY: MIKE CHENETTE
BLOCK WALL DETAIL BWD-03	SHEET 178 OF 367

V:\1953\001\19530002\Transportation\Drawings\Contract\1\pilot_files\zd307cbwd.pft