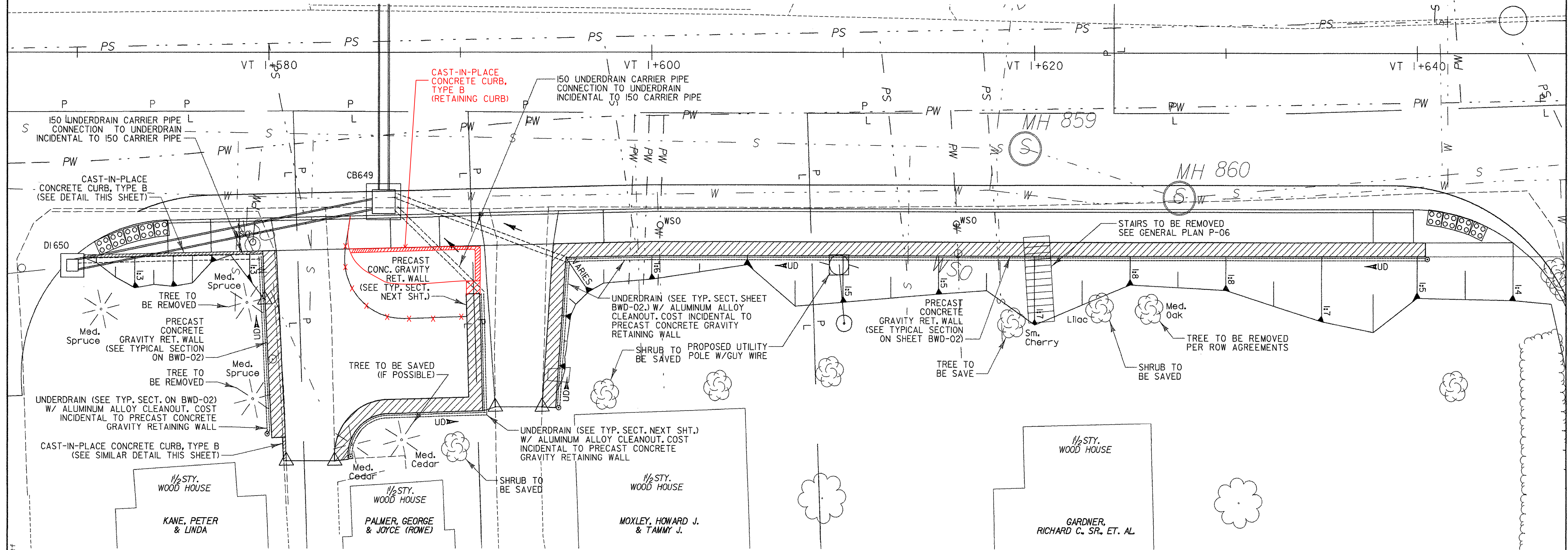
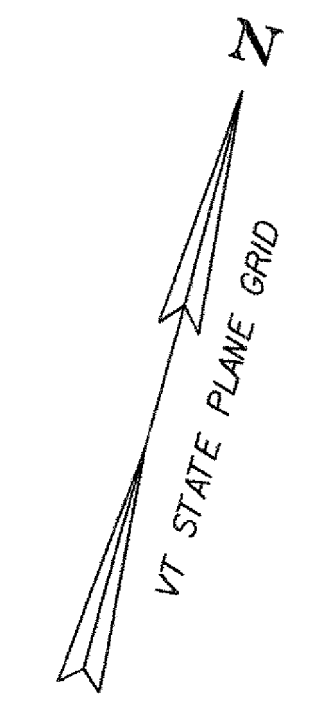


CAST-IN-PLACE CONCRETE CURB, TYPE B
 STA. VT 1+570.4 TO VT 1+579.7 RT. (BEHIND SIDEWALK)
 STA. VT 1+580.9 RT (EDGE OF DRIVEWAY)

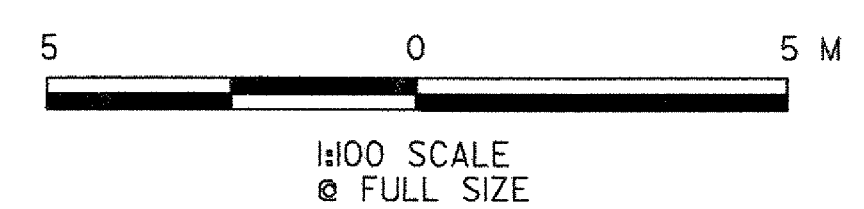
SPECIAL PROVISION (PRECAST CONCRETE GRAVITY RETAINING WALL)
 STA. VT 1+580.8 RT (DRIVEWAY)
 STA. VT 1+583.4 RT (DRIVEWAY)
 STA. VT 1+594.3 RT (DRIVEWAY)
 STA. VT 1+594.8 TO VT 1+637.7 RT.

150 MM UNDERDRAIN CARRIER PIPE
 STA. VT 1+570.0 - VT 1+579.5 RT.
 STA. VT 1+586.0 - VT 1+591.2 RT.
 STA. VT 1+586.0 - VT 1+595.6 RT.

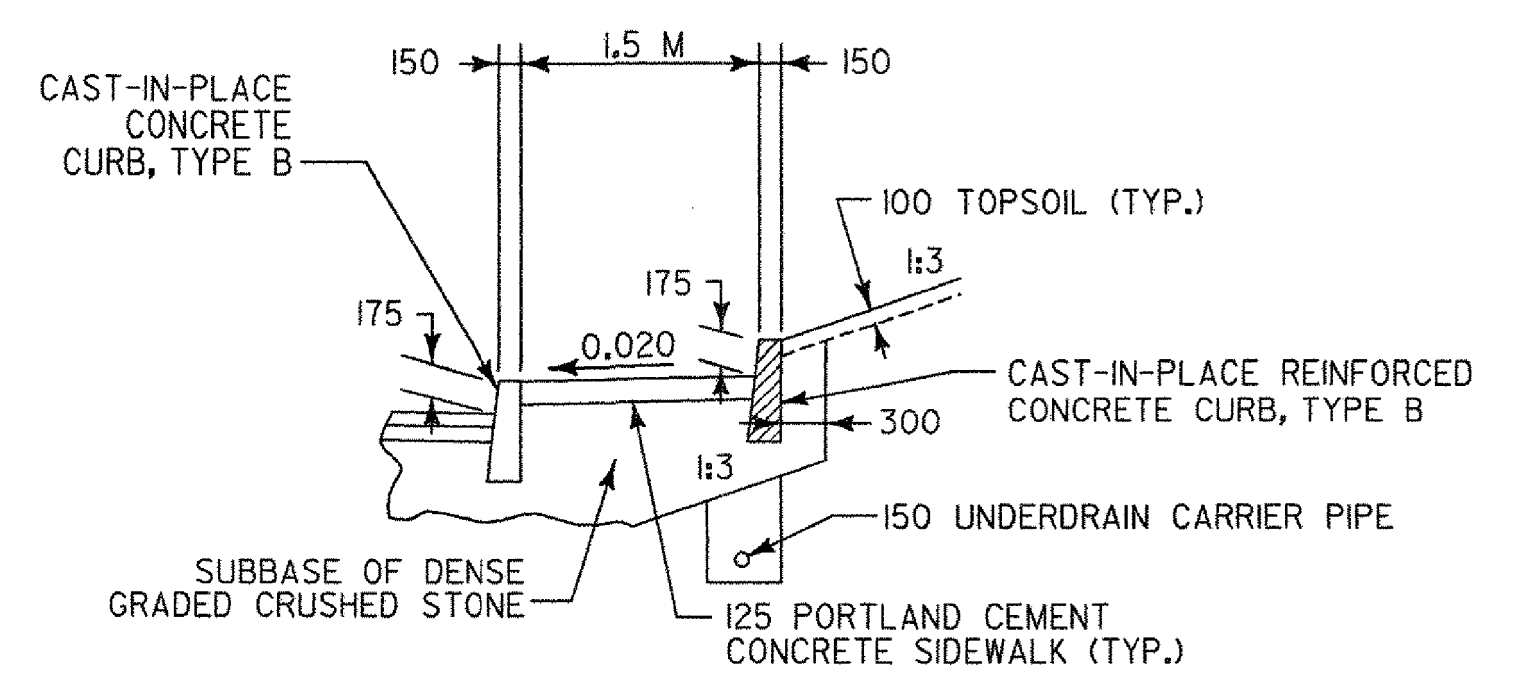
METAL HAND RAILING
 STA. VT 1+583.4 RT (DRIVEWAY)
 STA. VT 1+594.3 RT (DRIVEWAY)
 STA. VT 1+594.8 TO VT 1+633.7 RT.



PRECAST CONCRETE GRAVITY RETAINING WALL PLAN



NOTE:
 1. RELOCATION OF WATER AND SEWER SERVICE LINES SHALL BE COORDINATED WITH THE BOTTOM OF THE PRECAST CONCRETE GRAVITY RETAINING WALLS AND THE DRIVEWAY'S FINISHED GRADES TO MAINTAIN PROPER CLEARANCES AND BURIAL DEPTHS.
 2. COST FOR CONNECTING 150 UNDERDRAIN CARRIER PIPE TO DRAINAGE STRUCTURES (DI 650 & CB 649) IS TO BE INCIDENTAL TO ITEM 605.20.



CAST-IN-PLACE REINFORCED CONCRETE CURB DETAIL
 NOT TO SCALE

- CAST-IN-PLACE REINFORCED CONCRETE CURB, TYPE B (BEHIND SIDEWALK AND ALONG DRIVEWAY)
- SPECIAL PROVISION (PRECAST CONCRETE GRAVITY RETAINING WALL)

NOTE: SEE BWD-02 FOR GENERAL NOTES AND TYPICAL RETAINING WALL SECTIONS. SEE THE RETAINING WALL ELEVATIONS (BWD-03 & BWD-04) FOR LOCATIONS OF THE METAL HAND RAILS AND TYPICAL METAL HAND RAIL DETAILS.

VERMONT AGENCY OF TRANSPORTATION	
	PROJECT NAME: BENNINGTON
	PROJECT NUMBER: AC NH 019-1(51)
FILE NAME: ...plot files\zd307cbwd.ppt	PLOT DATE: 2/2/2009
DESIGN SUPERVISOR: GREG EDWARDS	DRAWN BY: STANTEC
DESIGNED BY: SCOTT BURBANK	CHECKED BY: MIKE CHENETTE
BLOCK WALL DETAIL BWD-01	SHEET 176 OF 367