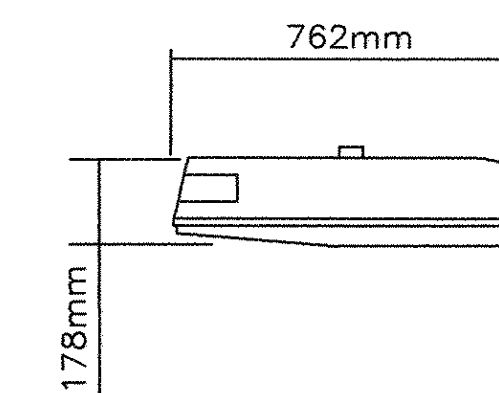
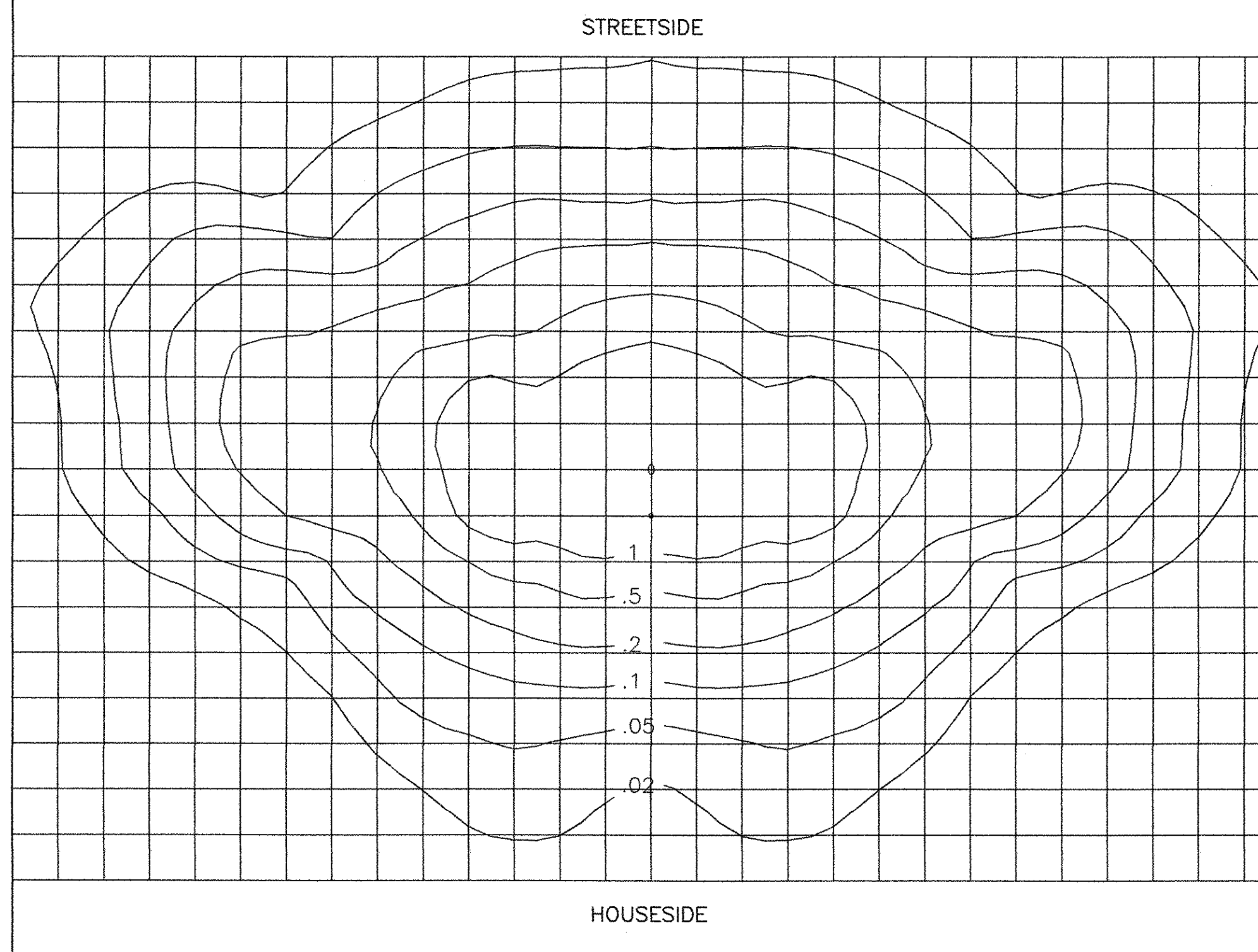


**PHOTOMETRIC OF ROUTE 9 AREA  
N.T.S.**

**LUMINAIRE:**  
LENS FINISH: CLEAR FLAT GLASS  
HOUSING: ALUMINUM - BLACK  
**LAMP:**  
TYPE: 250W HIGH PRESSURE SODIUM  
LUMENS: 26,000 INITIAL LMS  
CAT. NO.: ED-28 MOG/MXR  
250/VBD  
**ANSI/IES TYPE:**  
TYPE II CUT-OFF OPTICS



**LUMINAIRE:** COOPER OVF-250HPS-CWA-V-2D2-(WITH NEMA PHOTOCELL)-BK (BLACK)-UL  
**LAMP:** TYPE: 250 HPS (26,000 INITIAL LMS)  
**MOUNTING HEIGHT:** 10.6m ~35'



**FIXTURE  
ISO-FOOTCANDLE DATA  
N.T.S.**

**VERMONT AGENCY OF TRANSPORTATION**



PROJECT NAME: BENNINGTON  
PROJECT NUMBER: AC NH 019-1(51)

FILE NAME: ...plot files\zd307cldet\_lgt.ptf PLOT DATE: 2/2/2009  
DESIGN SUPERVISOR: GREG EDWARDS DRAWN BY: STANTEC  
DESIGNED BY: MARC FOISY CHECKED BY: GARY SANTY  
**LIGHTING DETAILS AND NOTES LP-10** SHEET 156 OF 367