

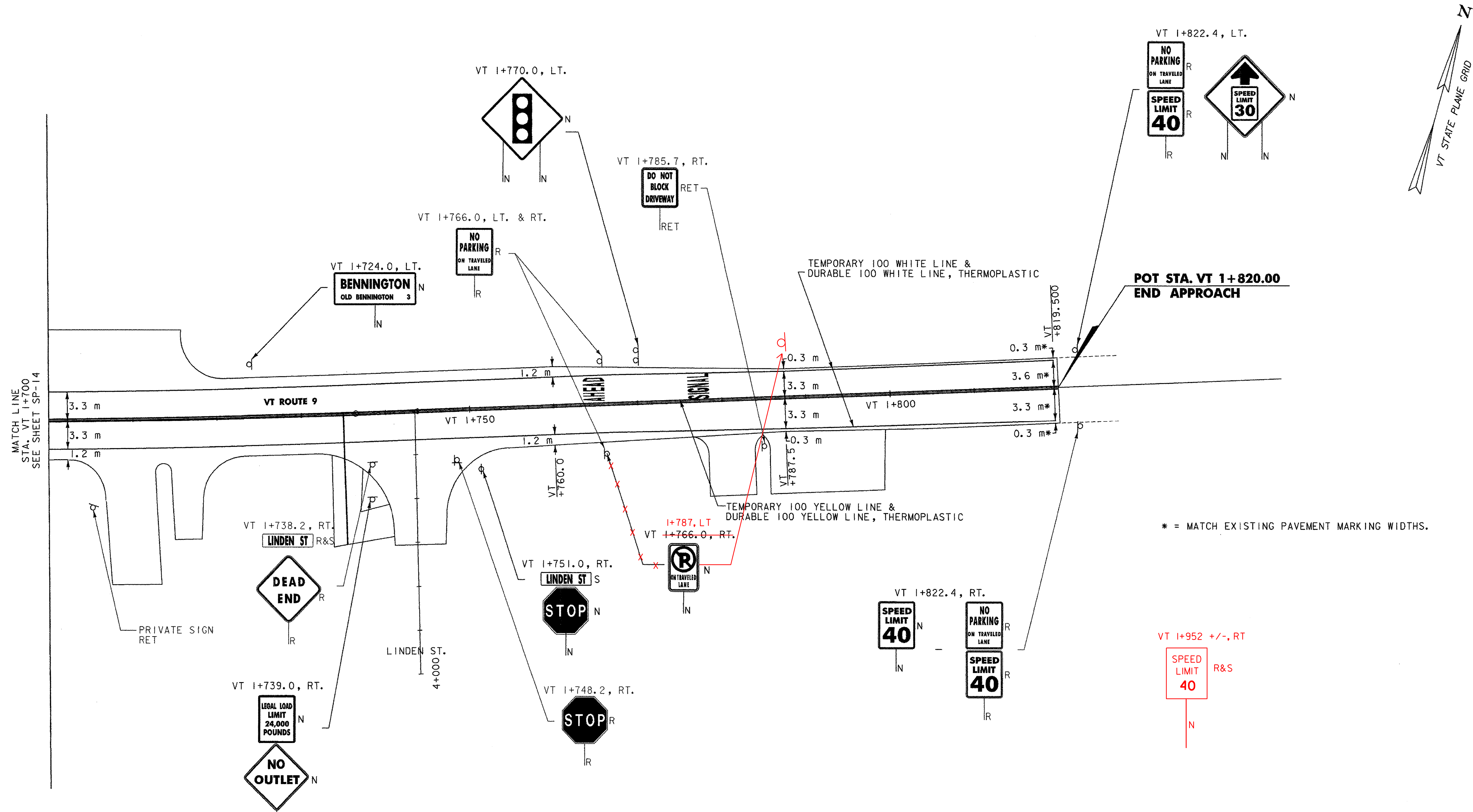
TEMPORARY 100 WHITE LINE &
DURABLE 100 WHITE LINE, THERMOPLASTIC
STA. VT 1+700.0 TO VT 1+820.0, SOLID LT. & RT.

TEMPORARY 100 YELLOW LINE &
DURABLE 100 YELLOW LINE, THERMOPLASTIC
STA. VT 1+700.0 TO VT 1+820.0, DOUBLE SOLID, &

DURABLE LETTER OR SYMBOL, THERMOPLASTIC
STA. VT 1+764.0, LT. - " AHEAD "
STA. VT 1+776.0, LT. - " SIGNAL "

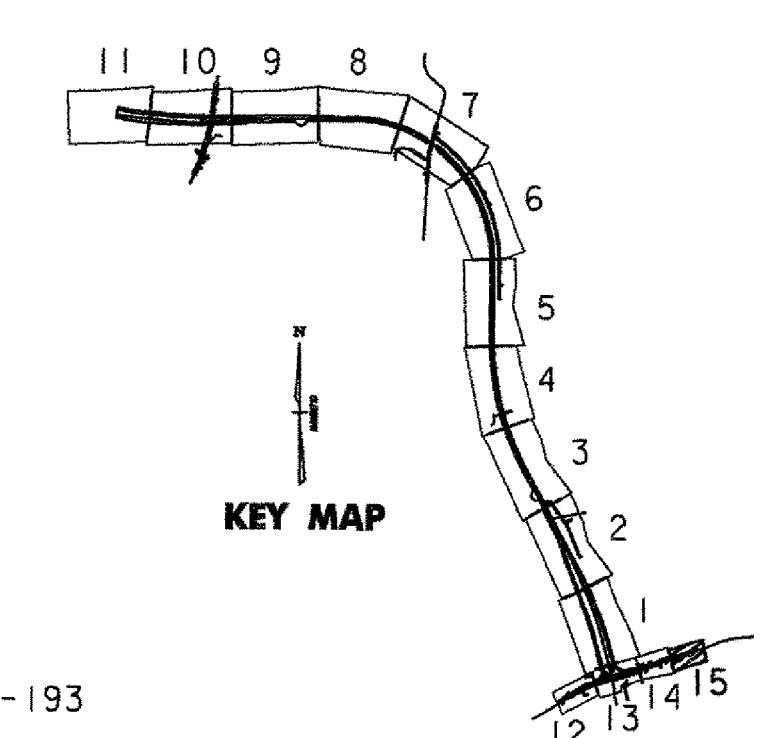
REMOVING SIGNS
AS SHOWN-8

ERECTING SALVAGED SIGNS
AS SHOWN-1

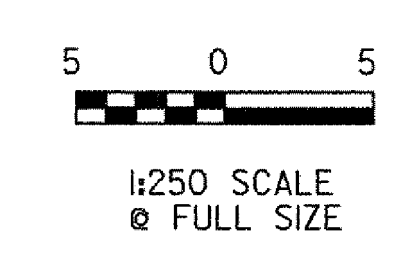


* = MATCH EXISTING PAVEMENT MARKING WIDTHS.

- SIGN & DELINEATOR LEGEND**
- N = NEW
 - R = REMOVE
 - R&S = REMOVE & SALVAGE
 - S = SALVAGE SIGN
 - RET = RETAIN
 - (B-B) = BACK TO BACK
 - (O) = RETURN TO TOWN OF BENNINGTON
 - (Y) = TYPE I (WHITE)
 - (A) = TYPE I (AMBER)
 - (W) = TYPE I (WHITE W/REF PLAQUE)
 - (II) = TYPE II
 - (III) = TYPE III (WHITE)
 - (III) = TYPE III (AMBER)
 - *



NOTE: 1) FOR ANY TOWN HIGHWAY OR STREET DETAILS, SEE VTrans STANDARD E-193



VERMONT AGENCY OF TRANSPORTATION	
	PROJECT NAME: BENNINGTON
	PROJECT NUMBER: AC NH 019-1(51)
FILE NAME: ...\plot files\vzd307dltxt.sgn.plt	PLOT DATE: 1/30/2009
DESIGN SUPERVISOR: GREG EDWARDS	DRAWN BY: STANTEC
DESIGNED BY: MARC FOISY	CHECKED BY: GARY SANTY
SIGNS AND MARKINGS SP-15	SHEET 124 OF 367

V:\9531\active\95310002\transportation\drawing\contract\plot_files\vzd307dltxt.sgn.plt