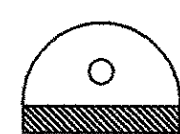
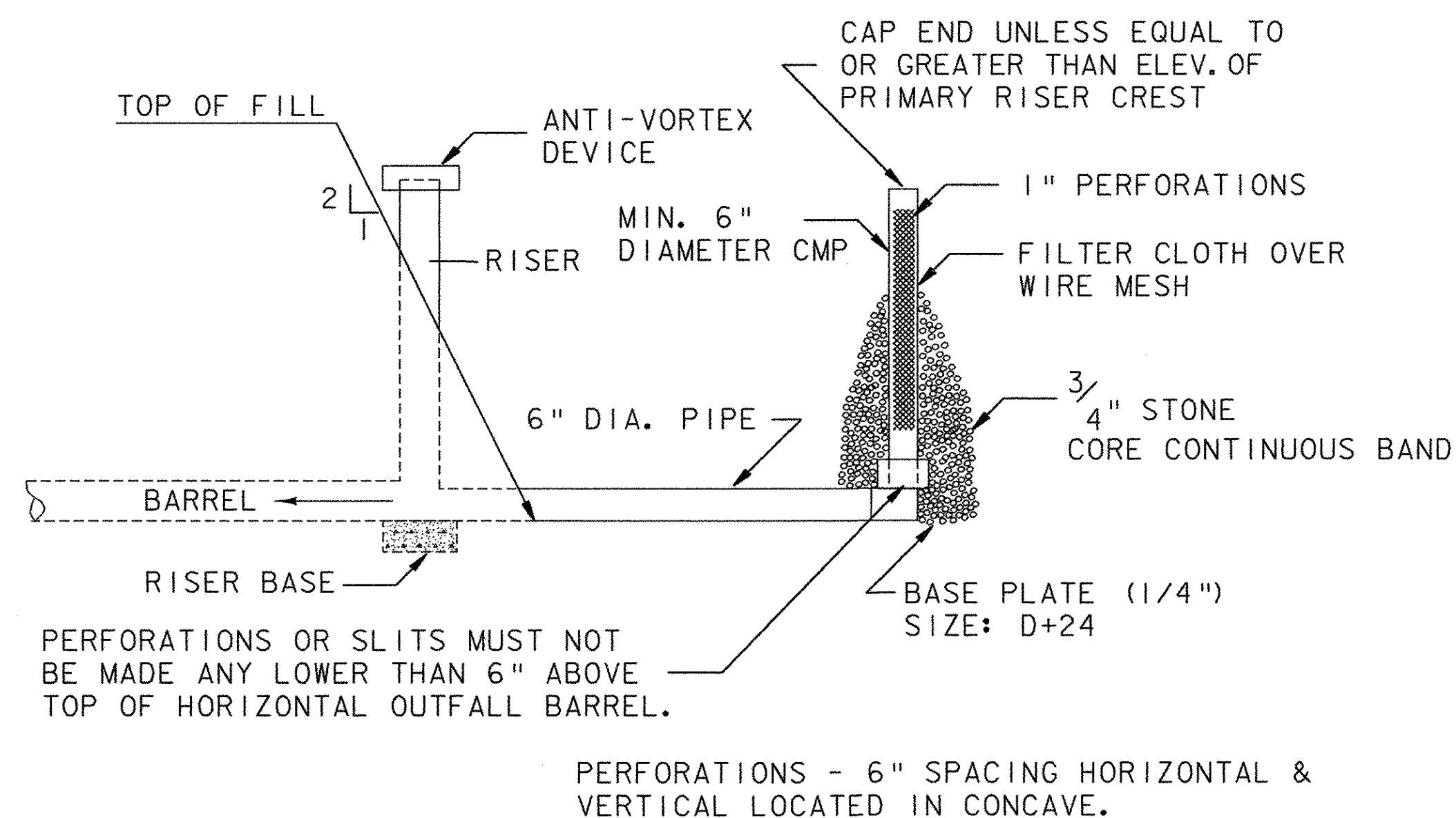


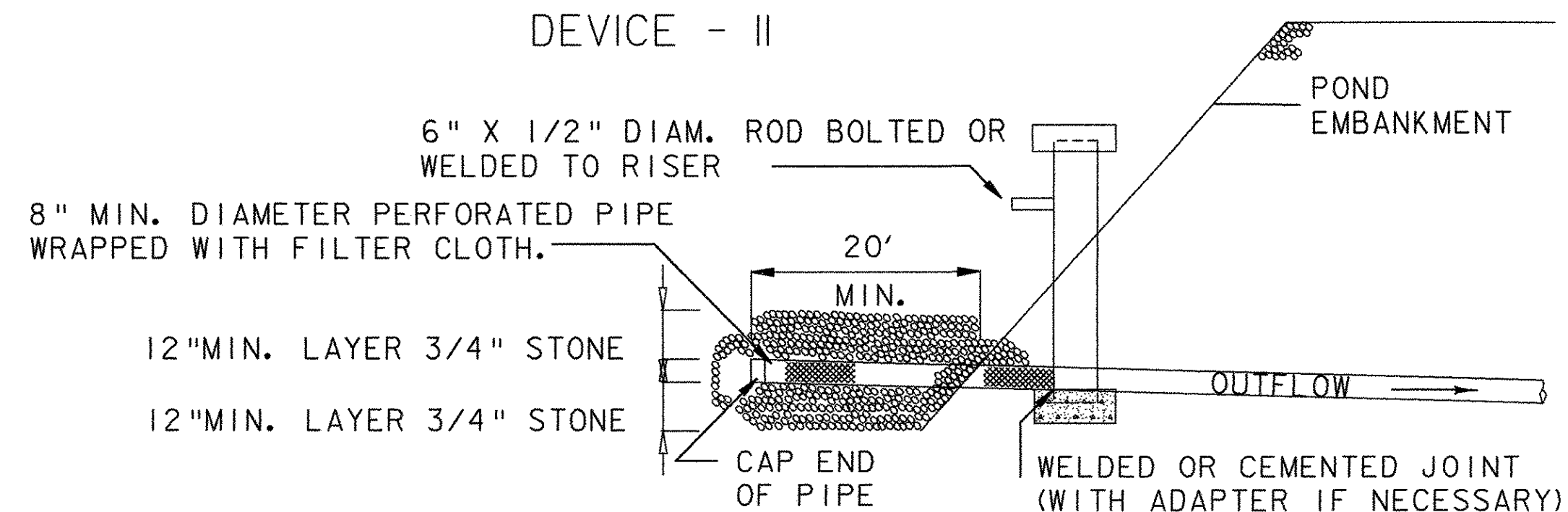
SYMBOL



OPTIONAL SEDIMENT BASIN DEWATERING DEVICE - I WITH 6" PERFORATED RISER



OPTIONAL SEDIMENT BASIN DEWATERING DEVICE - II

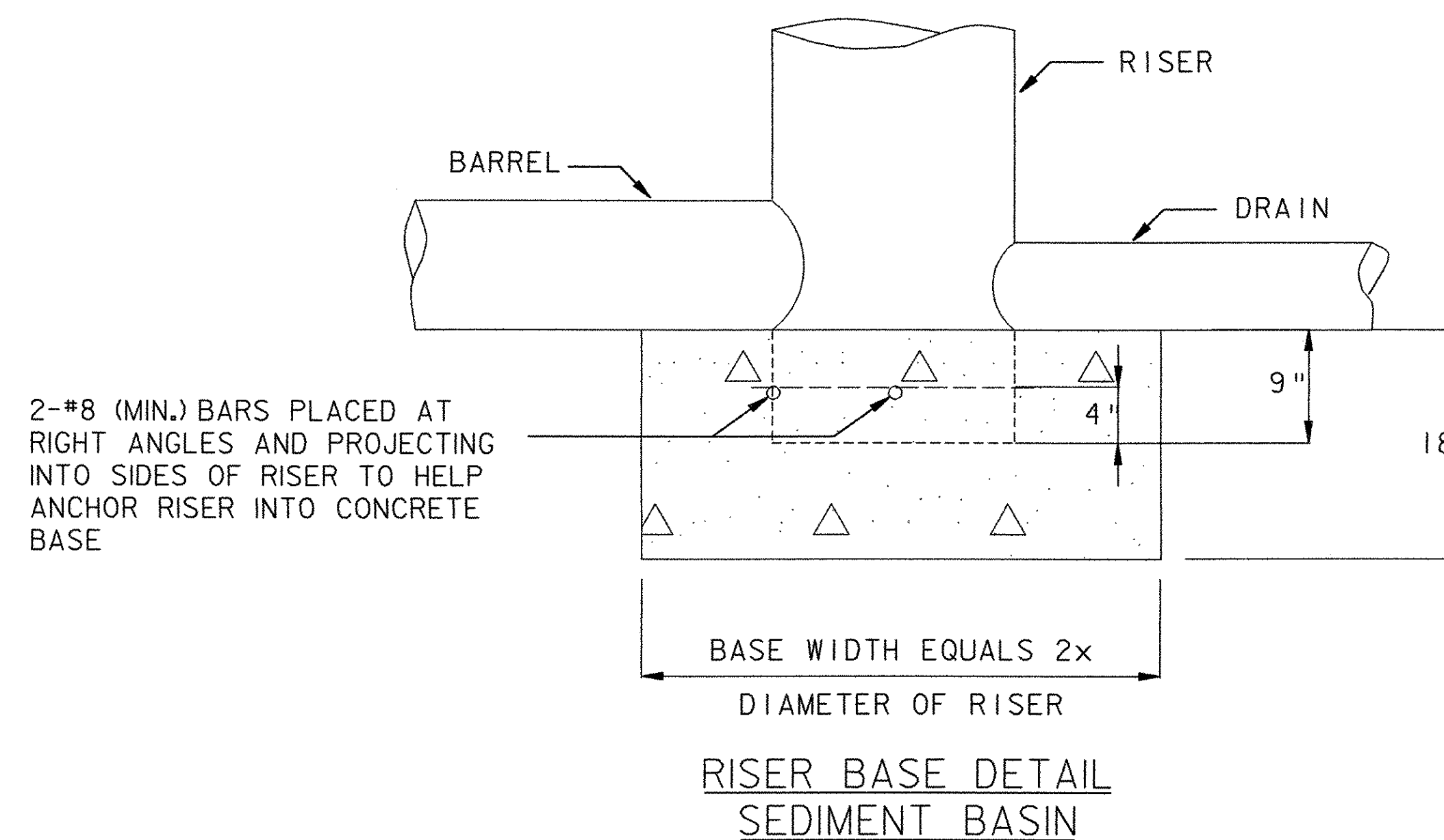


OPTIONAL SEDIMENT BASIN DEWATERING DEVICES

NOTES:

1. REFER TO "THE VERMONT STANDARDS & SPECIFICATIONS FOR EROSION PREVENTION & SEDIMENT CONTROL -2006- " FROM THE VT AGENCY OF NATURAL RESOURCES FOR ADDITIONAL GUIDANCE.
2. ADAPTED FROM DETAILS PROVIDED BY: NEW YORK STATE DEC ORIGINALLY DEVELOPED BY USDA-NRCS VERMONT DEPARTMENT OF ENVIRONMENTAL CONSERVATION
3. ENGLISH UNITS RETAINED FROM ORIGINAL DETAIL

ANGLE OF STUB TO BE SHOWN, ANGLE BASED ON BARREL GRADE



CONSTRUCTION SPECIFICATIONS

NOTES:

1. THE CONCRETE BASE SHALL BE POURED IN SUCH A MANNER TO INSURE THAT THE CONCRETE FILLS THE BOTTOM OF THE RISER TO THE INVERT OF THE OUTLET PIPE TO PREVENT THE RISER FROM BREAKING AWAY FROM THE BASE.
2. WITH ALUMINUM OR ALUMINIZED PIPE, THE EMBEDDED SECTION MUST BE PAINTED WITH CHROMATE OR EQUIVALENT.
3. RISER BASE MAY BE SIZED AS COMPUTED USING FLOATATION WITH A FACTOR OF SAFETY OF 1.2.
4. PAYMENT FOR SEDIMENT BASIN DEWATERING DEVICE SHALL BE INCIDENTAL TO 900.620 SPECIAL PROVISION (TEMPORARY SEDIMENT BASIN).

VERMONT AGENCY OF TRANSPORTATION

PROJECT NAME: BENNINGTON
PROJECT NUMBER: AC NH 019-1(51)

FILE NAME: ...plot files\zd307cldet.epsc.ptf PLOT DATE: 1/30/2009

DESIGN SUPERVISOR: VTRANS DRAWN BY: VTRANS

DESIGNED BY: VTRANS CHECKED BY: VTRANS

EP & SC DETAILS ECD-09 SHEET 106 OF 367