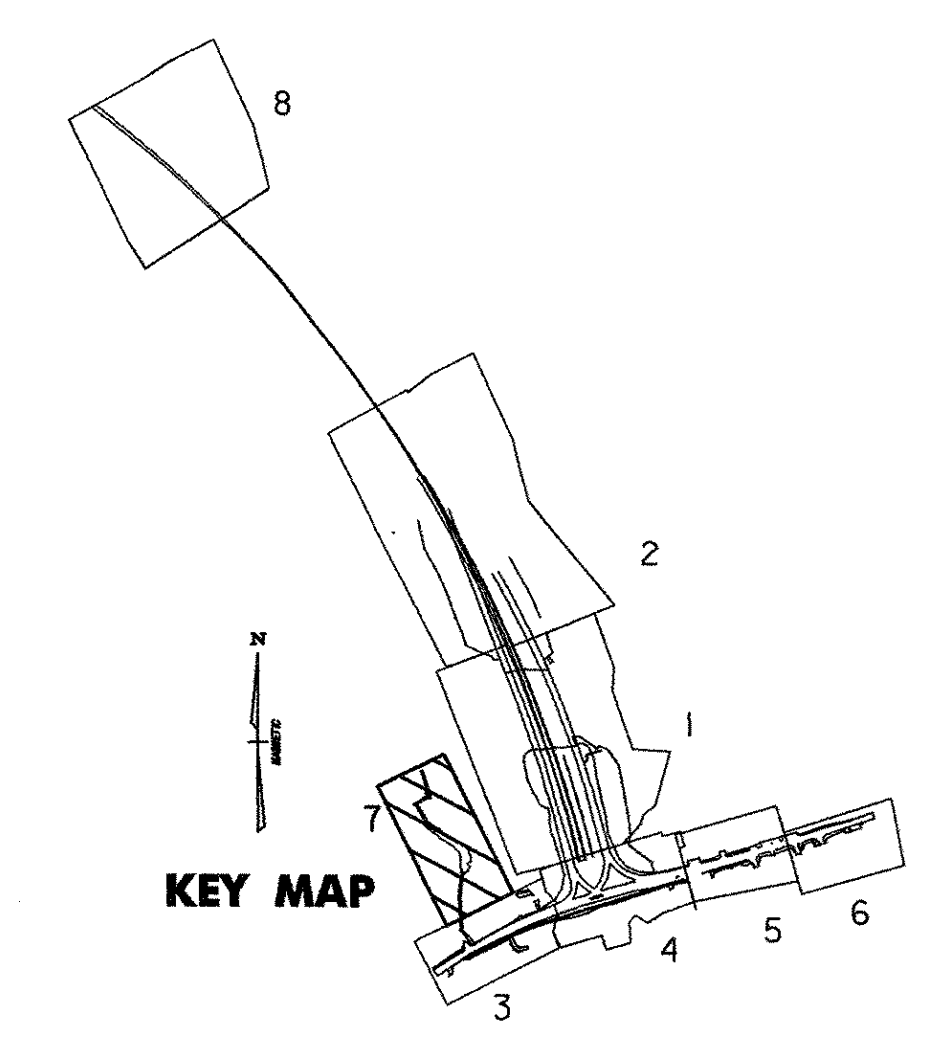
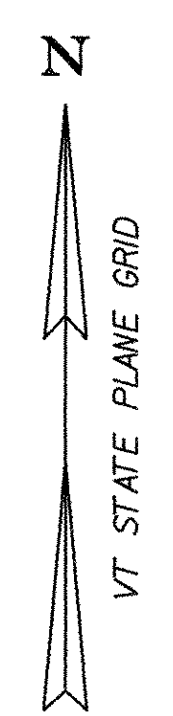


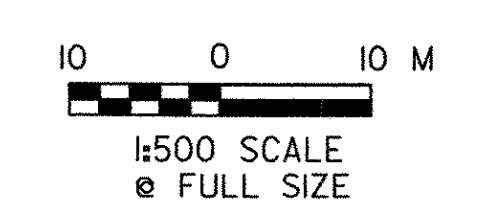
**EROSION MATTING (IN TEMPORARY DITCHES)**  
 STA. DRN 60+106.5, @ - STA. DRN 60+195.5, @

**SEED, WINTER RYE**  
 STA. DRN 60+045.5, @ - STA. DRN 60+290.0, @

**HAY MULCH**  
 STA. DRN 60+045.5, @ - STA. DRN 60+290.0, @



**VEGETATED TREATMENT SWALE 6a**



**VERMONT AGENCY OF TRANSPORTATION**



PROJECT NAME: BENNINGTON	PLOT DATE: 1/30/2009
PROJECT NUMBER: AC NH 019-1(51)	DRAWN BY: STANTEC
FILE NAME: ...z307ero.plan.ec-07.ptf	CHECKED BY: GARY SANTY
DESIGN SUPERVISOR: GREG EDWARDS	SHEET 96 OF 367
DESIGNED BY: MARC FOISY	
<b>EROSION CONTROL PLAN EC-07</b>	

V:\953\getfive\953\0002\transportation\drawing\contract\Adot\_files\z307ero.plan.ec-07.ptf