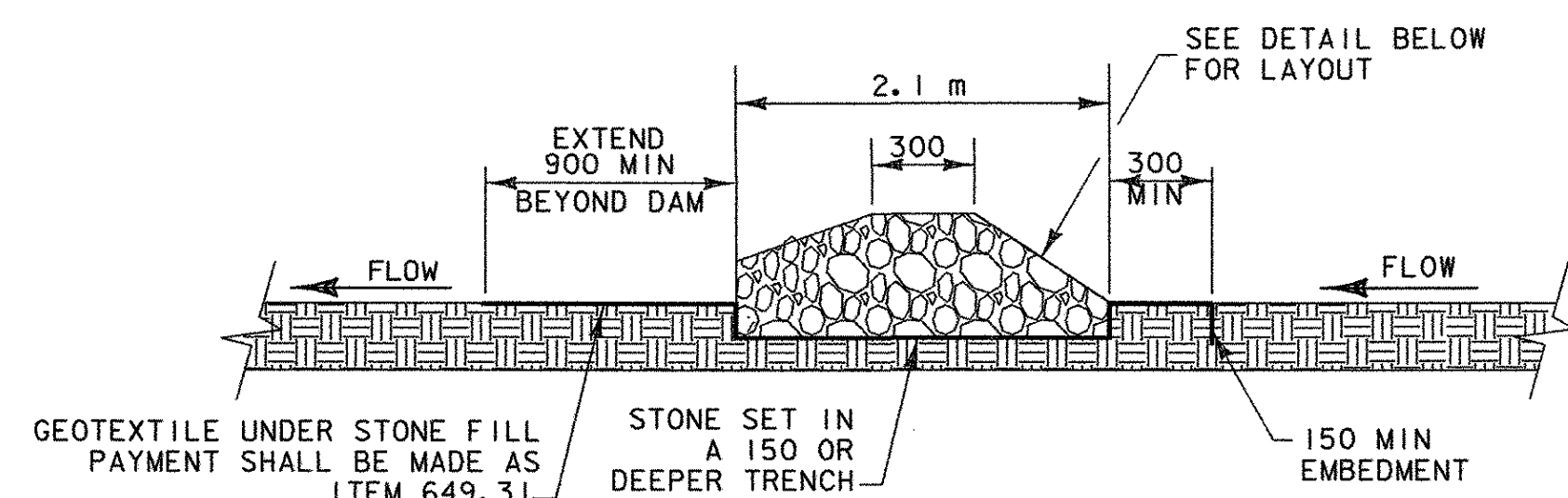
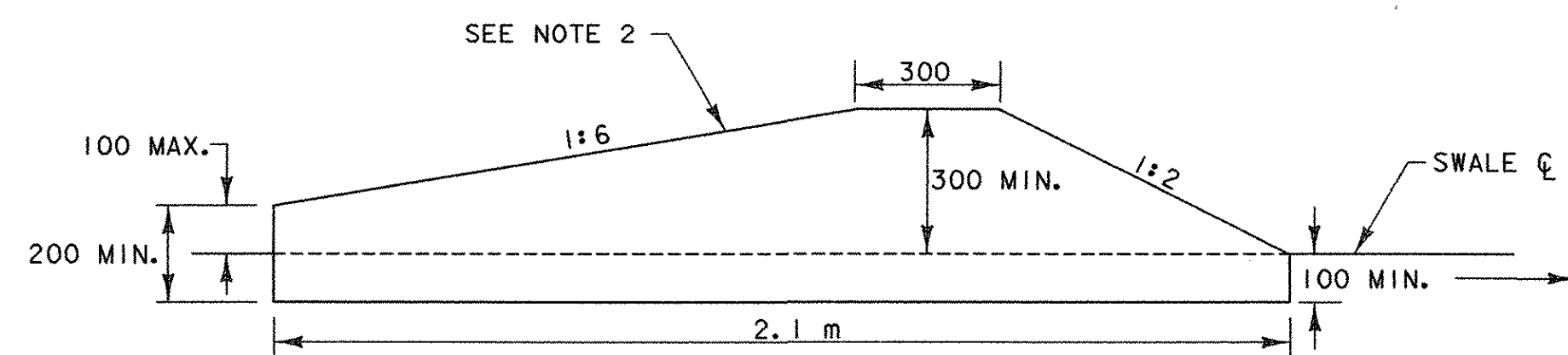


ITEM 900.608 PERMANENT STONE CHECK DAM
NOT TO SCALE

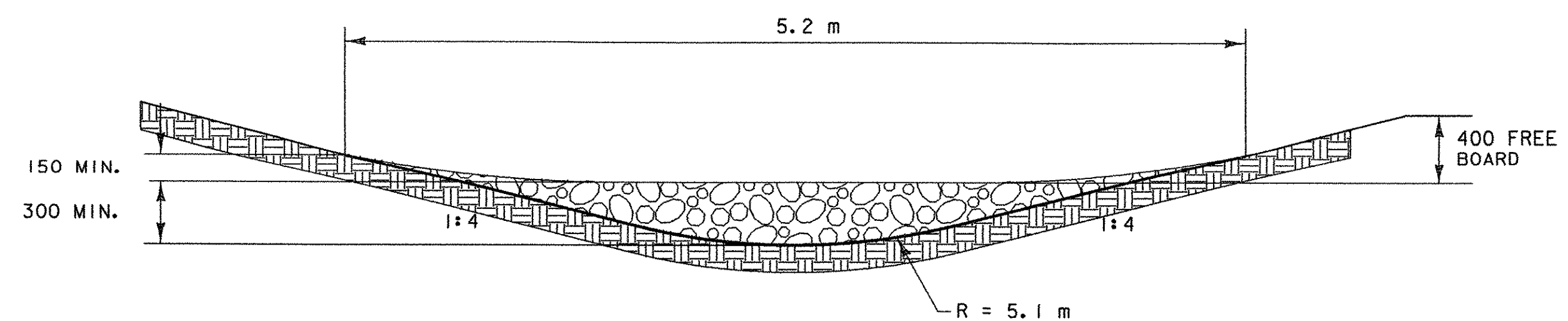


PERMANENT STONE CHECK DAM, SECTION A-A
NOT TO SCALE

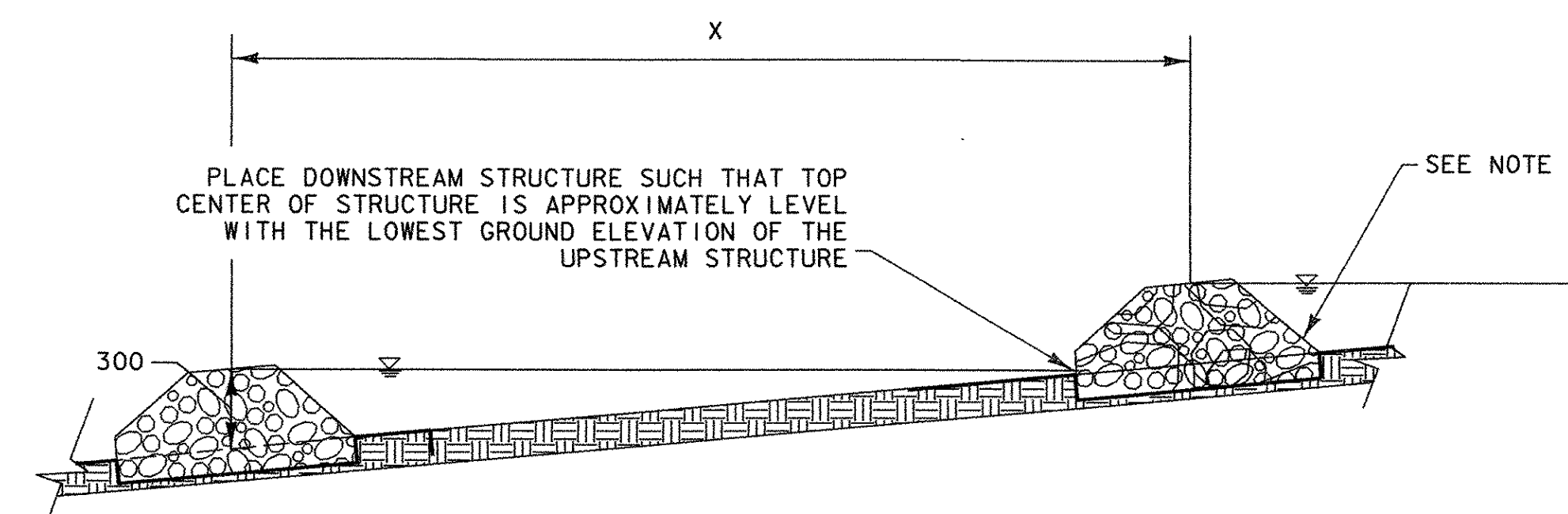


DETAILED LAYOUT (SECTION)
NOT TO SCALE

FOR PERMANENT STONE CHECK DAMS LOCATED WITHIN THE CLEAR ZONE AND NOT PROTECTED BY GUARDRAIL.



PERMANENT STONE CHECK DAM, SECTION B-B
NOT TO SCALE



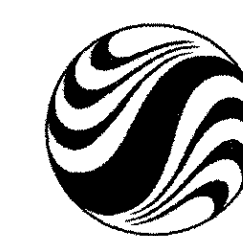
PERMANENT STONE CHECK DAM, SECTION C-C
NOT TO SCALE

STONE CHECK DAM PLACEMENT INTERVAL	
DITCH SLOPE	INTERVAL DIMENSION 'X'
1/2	30 m
2/2	15 m
3/2	10 m
4/2	7.5 m
5/2	6 m
6/2	5 m
8/2	3.75 m
10/2	3 m

NOTES:

- ALL DIMENSIONS ARE IN MILLIMETERS (mm) EXCEPT WHERE NOTED.
- SIDE SLOPES FACING ONCOMING TRAFFIC SHALL BE 1v:6h. ALL OTHER SLOPES SHALL BE 1v:2h.

VERMONT AGENCY OF TRANSPORTATION



PROJECT NAME: BENNINGTON
PROJECT NUMBER: AC NH 019-1(51)
FILE NAME: ...\\plot files\zd307cls\swm-det4.ptf PLOT DATE: 1/30/2009
DESIGN SUPERVISOR: GREG EDWARDS DRAWN BY: STANTEC
DESIGNED BY: MARC FOISY CHECKED BY: GARY SANTY
STORMWATER MANAGEMENT DET. SWM-04 SHEET 88 OF 367

V:\953\active\9530002\transportation\drawing\cont\road\1\3\det files\zd307cls\swm-det4.plt