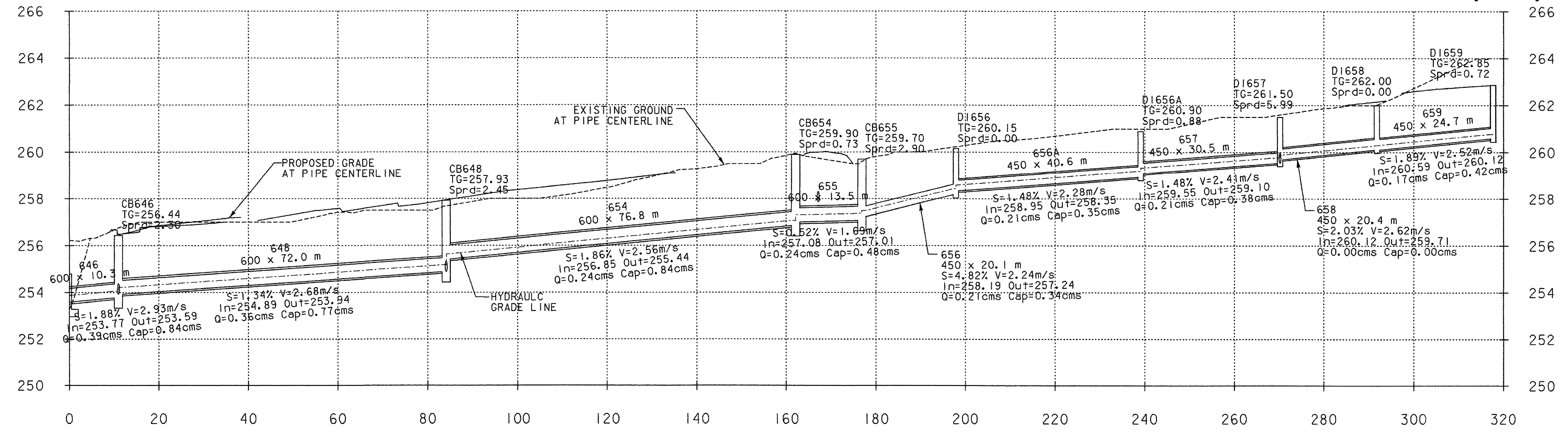


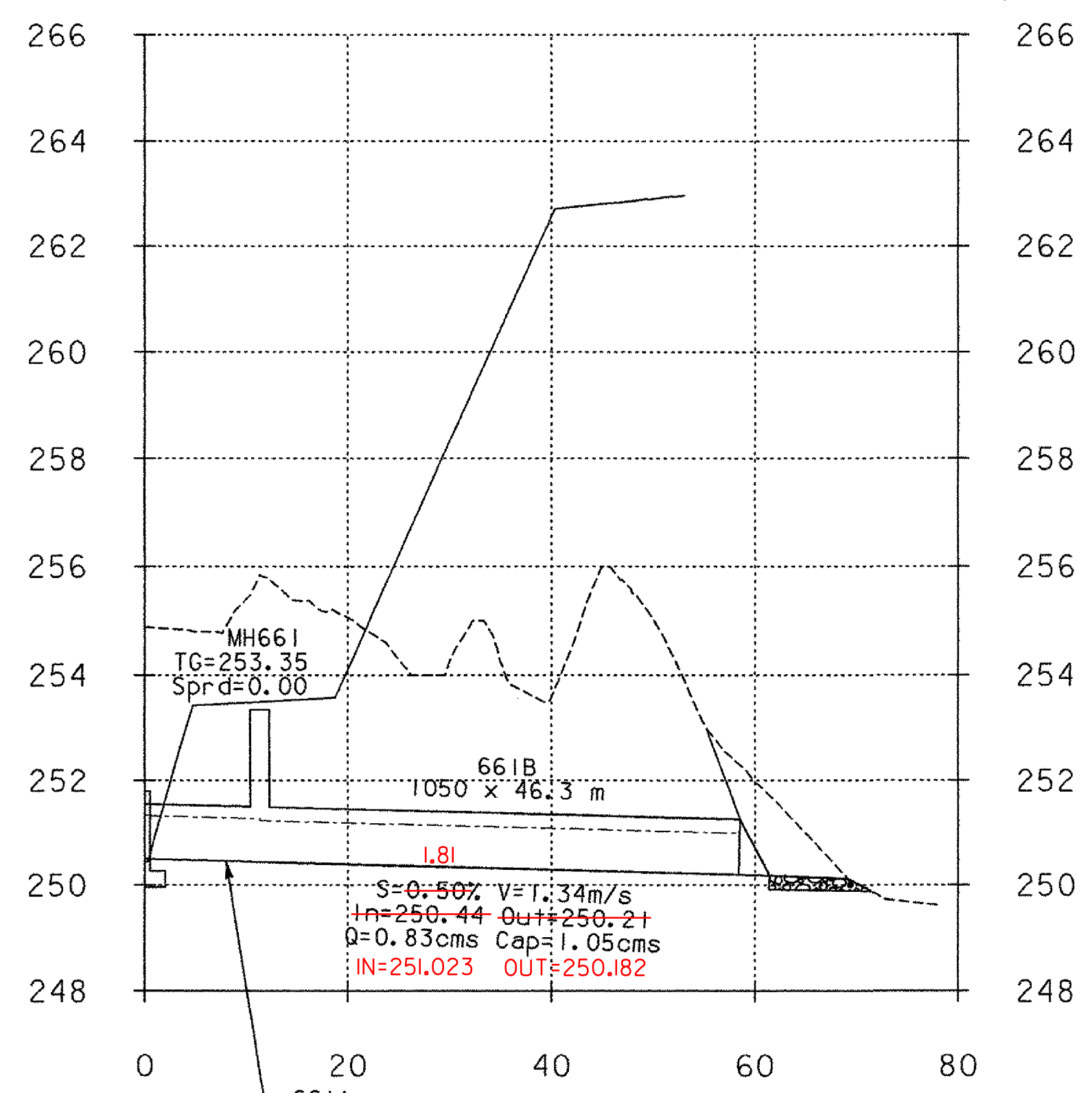
646 - DI659
VT 1+514 - VT 1+800

DP-04, DP-05, DP-06



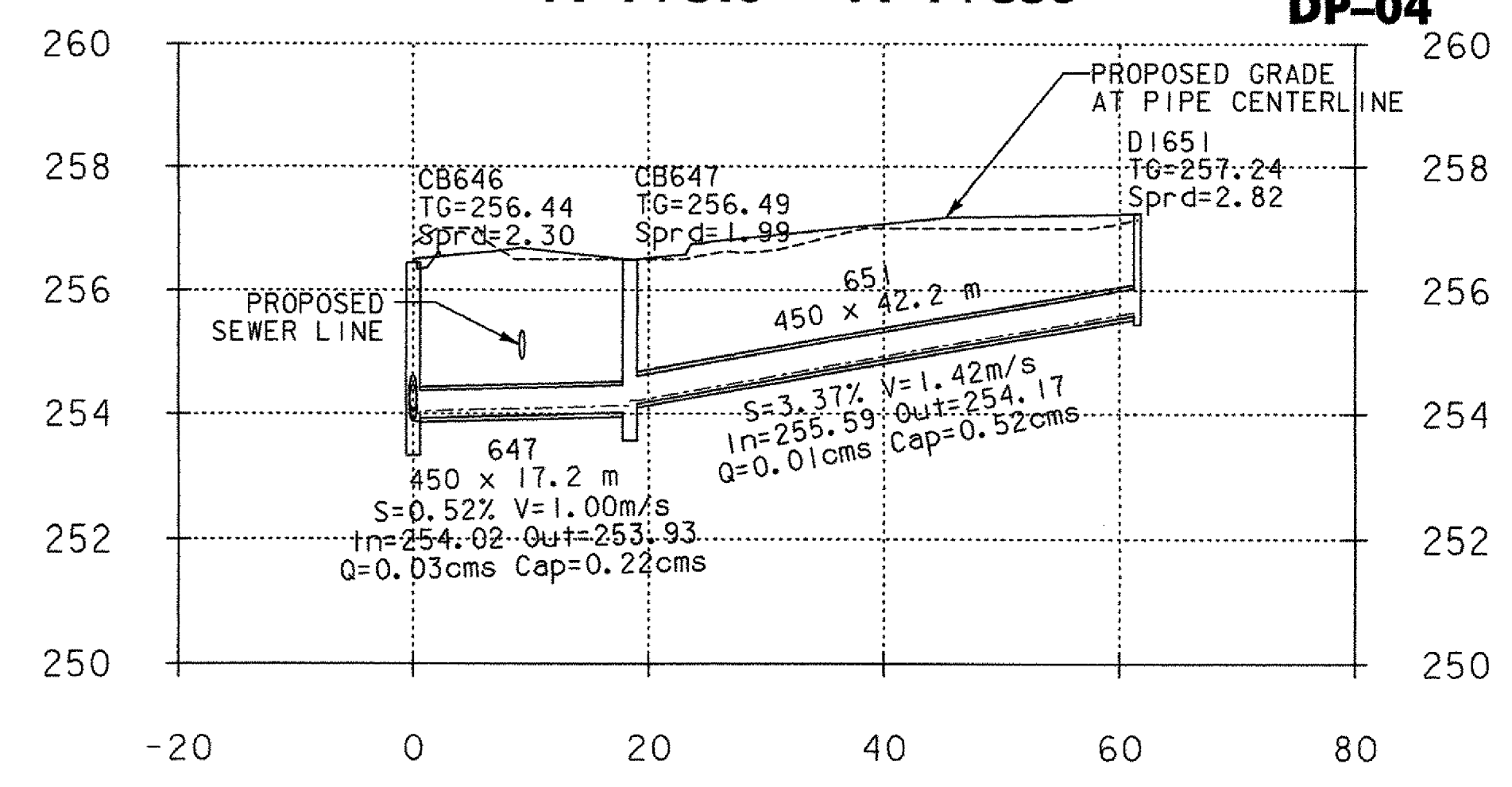
661A - 661B
D 1+215 - D 1+263

DP-01



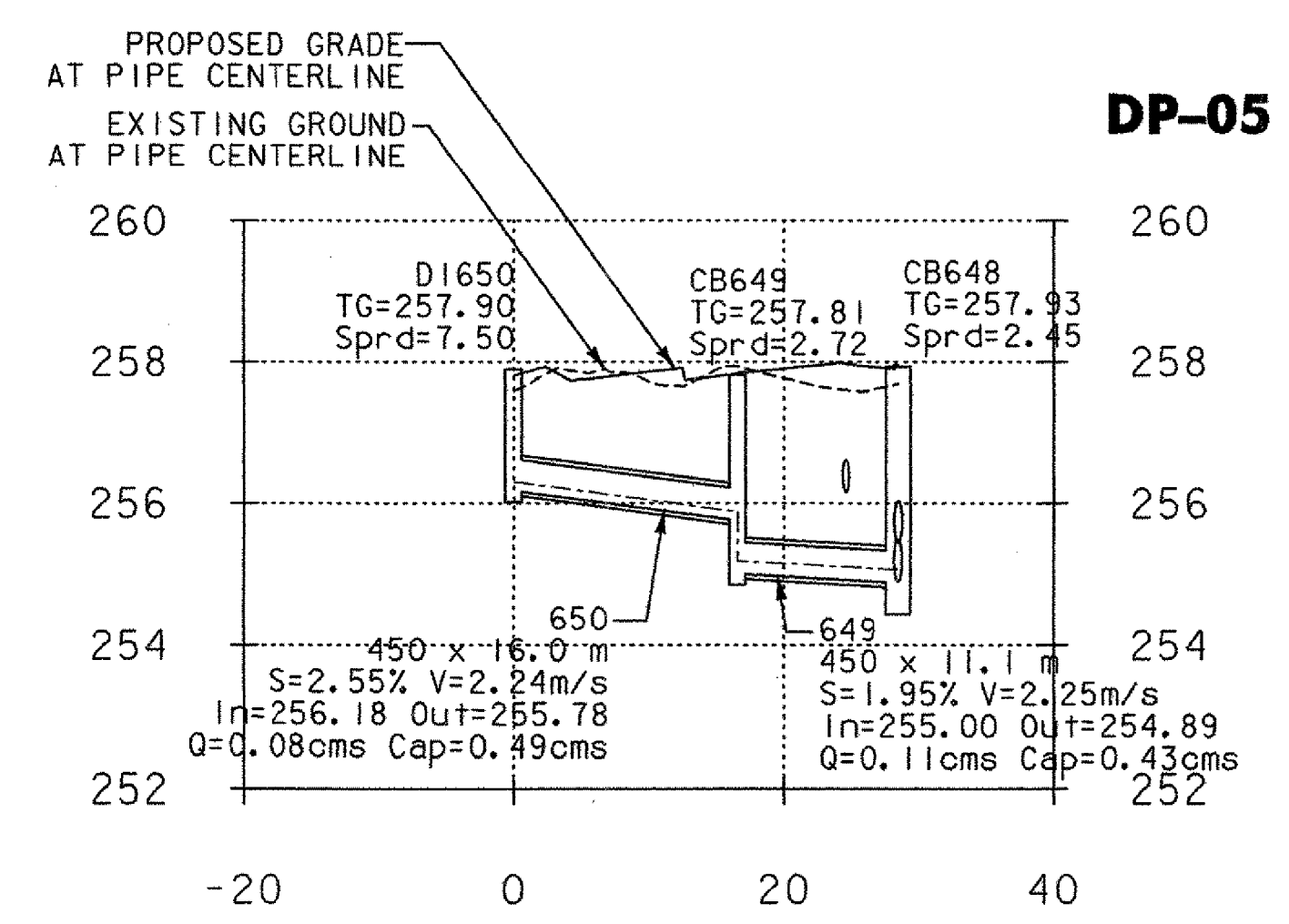
CB646 - DI651
VT 1+513 - VT 1+556

DP-04



DI650 - DI648
VT 1+572 - VT 1+586

DP-05

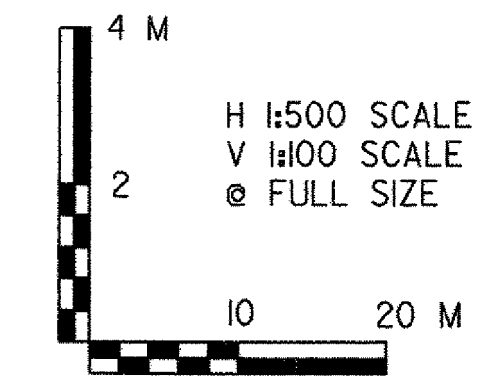


SYSTEM 6

VERMONT AGENCY OF TRANSPORTATION



PROJECT NAME: BENNINGTON
 PROJECT NUMBER: AC NH 019-(K51)
 FILE NAME: ...plot files\vd307cldrn.pro.ptf PLOT DATE: 1/30/2009
 DESIGN SUPERVISOR: GREG EDWARDS DRAWN BY: STANTEC
 DESIGNED BY: MARC FOISY CHECKED BY: GARY SANTY
DRAINAGE PROFILE SHEET DPRO-05 SHEET 84 OF 367



NOTE:
 HYDRAULIC GRADELINES SHOWN IN PROFILES ARE BASED ON THE FLOW OF THE DESIGN STORM Q10 FOR CLOSED DRAINAGE AND Q50 FOR CULVERTS

V:\953\active\19531002\transportation\vdrawing\contract.L\plot_files\vd307cldrn.pro.ptf