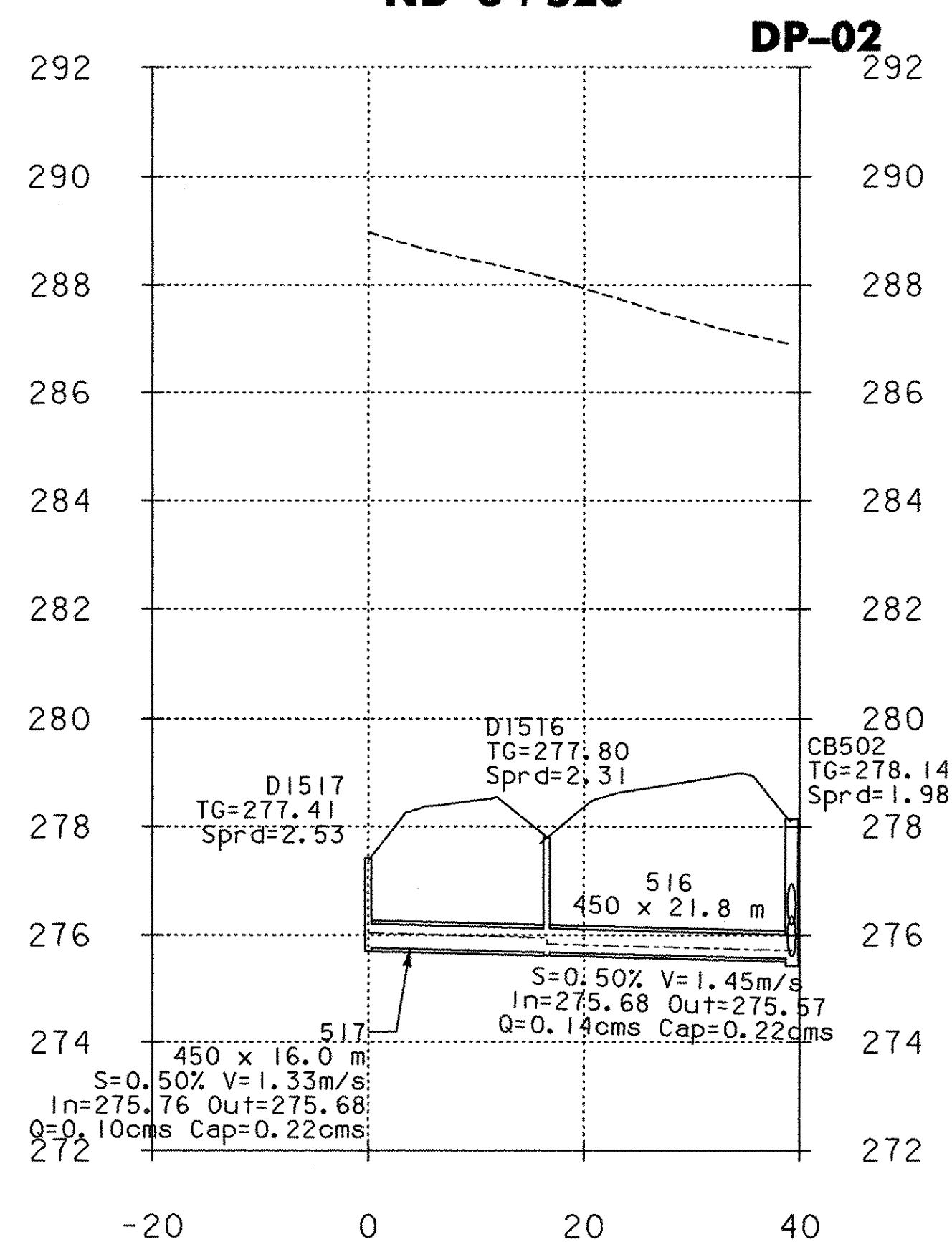
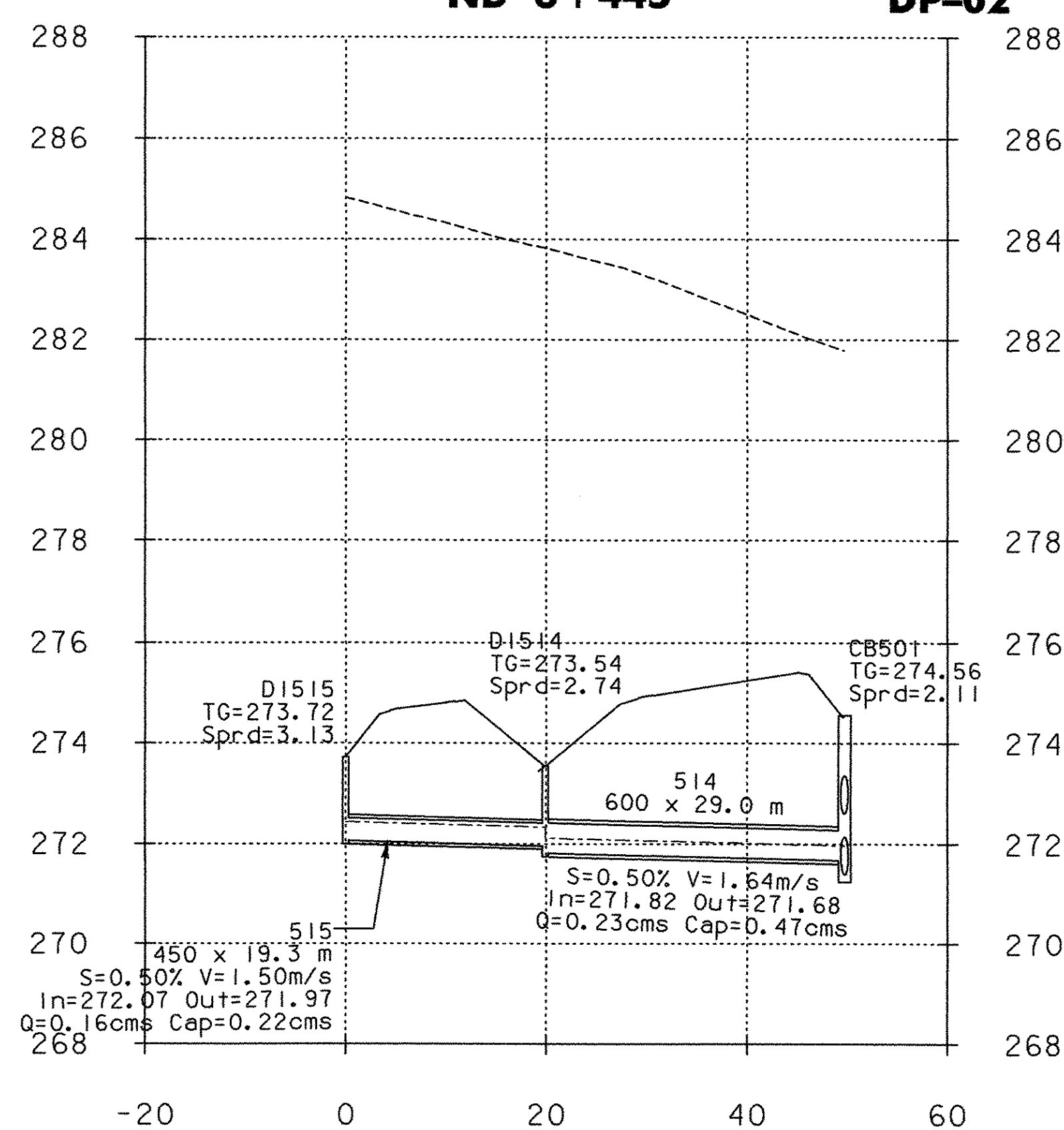


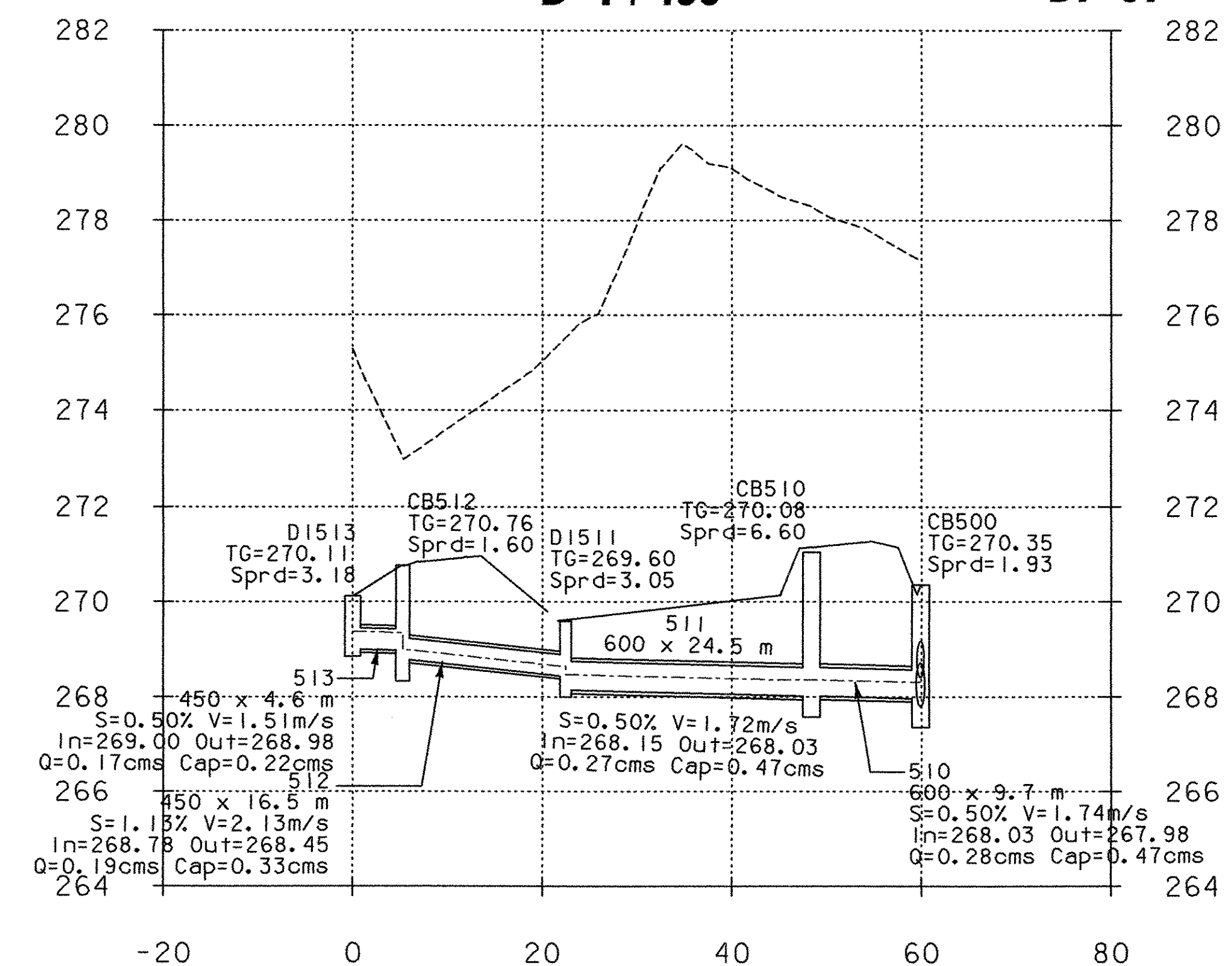
**DI517 - CB502  
NB 6+520**



**DI515 - CB501  
NB 6+445**

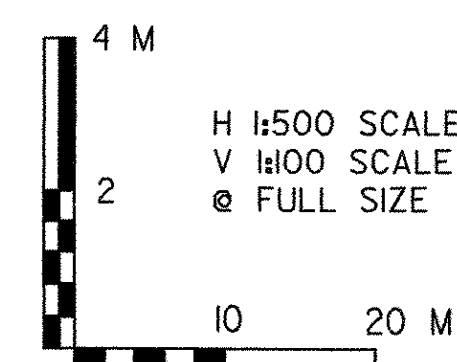


**DI513 - CB500  
D 1+400**



V:\953\active\953\0002\transportation\drawing\contract\plot\_files\zd307\cldr\_n\_pro.pptf

NOTE:  
HYDRAULIC GRADELINES SHOWN IN PROFILES ARE BASED ON THE  
DESIGN STORM Q10 FOR CLOSED DRAINAGE AND Q50 FOR CULVERTS



## SYSTEM 5

VERMONT AGENCY OF TRANSPORTATION



PROJECT NAME: BENNINGTON  
PROJECT NUMBER: AC NH 019-1(51)

FILE NAME: ...\plot\_files\zd307\cldr\_n\_pro.pptf PLOT DATE: 1/30/2009  
DESIGN SUPERVISOR: GREG EDWARDS DRAWN BY: STANTEC  
DESIGNED BY: MARC FOISY CHECKED BY: GARY SANTY  
**DRAINAGE PROFILE SHEET DPRO-02** SHEET 81 OF 367