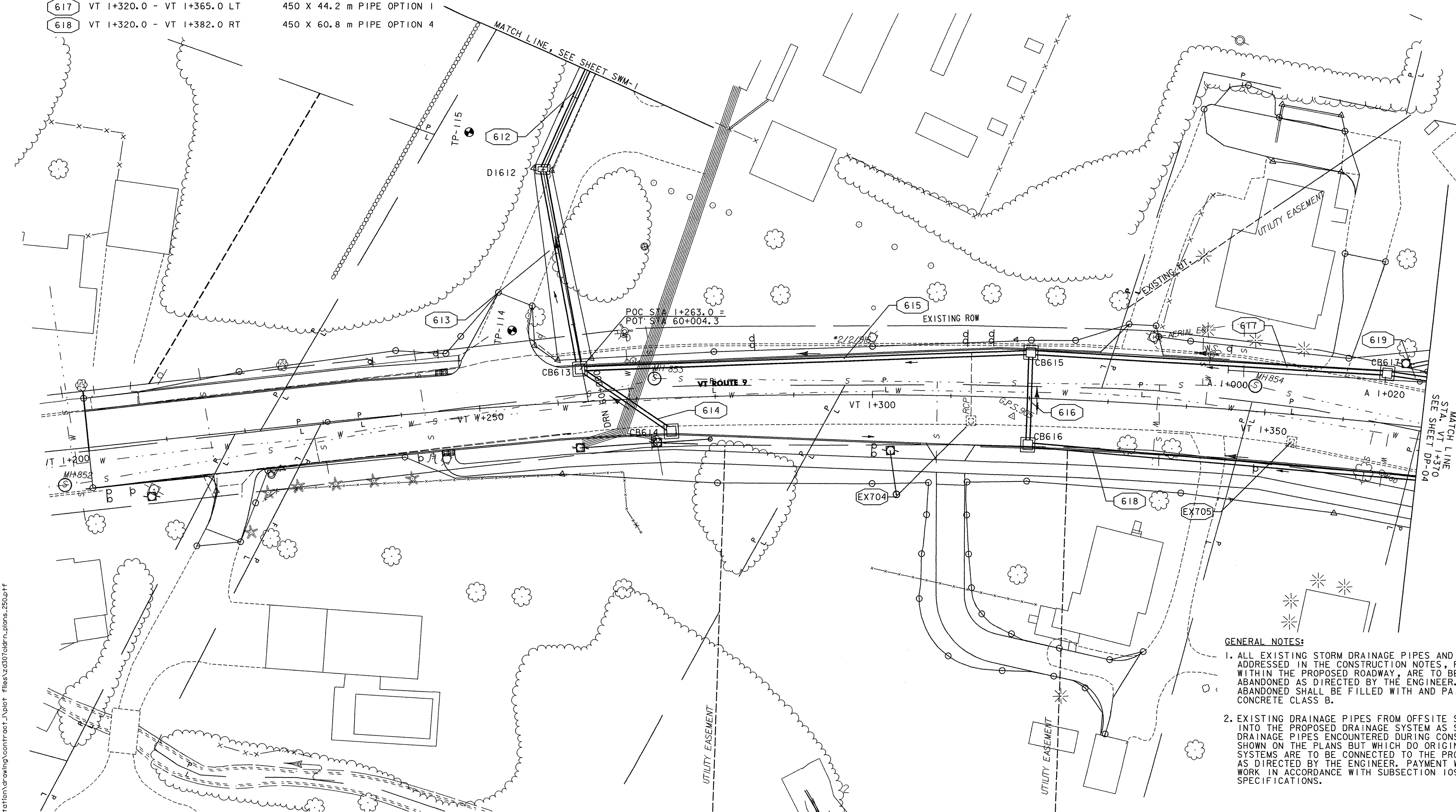


PIPE #	LOCATION	NEW DRAINAGE PIPES	COMMENTS
613	VT 1+263.0 LT	- DRN 60+030.6	600 X 25.6 m PIPE OPTION 4
614	VT 1+263.0 LT - VT 1+274.0 RT		450 X 13.3 m PIPE OPTION 1
615	VT 1+263.0 - VT 1+320.0 LT		600 X 56.5 m PIPE OPTION 4
619	VT 1+365.0 - VT 1+401.0		450 X 35.4 m PIPE OPTION 4
616	VT 1+320.0 LT-RT		450 X 10.8 m PIPE OPTION 4
617	VT 1+320.0 - VT 1+365.0 LT		450 X 44.2 m PIPE OPTION 1
618	VT 1+320.0 - VT 1+382.0 RT		450 X 60.8 m PIPE OPTION 4

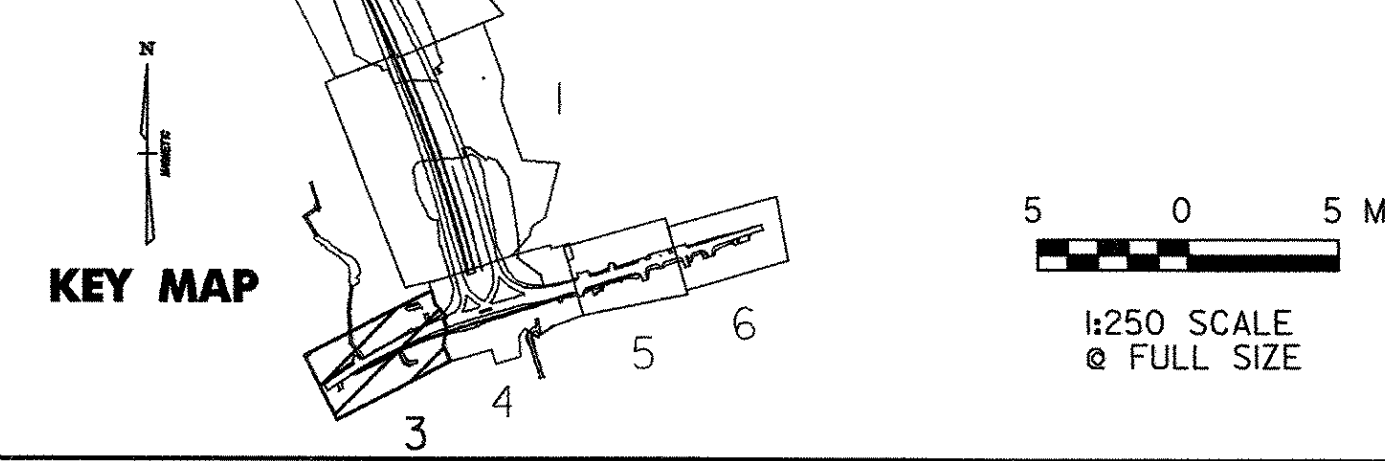
PIPE #	LOCATION	COMMENTS
612	DRN 60+030.6 - DRN 60+075.6 @	600 X 44.4 m PIPE OPTION 4

STRUCTURE #	LOCATION	COMMENTS
D1612	DRN 60+030.6 CL	TYPE A GRATE
CB613	VT 1+263.0 LT	TYPE E GRATE
CB614	VT 1+274.0 RT	TYPE E GRATE
CB615	VT 1+320.0 LT	TYPE E GRATE
CB616	VT 1+320.0 RT	TYPE E GRATE
CB617	VT 1+365.0 LT	TYPE E GRATE



- GENERAL NOTES:**
- ALL EXISTING STORM DRAINAGE PIPES AND STRUCTURES NOT ADDRESSED IN THE CONSTRUCTION NOTES, FOUND TO BE COMPLETELY WITHIN THE PROPOSED ROADWAY, ARE TO BE REMOVED OR ABANDONED AS DIRECTED BY THE ENGINEER. ALL PIPES TO BE ABANDONED SHALL BE FILLED WITH AND PAID FOR AS CONCRETE CLASS B.
 - EXISTING DRAINAGE PIPES FROM OFFSITE SYSTEMS ARE TO BE TIED INTO THE PROPOSED DRAINAGE SYSTEM AS SHOWN. ANY EXISTING DRAINAGE PIPES ENCOUNTERED DURING CONSTRUCTION WHICH ARE NOT SHOWN ON THE PLANS BUT WHICH DO ORIGINATE FROM OTHER OFFSITE SYSTEMS ARE TO BE CONNECTED TO THE PROPOSED DRAINAGE SYSTEM AS DIRECTED BY THE ENGINEER. PAYMENT WILL BE MADE AS EXTRA WORK IN ACCORDANCE WITH SUBSECTION 109.06 OF THE VTRANS SPECIFICATIONS.

PIPE #	LOCATION	COMMENTS
EX704	VT 1+313.0 RT	REMOVE EXISTING DRAINAGE STRUCTURE REMOVE ASSOCIATED PIPES
EX705	VT 1+354.0 RT	REMOVE EXISTING DRAINAGE STRUCTURE REMOVE ASSOCIATED PIPES



VERMONT AGENCY OF TRANSPORTATION

PROJECT NAME: BENNINGTON	PLOT DATE: 1/30/2009
PROJECT NUMBER: AC NH 019-1(51)	DRAWN BY: STANTEC
FILE NAME: ...zd307oldrn_plans.250.ppf	CHECKED BY: GARY SANTY
DESIGN SUPERVISOR: GREG EDWARDS	SHEET 76 OF 367
DESIGNED BY: MARC FOISY	
DRAINAGE PLAN DP-03	

V:\953\loc\live\19530002\transportation\drawing\contract\1\1\diets\files\zd307oldrn_plans.250.ppf