

REMOVAL OF EXISTING FENCE
 STA. D 1+410.000, 17.9m RT. - STA. D 1+448.658, 53.7m RT. (EXIST BARRIER FENCE)
 STA. NB 6+403.626, 73.1m LT. - STA. NB 6+428.025, 41.2m RT. (EXIST PDF)
 STA. A 1+668.254, 25.5m LT. - STA. A 1+737.893, 25.95m LT. (EXIST BARRIER FENCE)

PROJECT DEMARCATION FENCE
 STA. A 1+400.000, 31.0m LT. - STA. A 1+563.527, 14.3m LT.
 STA. D 1+447.641, 26.8m RT. - STA. D 1+457.405, 27.4m RT.
 STA. D 1+488.130, 36.4m RT. - STA. D 1+571.731, 13.2m RT.

WOVEN WIRE FENCE WITH STEEL POSTS
 STA. A 1+400.000, 48.5m LT. - STA. A 1+429.394, 42.6m LT.
 STA. D 1+410.133, 54.0m RT. - STA. D 1+435.805, 56.9m RT.

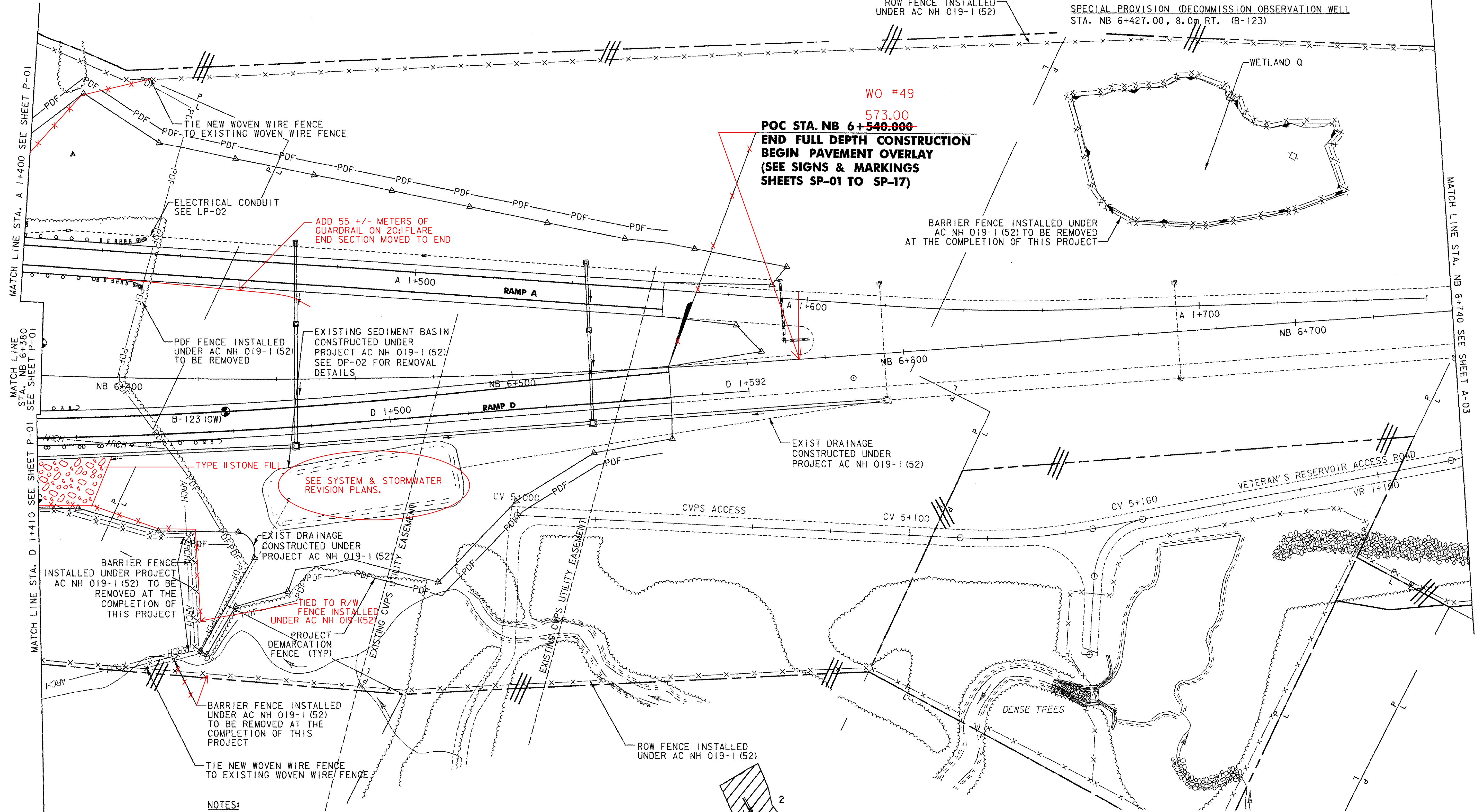
STEEL BEAM GUARDRAIL, GALVANIZED 474.20
 STA. A 1+400.000, 1.8m LT. - STA. A 1+419.270, 1.8m LT.
 STA. A 1+400.000, 6.6m RT. - STA. A 1+419.270, 6.6m RT.
 STA. D 1+410.000, 6.6m LT. - STA. D 1+420.873, 6.6m LT.
 STA. D 1+410.000, 1.8m RT. - STA. D 1+456.851, 1.8m RT.
520.00

ANCHOR FOR STEEL BEAM RAIL 518.00
 STA. D 1+418.873, 6.6m LT.
 STA. D 1+454.851, 1.8m RT.

MANUFACTURED TERMINAL SECTION, FLARED
 STA. A 1+419.270, 1.8m LT.
 STA. A 1+419.270, 6.6m RT.
1+474.20

BITUMINOUS CONCRETE CURB, TYPE A
 STA. A 1+400.000, 1.8m LT. - STA. A 1+419.270, 1.8m LT.
 STA. A 1+400.000, 6.6m RT. - STA. A 1+419.270, 6.6m RT.
 STA. D 1+410.000, 6.6m LT. - STA. D 1+416.407, 6.6m LT.
 STA. D 1+410.000, 1.8m RT. - STA. D 1+452.393, 1.8m RT.

SPECIAL PROVISION (DECOMMISSION OBSERVATION WELL)
 STA. NB 6+427.00, 8.0m RT. (B-123)

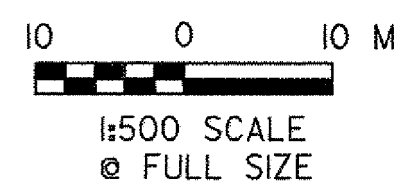
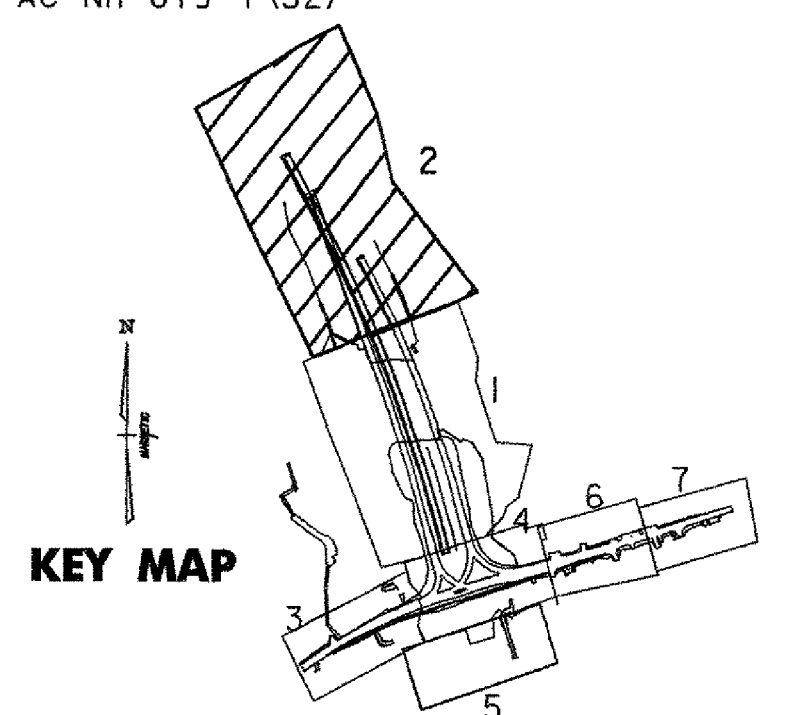


WO #49
573.00
POC STA. NB 6+540.000
END FULL DEPTH CONSTRUCTION
BEGIN PAVEMENT OVERLAY
(SEE SIGNS & MARKINGS
SHEETS SP-01 TO SP-17)

ADD 55 +/- METERS OF
GUARDRAIL ON 20:1 FLARE
END SECTION MOVED TO END

SEE SYSTEM & STORMWATER
REVISION PLANS.

- NOTES:**
1. RAMP D STA. D 1+390 - D 1+415 RT. NO SLOPE ROUNDING WILL BE USED SEE SECTIONS.
 2. IN LOCATIONS WITH BITUMINOUS CONCRETE CURB AND ADDITIONAL PAVEMENT WIDTH OF 2.25 IS REQUIRED SEE TYPICAL SECTION SHEET TYP-02



VERMONT AGENCY OF TRANSPORTATION



PROJECT NAME:	BENNINGTON
PROJECT NUMBER:	AC NH 019-1(51)
FILE NAME:	...z307cigen_plans_500.pff
DESIGN SUPERVISOR:	GREG EDWARDS
DESIGNED BY:	MARC FOISY
GENERAL PLAN P-02	
PLOT DATE:	2/3/2009
DRAWN BY:	STANTEC
CHECKED BY:	GARY SANTY
SHEET	67 OF 367

V:\953\loc\ve\9530002\Fr\enr\pdr\for\on\dr\awing\confr\act_1\p1.dwg - files\z307cigen_plans_500.pff