

RIGHT - OF - WAY DETAIL SHEET

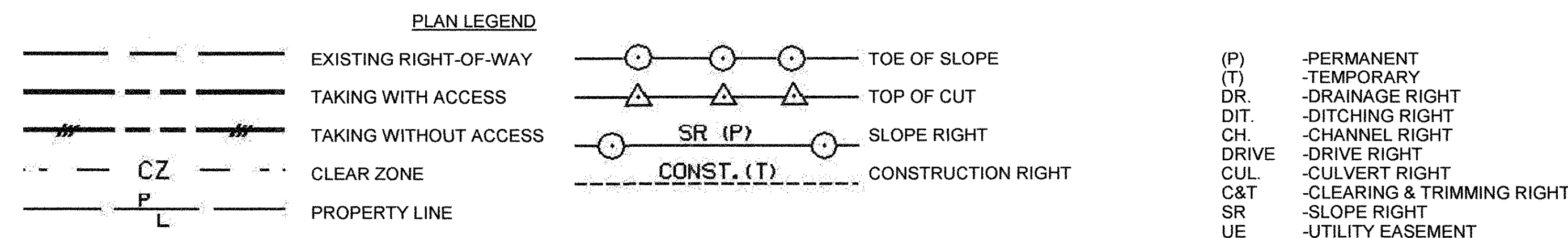


TABLE OF PROPERTY ACQUISITION

PARCEL NO.	PROPERTY OWNER	SHEET NO.	BEGINNING STATION	ENDING STATION	TAKE AREA ±	REMAINDER AREA ±	RIGHT			RECORDING DATA				REMARKS	
							TYPE	(T)/(P)	AREA ±	TITLE	DATE	TOWN / CITY	BOOK		PAGE
12A	STATE OF VERMONT	32,AA	VT 1+441.72 RT	VT 1+487.62 RT	0.17± HA					WD	8/28/2001	BENNINGTON	374	62	0.42± A FORMERLY PINSKER, RUTH
12B		32,AA	VT 1+460.21 RT	VT 1+487.62 RT	0.016± HA		ALL R, T, & I								1722± SF HWY EASE TH 506
				TOTAL	0.186± HA										0.46± A
13A	STATE OF VERMONT	28,32,AA	VT 1+456.65 RT	VT 1+497.82 RT	0.14± HA					WD	6/9/2005	BENNINGTON	421	58	0.35± A FORMERLY STEWART, JOHN S.
13B		28,AA	VT 1+471.65 RT	VT 1+498.67 RT	0.019± HA		ALL R, T, & I								2045± SF HWY EASE TH 2 / VT RTE 9
				TOTAL	0.159± HA										0.39± A
14A	NILES, RANDALL C. & RITA C.	28,AA	VT 1+497.28 RT	VT 1+517.45 RT	71± SM					WD	5/8/2007	BENNINGTON	443	117	764± SF REGRADE, SEED & MULCH EX GRAV DRIVE 3.6 m BIT. CHAINLINK FENCE WATER & SEWER SERVICES
		28	VT 1+499.6 RT				REMOVE & REPLACE	T							
		28,32	VT 1+502.5 RT	NB 5+914.5 RT			DRIVE	T							
		28	VT 1+497.8 RT	VT 1+517.45 RT			REMOVE & RESET	T							
		28	VT 1+497.28 RT	VT 1+517.20 RT			DISCON & RECON	T							
		28	VT 1+497.3 RT	VT 1+517.2 RT			LANDSCAPE	T							
14B		28,AA	VT 1+497.82 RT	VT 1+518.24 RT	0.015± HA		ALL R, T, & I								1614± SF HWY EASE TH 2 / VT RTE 9
				TOTAL	0.022± HA										2378± SF
15A	STATE OF VERMONT	27,31,AA	VT 1+328.67 RT	VT 1+368.76 RT	0.18± HA					WD	1/15/2002	BENNINGTON	378	172	0.45± A FORMERLY GUERARD, DEBORAH A. & BABCOCK, SHIRLEY F.
15B		27,AA	VT 1+346.82 RT	VT 1+369.80 RT	0.016± HA		ALL R, T, & I								1722± SF HWY EASE TH 2 / VT RTE 9
				TOTAL	0.196± HA										0.48± A
16A	KIPP, BRENT & RACHEL	27,AA	VT 1+289.00 RT	VT 1+346.82 RT	0.032± HA					COND	4/19/2007	BENNINGTON	443	5	344± SF PROPERTY CORNER MONUMENT GUY WIRE 3.6 m BIT. WATER & SEWER SERVICES REGRADE, SEED, MULCH EXIST GRAV DR
		27	VT 1+289.00 RT	VT 1+292.46 RT			REMOVE & REPLACE	T							
		27	VT 1+303.1 RT				INSTALL & MAINTAIN	P							
		27	VT 1+310.0 RT				DRIVE	T							
		27	VT 1+289.00 RT	VT 1+345.70 RT			DISCON & RECON	T							
		27	VT 1+342.5 RT				REMOVE	T							
		27	VT 1+289.0 RT	VT 1+345.7 RT			LANDSCAPE	T							
16B		27,AA	VT 1+292.30 RT	VT 1+348.28 RT	0.040± HA		ALL R, T, & I								4305± SF HWY EASE TH 2 / VT RTE 9
				TOTAL	0.072± HA										0.18± A
17A	THOMAYER, HENRY & CYNTHIA (FORMERLY KNOWN AS CYNTHIA HAMILTON)	27,AA	VT 1+244.09 RT	VT 1+292.30 RT	0.014± HA					COND	4/19/2007	BENNINGTON	443	5	1507± SF 205± SF PROPERTY CORNER MONUMENT
		27	VT 1+267.5 RT	VT 1+290.35 RT			SR	T	19± SM						
		27	VT 1+250.0 RT	VT 1+289.0 RT			LANDSCAPE	T							
		27	VT 1+289.00 RT	VT 1+292.46 RT			REMOVE & REPLACE	T							
17B		27,AA	VT 1+224.74 RT	VT 1+296.57 LT	0.051± HA		ALL R, T, & I								0.13± A HWY EASE TH 2 / VT RTE 9
				TOTAL	0.065± HA										0.16± A
18	BABCOCK, GEORGE A. & SHIRLEY E.	27	VT 1+218.0 RT				DRIVE	T		WD	10/24/2006	BENNINGTON	437	142	5.6 m GRAVEL
		27,AA	VT 1+213.74 RT	VT 1+229.72 RT	83± SM		ALL R,T,&I								893± SF HWY EASE TH 2 / VT RTE 9
				TOTAL	83± SM										893± SF
19	NOT USED														
20	STRICSEK, BARBARA G., GEORGE, GERALD P. & HAWKINS, DEBRA G.	27,AA	VT 1+200.00 LT	VT 1+227.54 LT	0.019± HA		ALL R, T, & I			COND	4/19/2007	BENNINGTON	443	5	2045± SF HWY EASE TH 2 / VT RTE.9
		27	VT 1+217.4 LT	VT 1+227.9 LT			SR	T	3± SM						32± SF
				TOTAL	0.019± HA										2045± SF

TABLE OF REVISIONS

REVISION NO.	SHEET NO.	DESCRIPTION	DATE
16	62, 88, 94, 94A, 112	PARCEL NO. 65 BENNINGTON SCHOOL DISTRICT, INC. ALL RIGHTS ELIMINATED ON DETAIL SHEET 8 (62 OF 112), ROW SHEET 17 (88 OF 112), ROW SHEET 22 (94 OF 112), ROW SHEET 22A (94A OF 112), AND ROW SHEET GG (112 OF 112) PER C.O. 9484	3/22/07
17	57, 69, 70, 100, 101, 106	PARCEL NO. 21 CENTRAL VERMONT PUBLIC SERVICE CORPORATION. ADDED PARCEL 21G ON DETAIL SHEET 3 (57 OF 112), ROW SHEET 5A (69 OF 112), ROW SHEET 6 (70 OF 112), ROW SHEET 28 (100 OF 112), AND ROW SHEET 29 (101 OF 112). CHANGED 'EASEMENT' TO 'FACILITIES' ON DETAIL SHEET 3 (57 OF 112). ELIMINATED PARCEL AT NB 8+211.0 LT - NB 8+316.47 LT, 0.20± HA (0.49±A) ON DETAIL SHEET 3 (57 OF 112) PER C.O. 9495	4/25/07
18	56-63	ADDED RECORDING DATA TO DETAIL SHEETS 2-9 (56-63 OF 112) PER C.O. 9500	11/2/07



APPROVED: ROGER P. DUMAS DATE: 12-07-05
CHIEF, PLANS & TITLES

PROJECT NAME: **Bennington**
PROJECT NUMBER: **AC NH 019-1(51)**
FILE NAME: **NORTH.XLS** PLOT DATE: **1/26/09**
PROJECT LEADER: **VSE** DRAWN BY: **GAK**
DESIGNED BY: **D-H** CHECKED BY: **JDP**
R.O.W. DETAIL SHEET #2 **RDS-02** SHEET **27** OF **367**