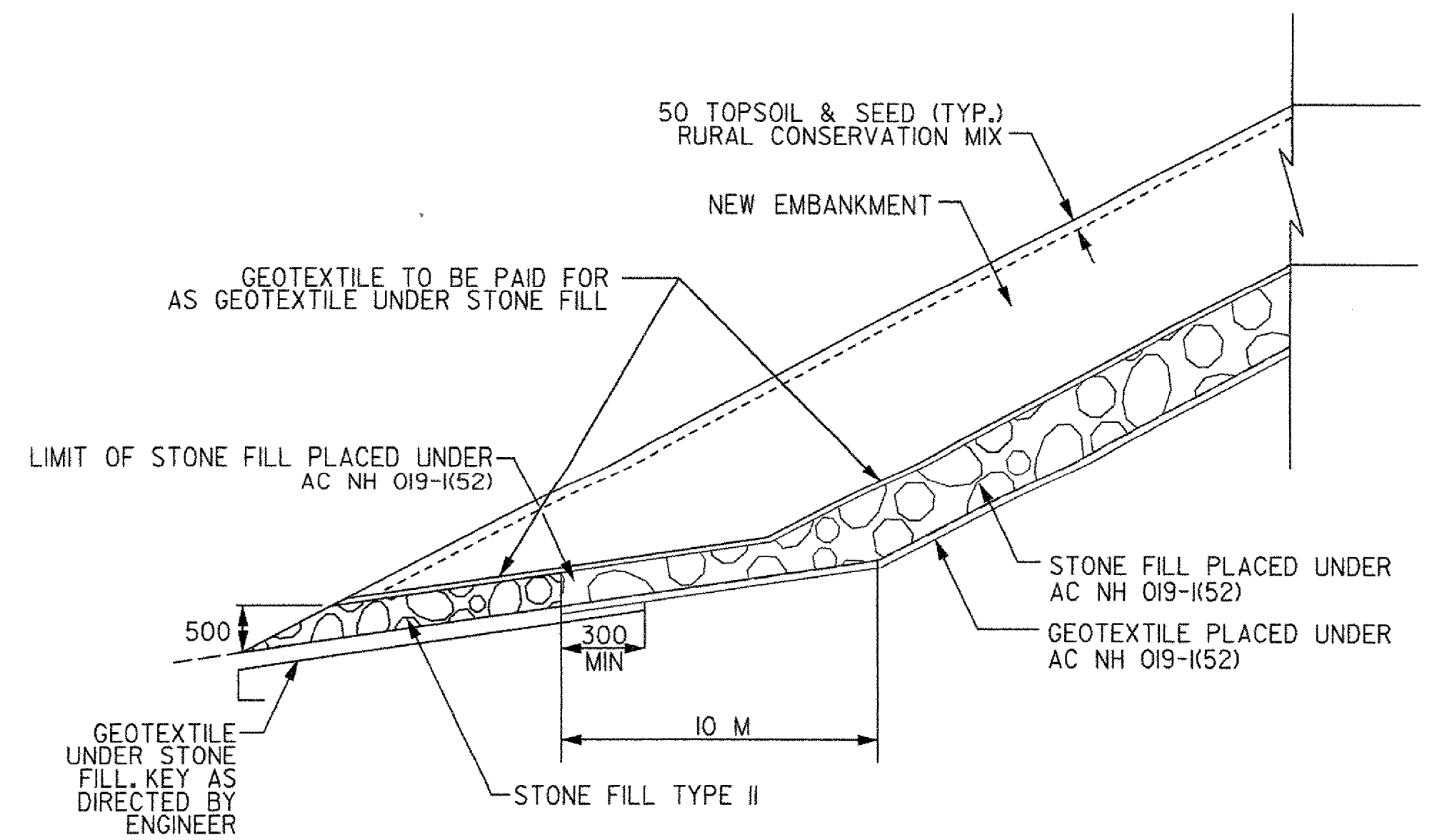
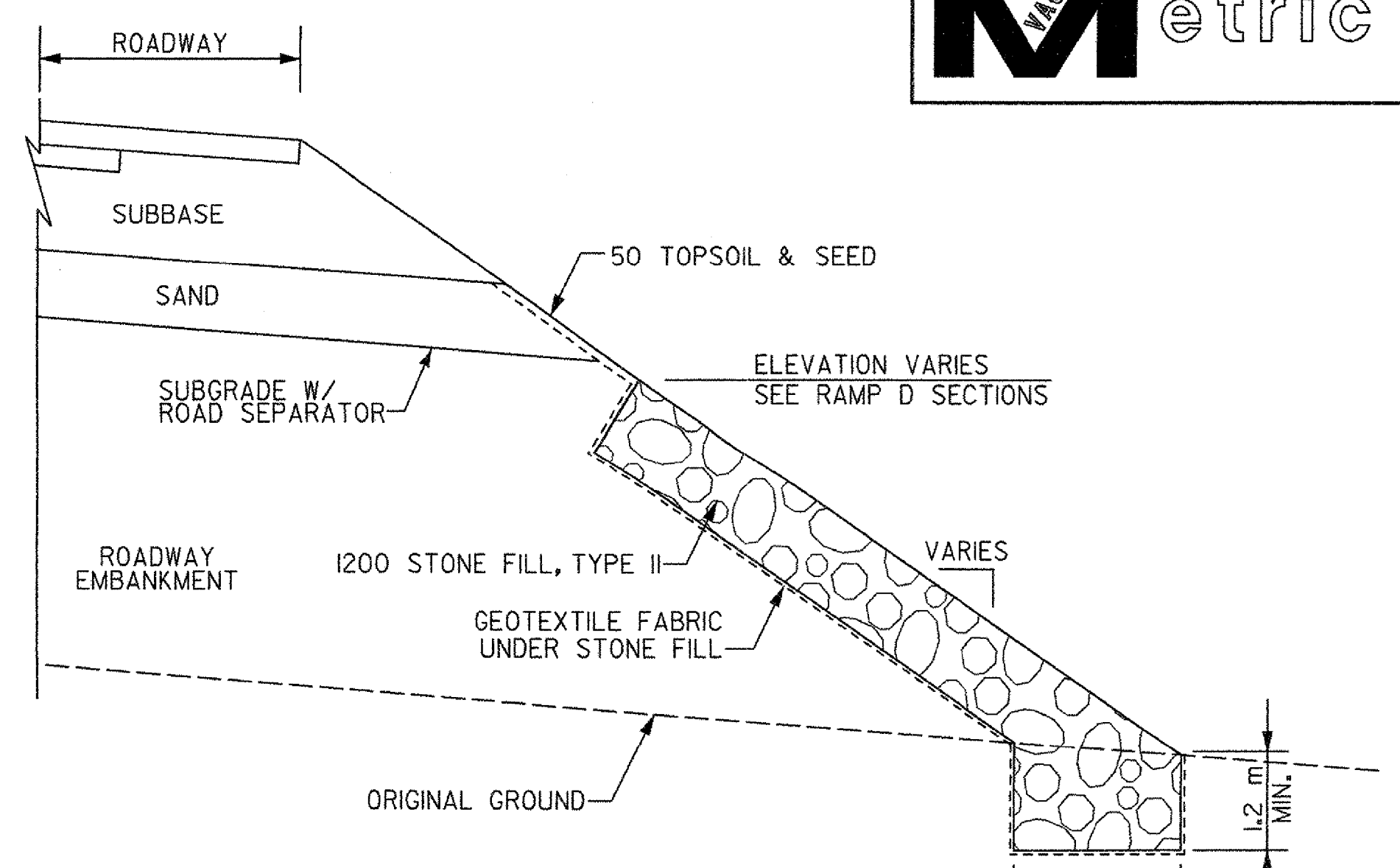


DETAIL AT VERTICAL COLD PLANE JOINTS
NOT TO SCALE



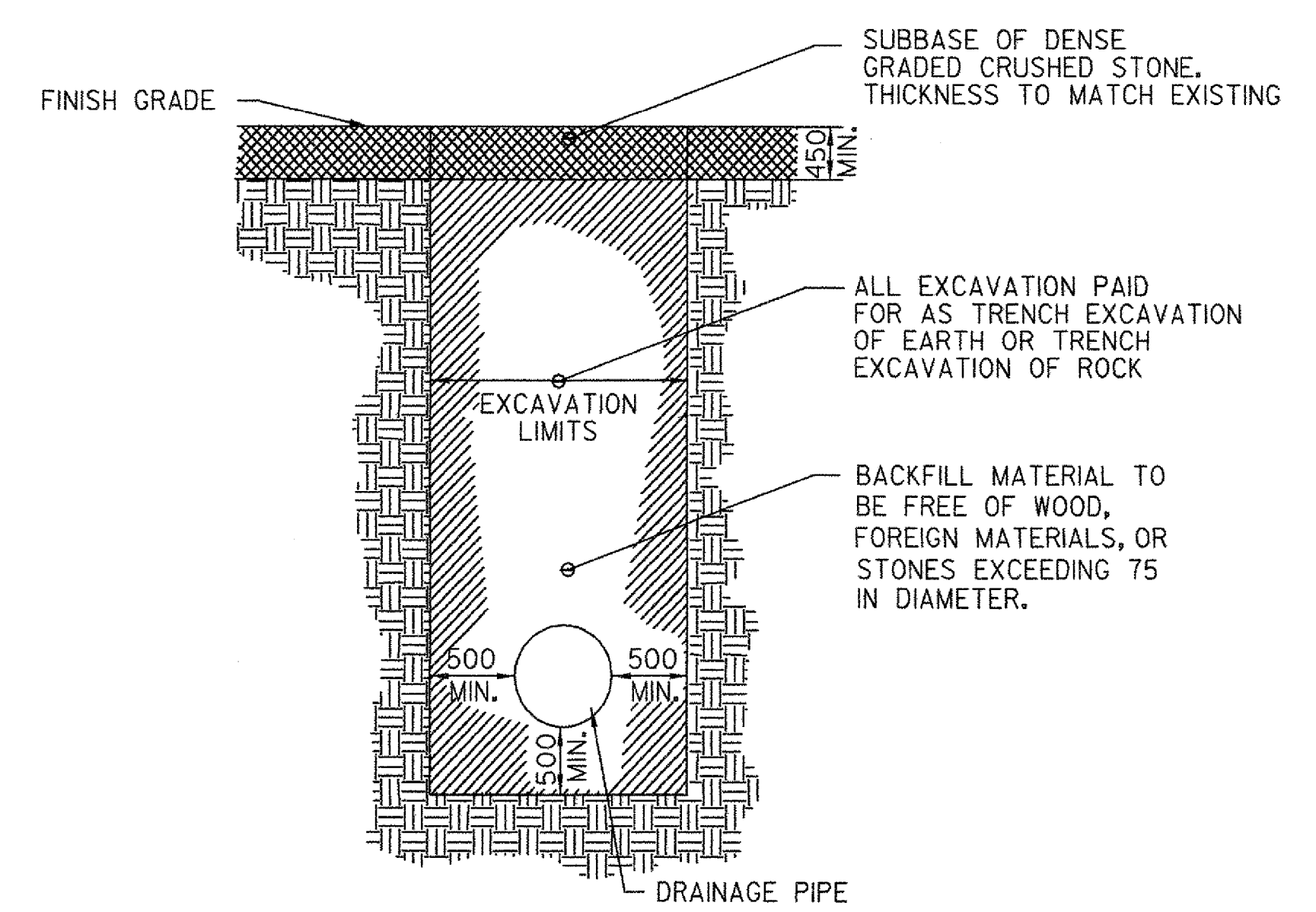
STONE DRAIN EXTENSION
NOT TO SCALE

REFER TO NB CROSS SECTIONS
NB 7+200.0 - NB 7+300.0 LT.

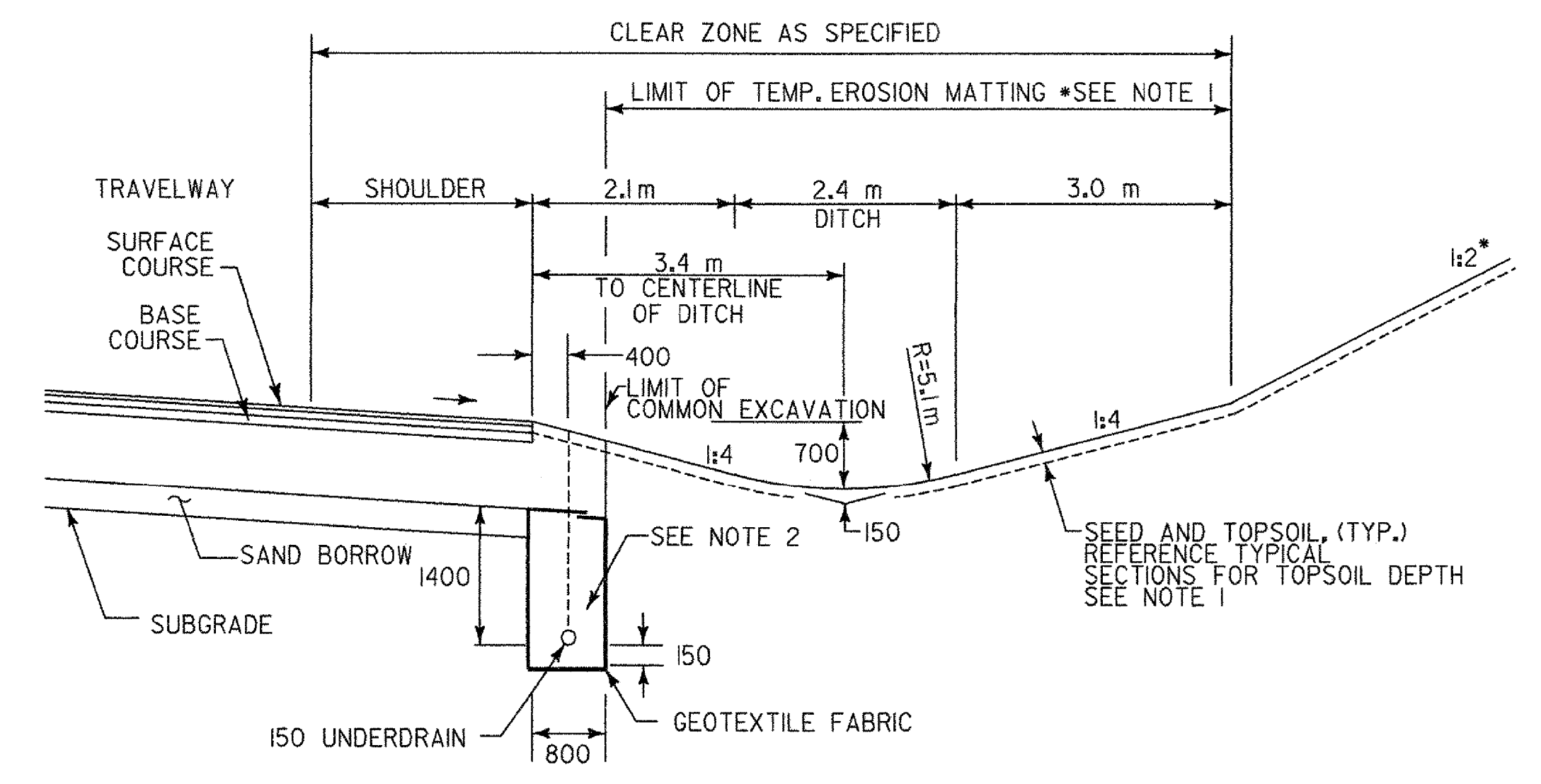


RAMP D SLOPE STABILIZATION DETAIL
NOT TO SCALE

REFER TO RAMP D CROSS SECTIONS



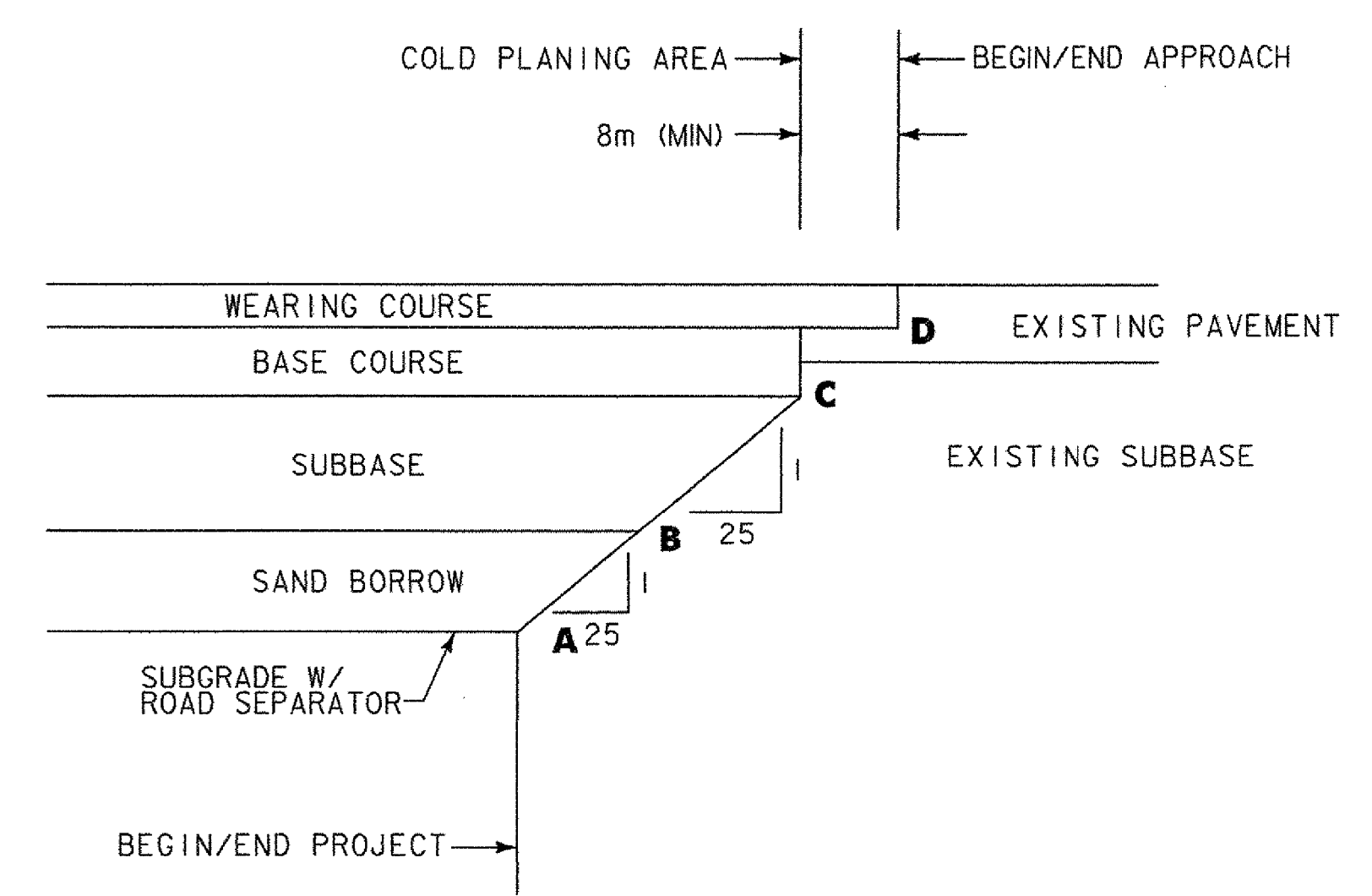
DRAINAGE PIPE TRENCH THROUGH UNPAVED DRIVES
NOT TO SCALE



TYPICAL UNDERDRAIN AND DITCH DETAIL IN UNCURBED AREAS
NOT TO SCALE

- NOTES:
1. STABILIZE SLOPES UP TO 1:3 WITH SEED AND MULCH. STEEPER SLOPES AND DITCHES TO BE STABILIZED WITH TEMPORARY EROSION MATTING.
 2. UNDERDRAIN TRENCH SHALL BE BACKFILLED WITH DRAINAGE AGGREGATE, REFER TO 2006 VAOT STANDARD SPECIFICATIONS 704J.6, FOR MORE DETAIL.

NOTE: ALL DIMENSIONS, NOTES, AND CALLOUTS ARE IN MILLIMETERS (mm) EXCEPT WHERE NOTED.



VERMONT ROUTE 9				
	A	B	C	D
WEST TERMINOUS	VT 1+260.00	VT 1+250.00	VT 1+235.00	VT 1+200.00 1+187.70
EAST TERMINOUS	VT 1+760.00 1+820.00	VT 1+770.00 1+830.00	VT 1+785.00 1+845.00	VT 1+820.00 1+890.00

ROUTE 9 PAVEMENT TRANSITION DETAIL
NOT TO SCALE

VERMONT AGENCY OF TRANSPORTATION

PROJECT NAME: BENNINGTON
PROJECT NUMBER: AC NH 019-I(51)

FILE NAME: ...plot files\zd307c\msc_0l.ptf PLOT DATE: 2/2/2009
DESIGN SUPERVISOR: GREG EDWARDS DRAWN BY: STANTEC
DESIGNED BY: MARC FOISY CHECKED BY: GARY SANTY
MISCELLANEOUS DETAILS MD-01 SHEET 8 OF 367

v:\1953\active\9830002\transpor\action\drawing\contr\act_nplot_files\zd307c\msc_0l.ptf

PGL=PROFILE GRADE LINE