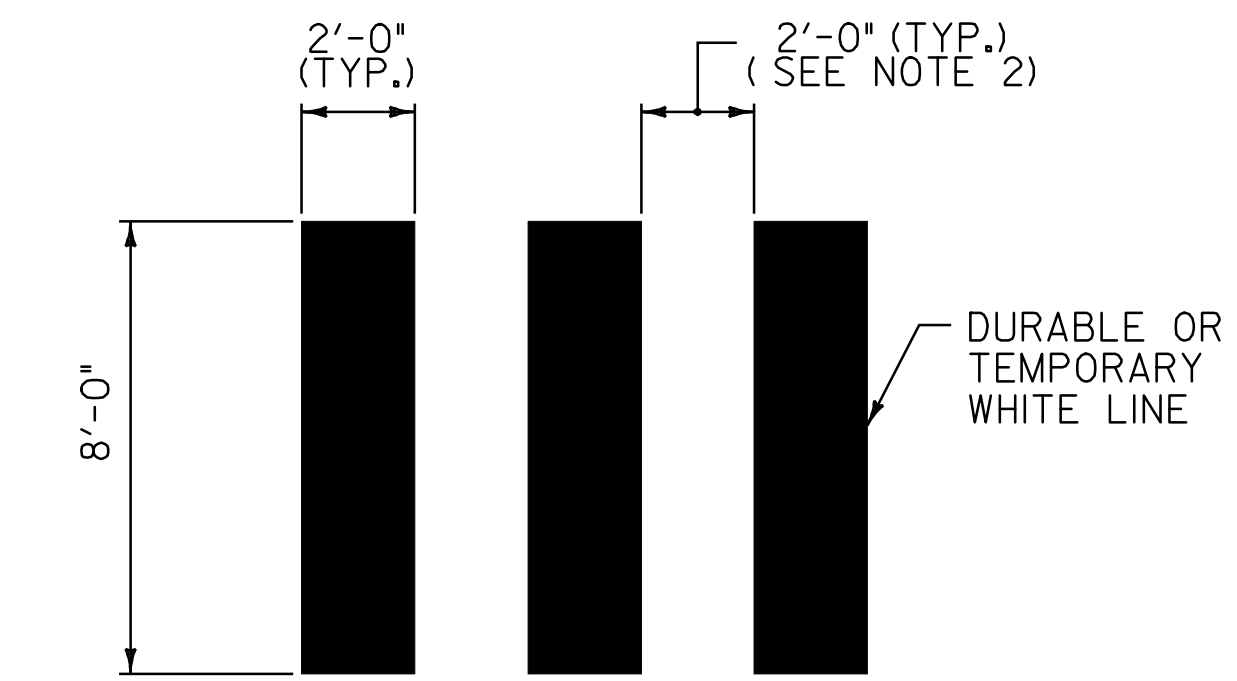


DETAIL A

NOTES

1. SEE STANDARD G-1 FOR STEEL BEAM GUARDRAIL DETAILS.
2. THIS WORK SHALL BE PAID UNDER ITEM 900.640 SPECIAL PROVISION (HD STEEL BEAM GUARDRAIL, GALVANIZED/NESTED) AT A PAY FACTOR OF 1.0.
3. THIS DETAIL TO BE USED AS INDICATED ON THE ITEM DETAIL SUMMARY SHEETS OR AS DIRECTED BY THE RESIDENT ENGINEER.



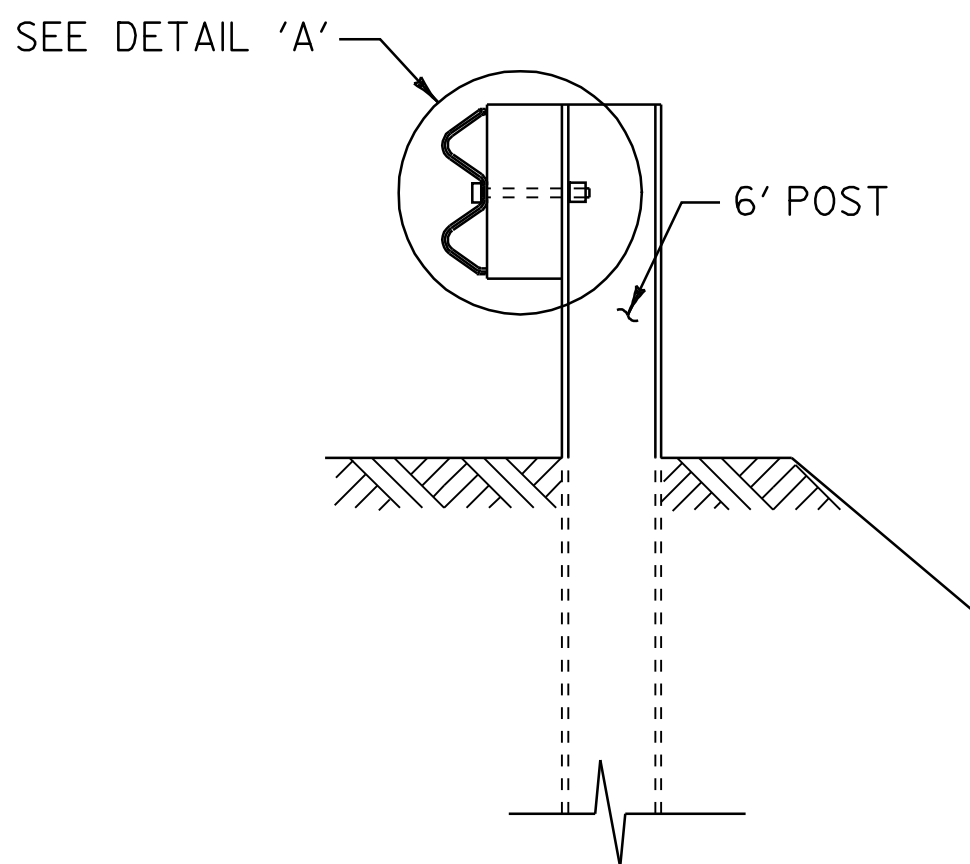
DETAIL OF CROSSWALK MARKINGS

U.S. ROUTE 4 BRIDGEWATER:
STA. 385+40.0 LT/RT

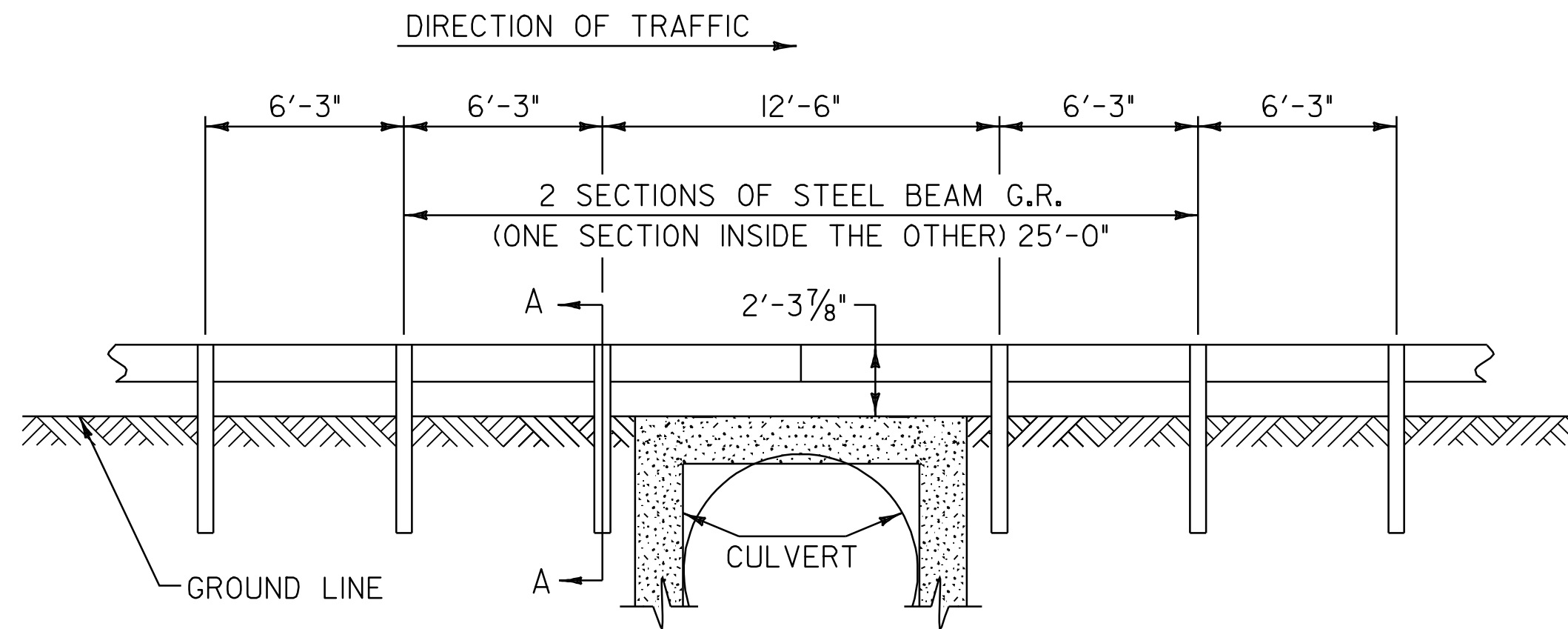
U.S. ROUTE 4 WOODSTOCK:
STA. 247+82.0 LT/RT

NOTES:

1. THE PER FOOT COST OF INSTALLED CROSSWALK, SHALL BE PAID AS ITEM 646.501 DURABLE CROSSWALK MARKING, TYPE I TAPE AND 646.702 TEMPORARY CROSSWALK MARKING, PAINT
2. ADJUST SPACING (12" - 24") TO AVOID WHEEL PATHS.

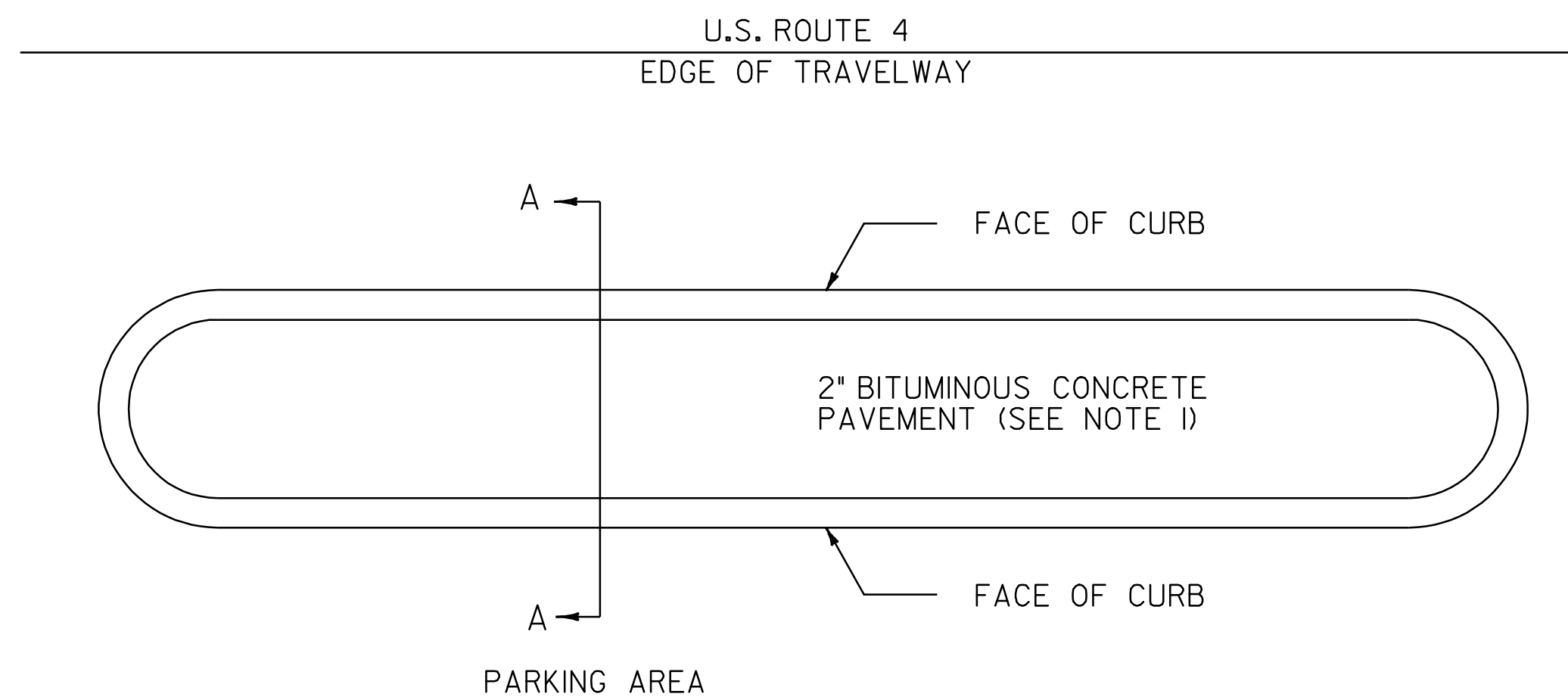


SECTION A-A

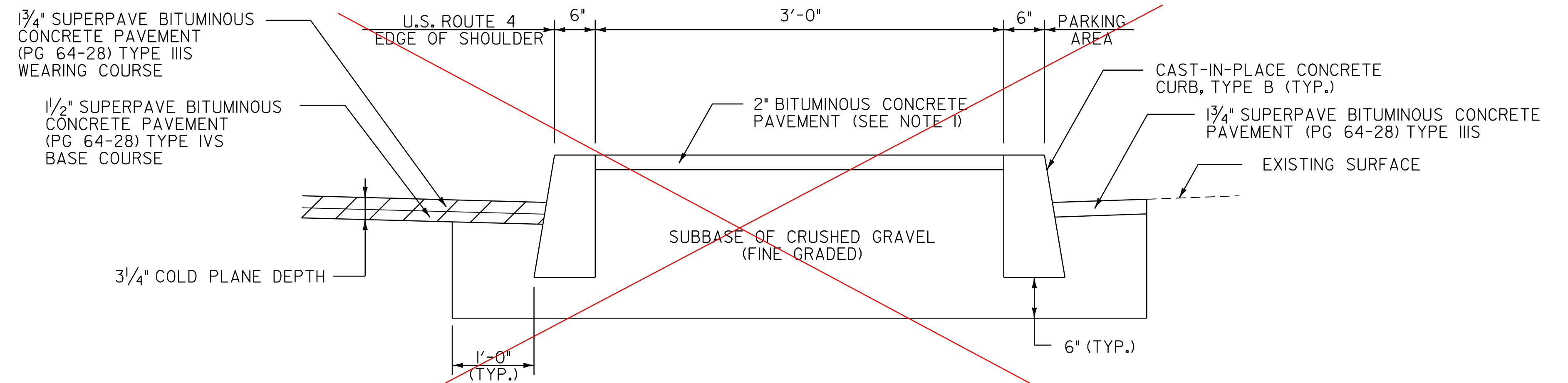


STEEL BEAM GUARDRAIL AT SMALL CULVERTS DETAIL

BR 45A
U.S. ROUTE 4 BRIDGEWATER 338+28.76 RT



PLAN



SECTION A-A

BITUMINOUS CONCRETE TRAFFIC ISLAND DETAIL

U.S. ROUTE 4 WOODSTOCK:
STA. 262+93.0 - STA. 264+94.0 RT
STA. 265+51.0 - STA. 266+79.0 RT

NOTE:

1. THE CONTRACTOR SHALL CONSTRUCT THE BITUMINOUS CONCRETE TRAFFIC ISLAND BY PLACING ONE 2" LIFT OF TYPE III S SUPERPAVE BITUMINOUS CONCRETE PAVEMENT. PAYMENT SHALL BE MADE UNDER ITEM 616.47 BITUMINOUS CONCRETE GUTTERS AND TRAFFIC ISLANDS.

NOT TO SCALE

MISCELLANEOUS DETAILS SHEET

PROJECT NAME: BRIDGEWATER - WOODSTOCK
PROJECT NUMBER: NH_2611(1)S

FILE NAME: p06b160.dgn -- PLOT DATE: 28-MAY-2010
PROJECT LEADER: D.E.G. DRAWN BY: C.A.K.
DESIGNED BY: D.W.E. CHECKED BY: D.E.G.
IPARM FILE: p06b160md.i SHEET 79 OF 80