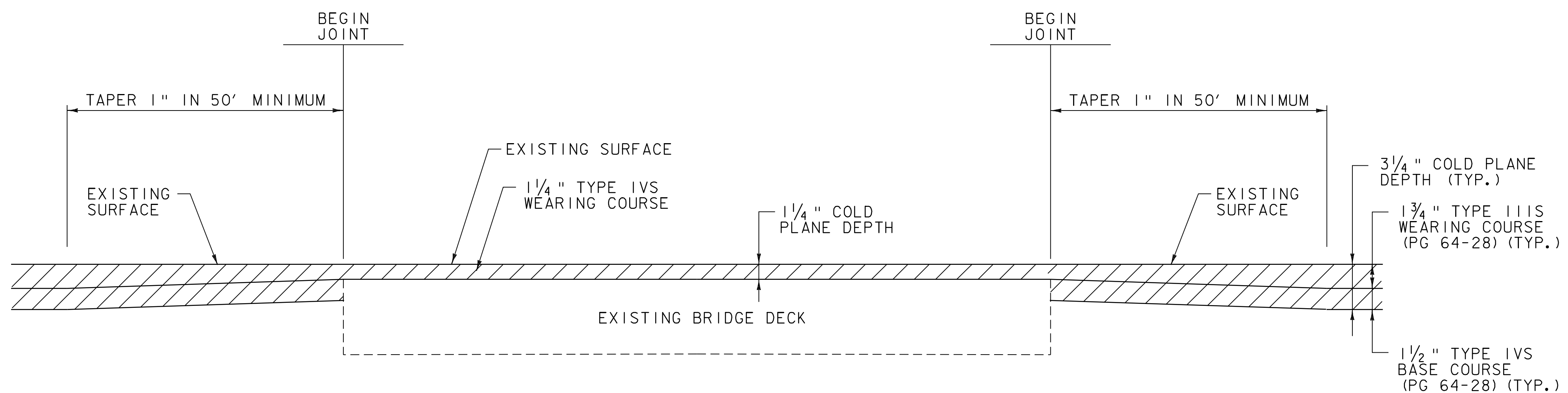


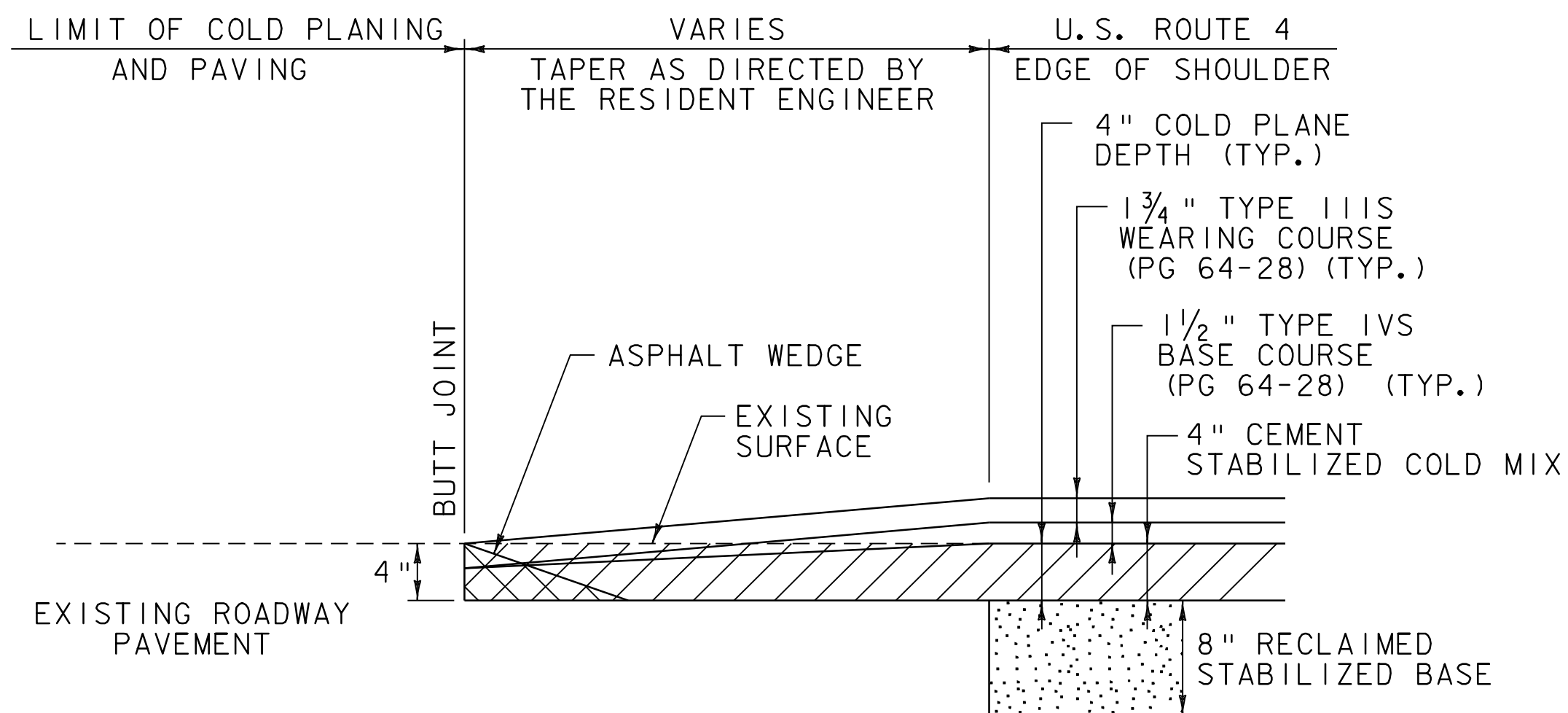
BRIDGE TRANSITION AREA DETAIL

BR 47 U.S. ROUTE 4 WOODSTOCK STA. 62+80.00 TO STA. 63+00.00
 BR 48 U.S. ROUTE 4 WOODSTOCK STA. 176+39.00 TO STA. 176+61.00



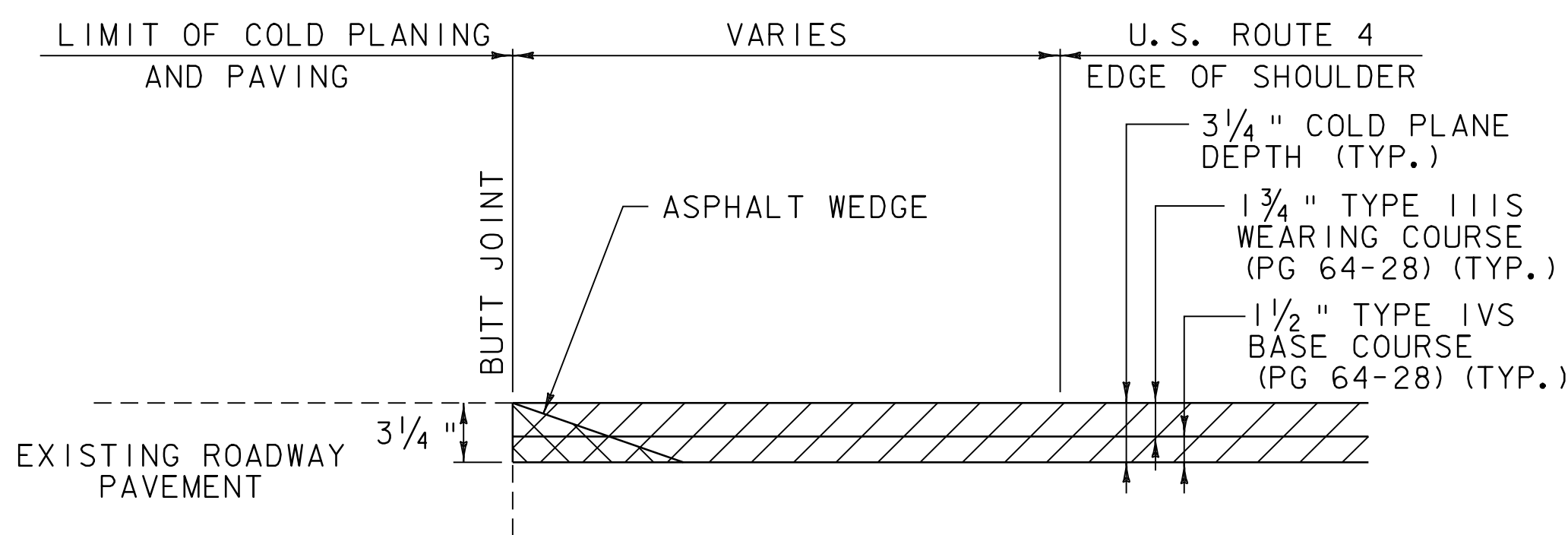
BRIDGE TRANSITION AREA DETAIL

BR 46 U.S. ROUTE 4 BRIDGEWATER STA. 362+02.00 TO STA. 362+24.00



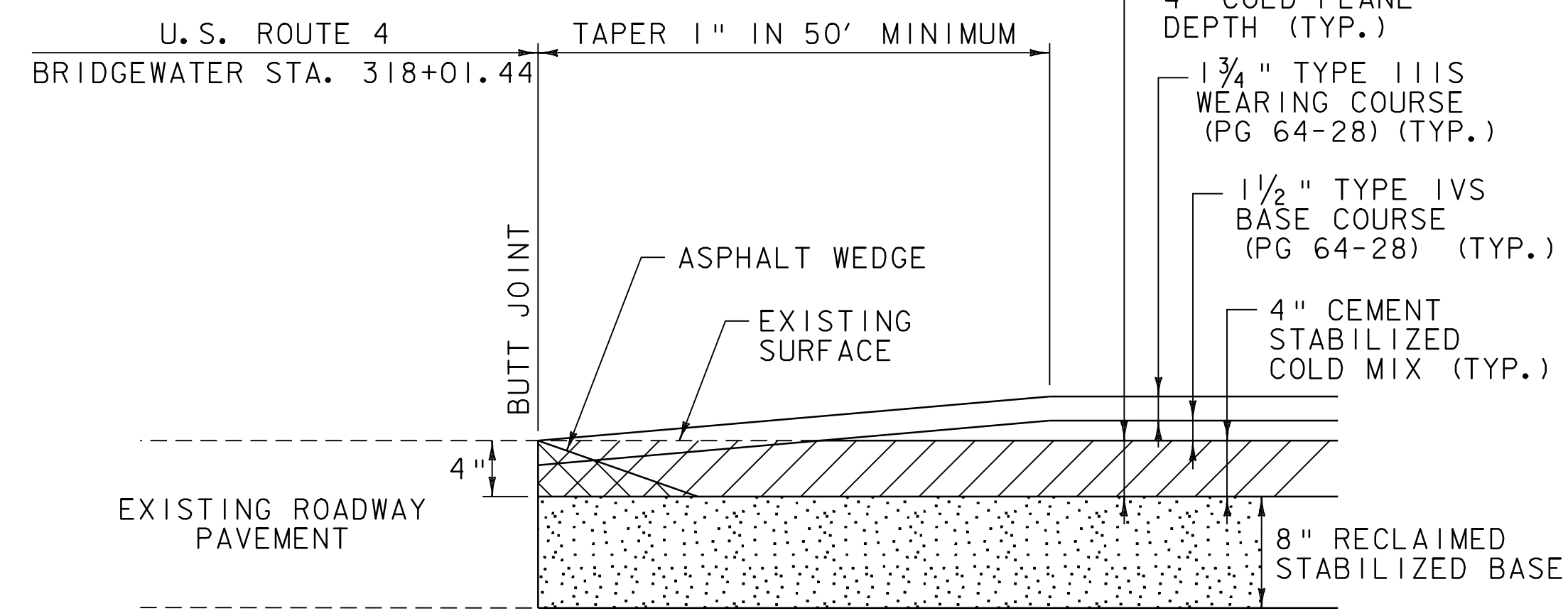
RECLAIM APPROACH AREA DETAIL

WOODSTOCK: TH-97
 TH-27
 TH-35
 TH-28



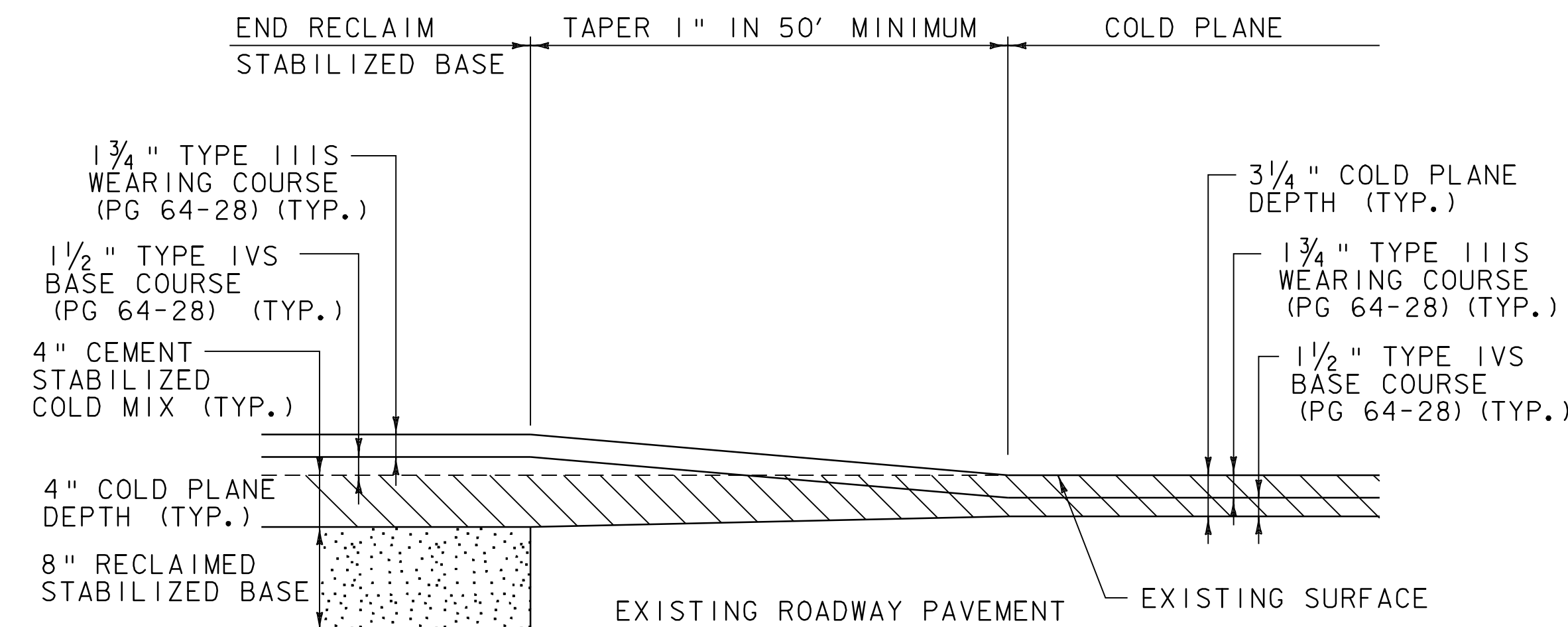
COLD PLANE APPROACH AREA DETAIL

WOODSTOCK: TH-23
 TH-30
 SCHOOL DRIVE
 TH-50
 TH-3



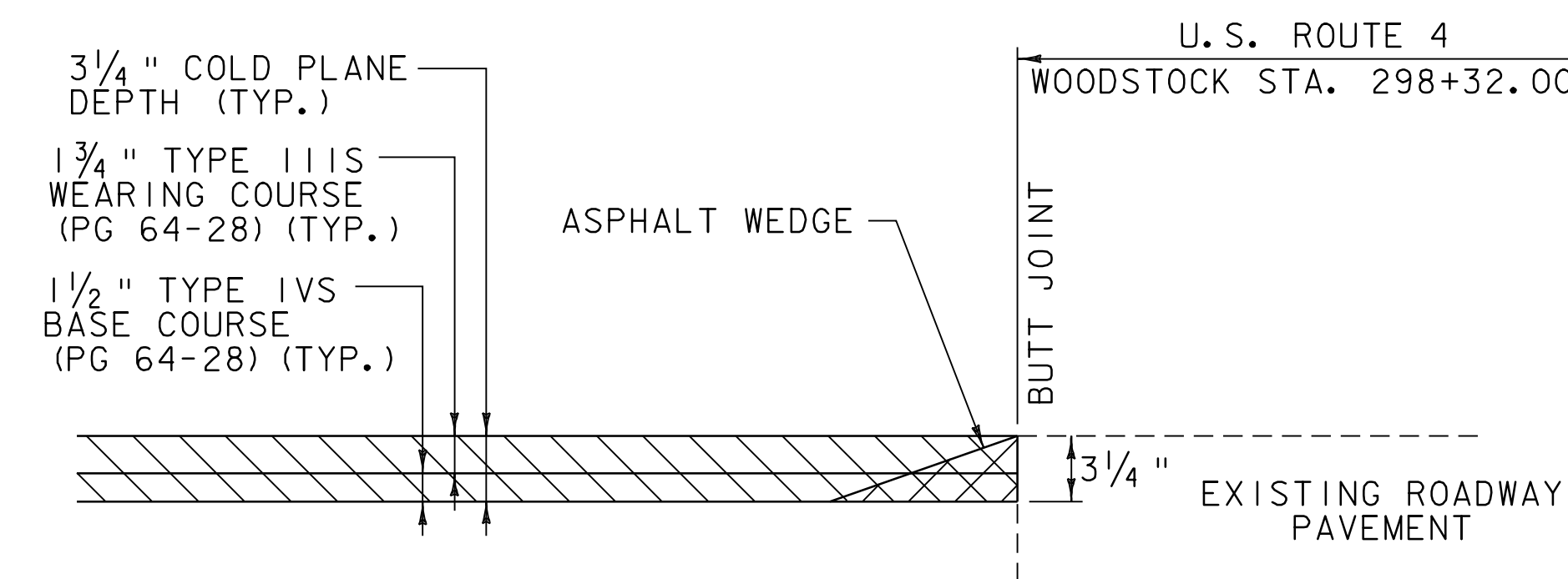
RECLAIM APPROACH AREA DETAIL

U.S. ROUTE 4 BRIDGEWATER STA 318+01.44 - BEGIN PROJECT



RECLAIM / COLD PLANE TRANSITION AREA DETAIL

U.S. ROUTE 4 BRIDGEWATER STA 350+59.20
 U.S. ROUTE 4 WOODSTOCK STA 0+00.00
 U.S. ROUTE 4 WOODSTOCK STA 211+20.00



COLD PLANE APPROACH AREA DETAIL

U.S. ROUTE 4 WOODSTOCK STA. 298+32.00 - END PROJECT

NOT TO SCALE

**PAVING
 DETAILS
 SHEET #2**

PROJECT NAME: BRIDGEWATER - WOODSTOCK
 PROJECT NUMBER: NH_2611(S)

FILE NAME: p06b160.dgn -- PLOT DATE: 28-MAY-2010
 PROJECT LEADER: D.E.G. DRAWN BY: C.A.K.
 DESIGNED BY: D.W.E. CHECKED BY: D.E.G.
 IPARM FILE: p06b160pd02.i SHEET 5 OF 80