

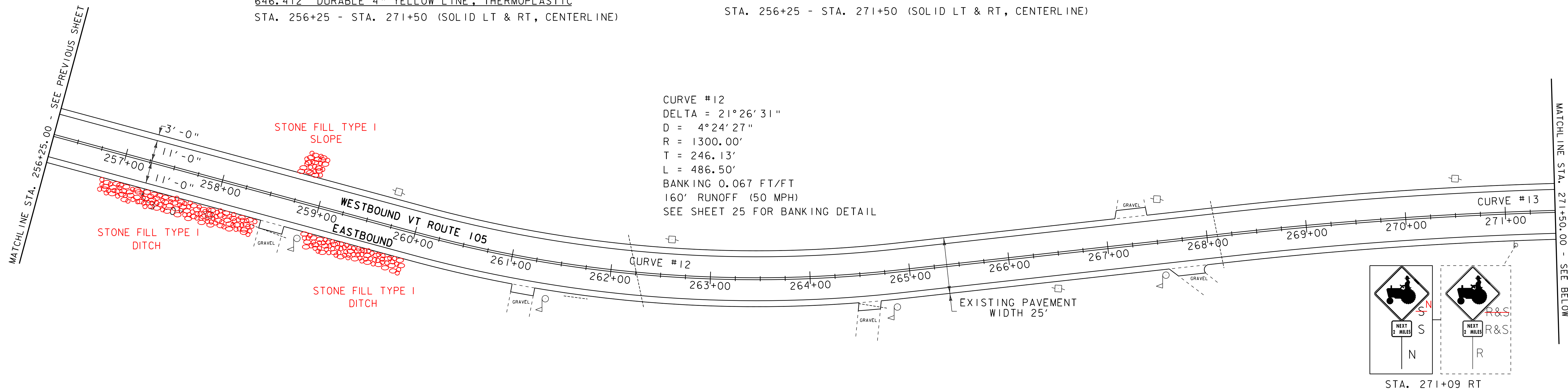
646.20 4 INCH WHITE LINE
~~646.402 DURABLE 4" WHITE LINE, THERMOPLASTIC~~
 STA. 256+25 - STA. 271+50 (SOLID LT & RT)

646.602 TEMPORARY 4" WHITE LINE, PAINT
 STA. 256+25 - STA. 271+50 (SOLID LT & RT)

675.50 REMOVING SIGNS
 AS SHOWN - 2
 675.60 ERECTING SALVAGED SIGNS
 AS SHOWN - 2-1

646.412 DURABLE 4" YELLOW LINE, THERMOPLASTIC
 STA. 256+25 - STA. 271+50 (SOLID LT & RT, CENTERLINE)

646.612 TEMPORARY 4" YELLOW LINE, PAINT
 STA. 256+25 - STA. 271+50 (SOLID LT & RT, CENTERLINE)



646.20 4 INCH WHITE LINE
~~646.402 DURABLE 4" WHITE LINE, THERMOPLASTIC~~
 STA. 271+50 - STA. 286+50 (SOLID LT & RT)

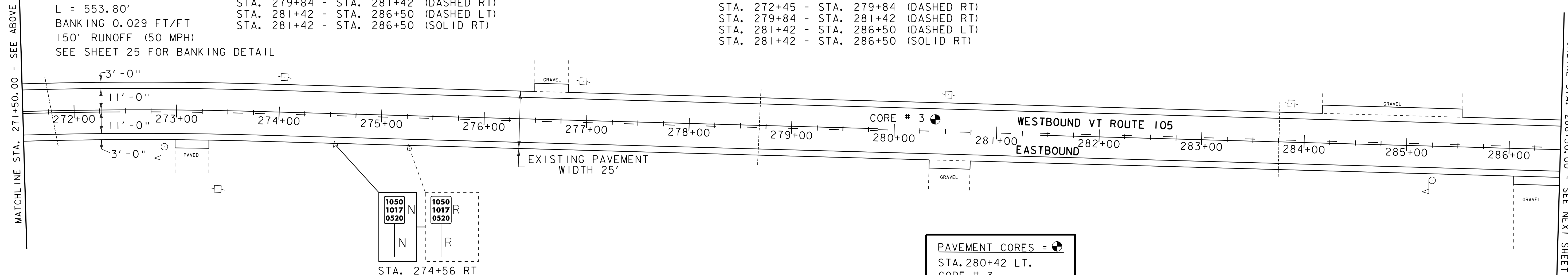
646.602 TEMPORARY 4" WHITE LINE, PAINT
 STA. 271+50 - STA. 286+50 (SOLID LT & RT)

675.50 REMOVING SIGNS
 AS SHOWN - 1

CURVE #13
 DELTA = 7°55'57"
 D = 1°25'57"
 R = 4000.00'
 T = 277.34'
 L = 553.80'
 BANKING 0.029 FT/FT
 150' RUNOFF (50 MPH)
 SEE SHEET 25 FOR BANKING DETAIL

646.412 DURABLE 4" YELLOW LINE, THERMOPLASTIC
 STA. 271+50 - STA. 272+45 (SOLID RT)
 STA. 271+50 - STA. 279+84 (SOLID LT)
 STA. 272+45 - STA. 279+84 (DASHED RT)
 STA. 279+84 - STA. 281+42 (DASHED RT)
 STA. 281+42 - STA. 286+50 (DASHED LT)
 STA. 281+42 - STA. 286+50 (SOLID RT)

646.612 TEMPORARY 4" YELLOW LINE, PAINT
 STA. 271+50 - STA. 272+45 (SOLID RT)
 STA. 271+50 - STA. 279+84 (SOLID LT)
 STA. 272+45 - STA. 279+84 (DASHED RT)
 STA. 279+84 - STA. 281+42 (DASHED RT)
 STA. 281+42 - STA. 286+50 (DASHED LT)
 STA. 281+42 - STA. 286+50 (SOLID RT)



- LEGEND**
- MAILBOX
 - UTILITY POLE
 - HYDRANT
 - MANHOLE
 - WATER VALVE
 - CATCH BASIN / DROP INLET
 - ⊕ RAILROAD CROSSING SIGNAL

- SIGN LEGEND**
- R = REMOVE
 - R&S = REMOVE AND SALVAGE
 - RET = RETAIN
 - S = SALVAGE
 - N = NEW
 - B-B = BACK TO BACK

PAVEMENT CORES = ●
 STA. 280+42 LT.
 CORE # 3
 TOTAL DEPTH PCC
 9' NO

NOT TO SCALE

PROJECT LAYOUT SHEET 4

PROJECT NAME: TROY-NEWPORT
 PROJECT NUMBER: STP 2613(I)

FILE NAME: 06B056.dgn
 PROJECT LEADER: CDL
 DESIGNED BY: SJL
 PLOT FILE: 06b056#17.1

PLOT DATE: 25-OCT-2011 12:17
 DRAWN BY: SJL
 CHECKED BY: EPD
 SHEET 17 OF 31