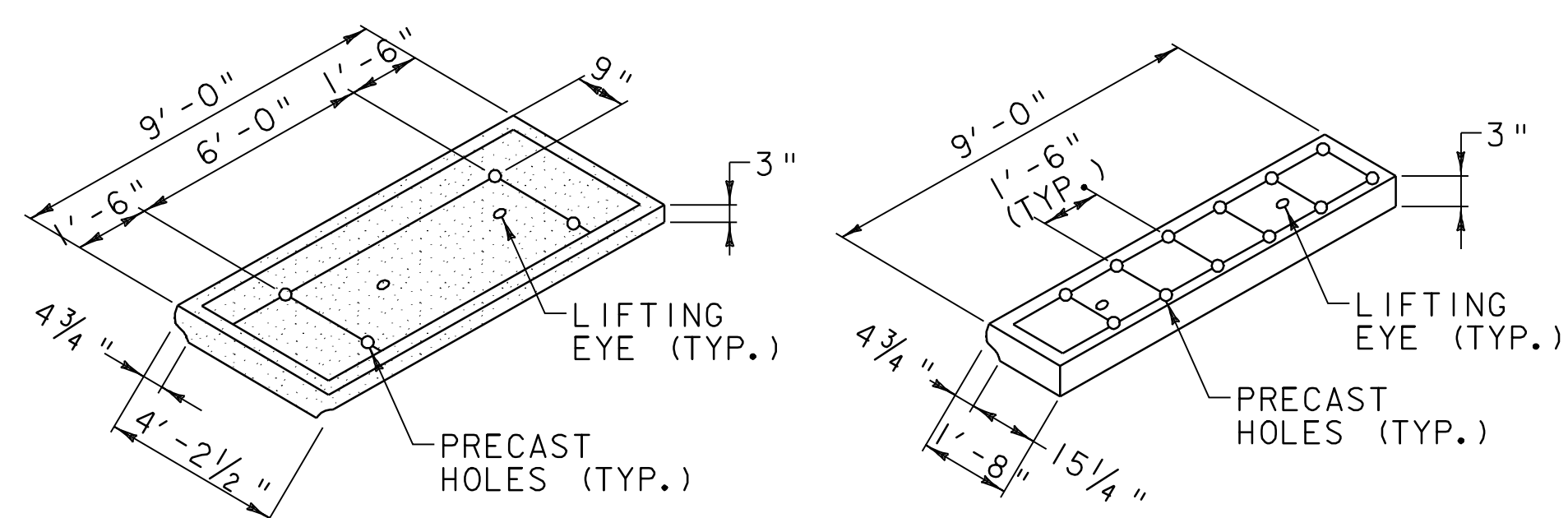


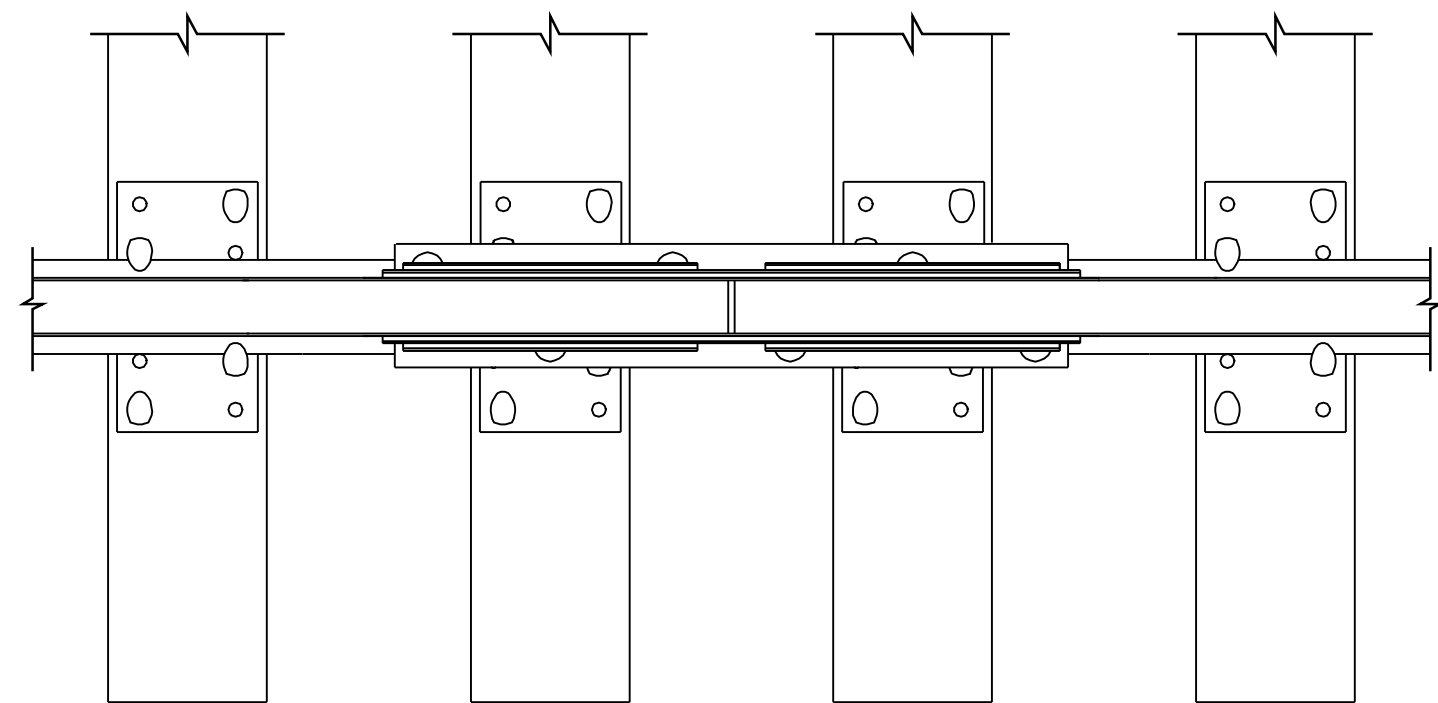
NOTE:  
STANDARD TIE SPACING IN TANGENT TRACK  
18" CENTER TO CENTER.

SECTION VIEW



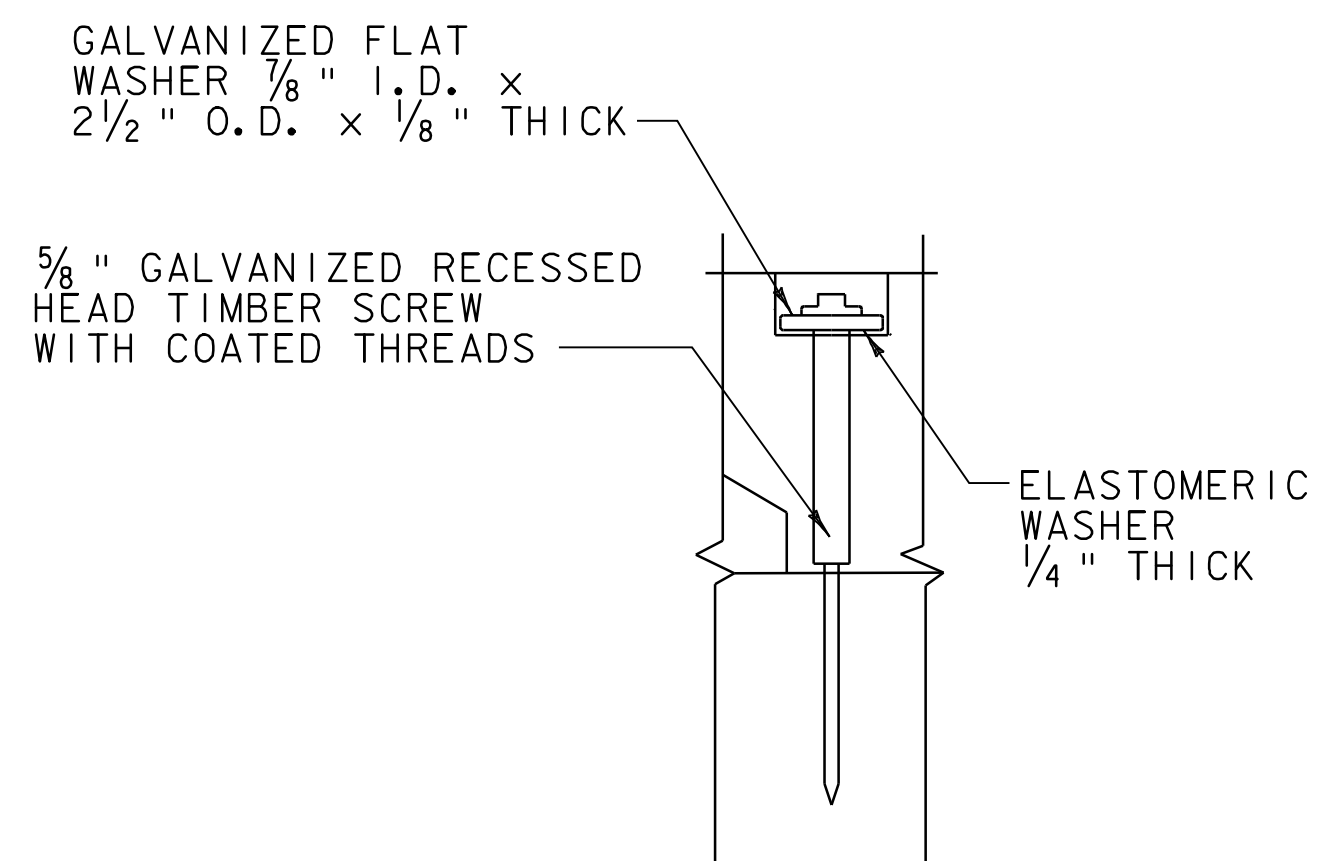
ISOMETRIC VIEWS

**GAUGE AND FIELD PANEL DETAILS**

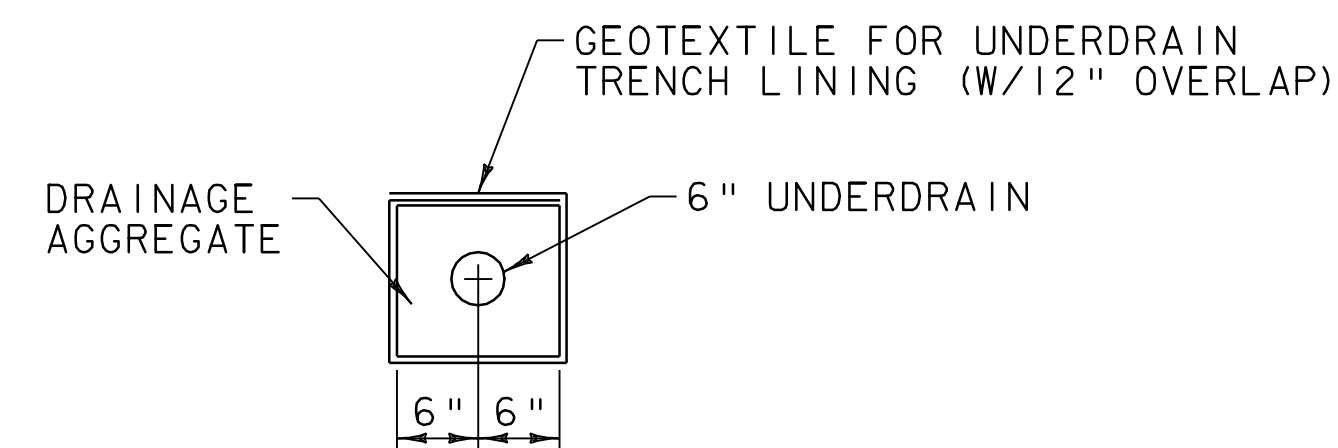


**INSULATED JOINT DETAIL (SUSPENDED JOINT)**

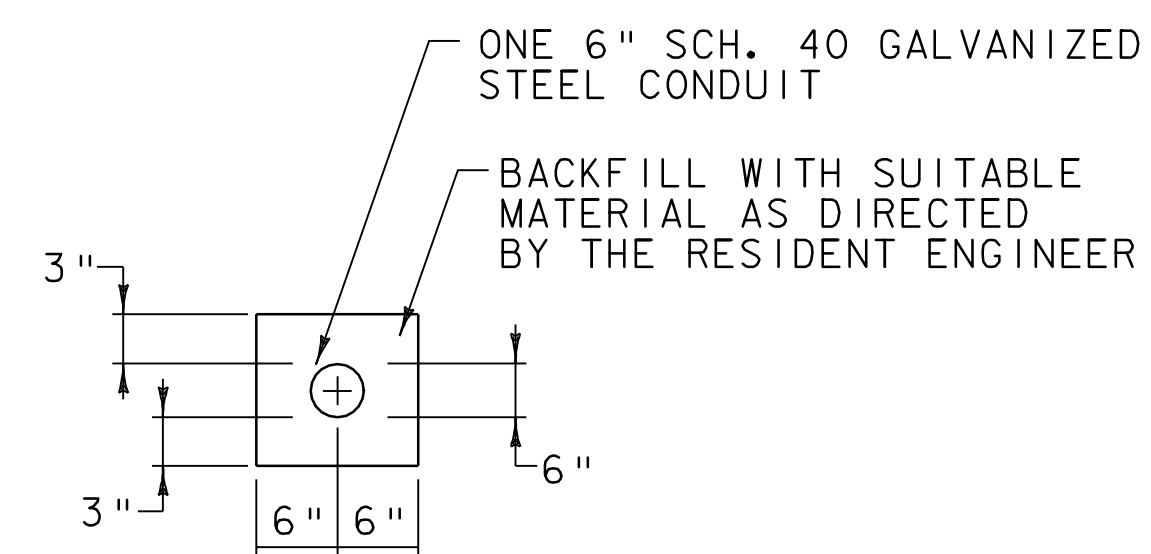
NOTE:  
1. FURNISH AND INSTALL BONDED INSULATED  
JOINT ASSEMBLY ITEM 900.645.



**SCREW DETAIL**



**UNDERDRAIN WITH GEOTEXTILE**  
(SEE NOTE 4 ON SHEET 75)



**SIGNAL CONDUIT**

NOT TO SCALE

**CONCRETE  
GRADE  
CROSSING  
DETAILS #2**

PROJECT NAME: MANCHESTER - DORSET  
PROJECT NUMBER: NH 2608(I)S

FILE NAME: p06b040.dgn  
PROJECT LEADER: D.E.G.  
DESIGNED BY: M.J.M.  
IPARM FILE: p06b040rr3.i

PLOT DATE: 07-JUN-2010 11:00  
DRAWN BY: C.A.K.  
CHECKED BY: D.W.E.  
SHEET 76 OF 78