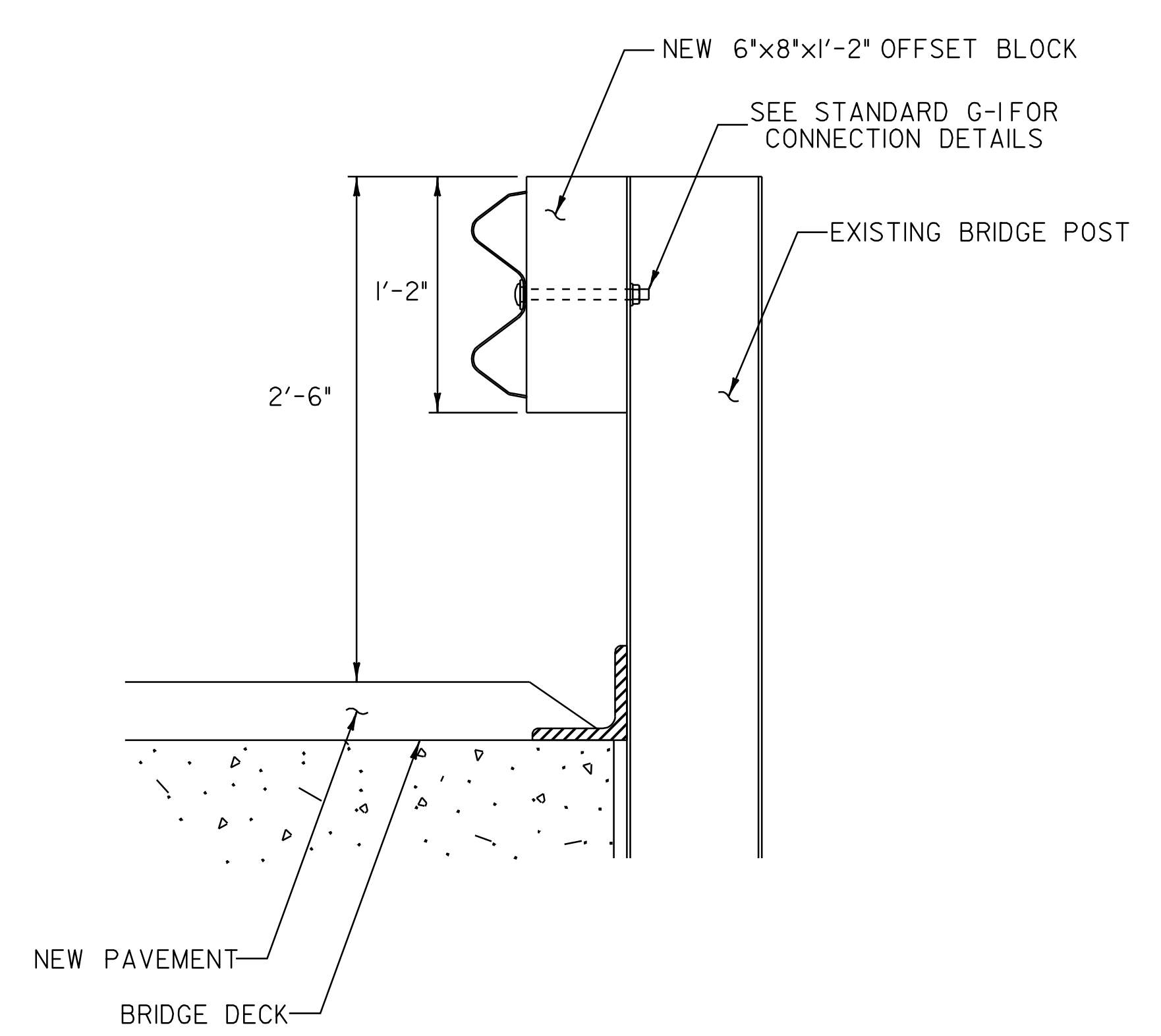


BR 46 DORSET MM 1.707 = STA.90+12.96



BR 46 BRIDGE POST DETAIL

BRIDGE DETAIL SHEET #5	NOT TO SCALE	
	PROJECT NAME: MANCHESTER - DORSET	
	PROJECT NUMBER: NH 2608(1)S	
FILE NAME: p06b040.dgn	DESIGNED BY: M.J.M.	PLOT DATE: 07-JUN-2010 11:00
PROJECT LEADER: D.E.G.	IPARM FILE: p06b040bd5.i	DRAWN BY: C.A.K.
CHECKED BY: D.W.E.		SHEET 72 OF 78