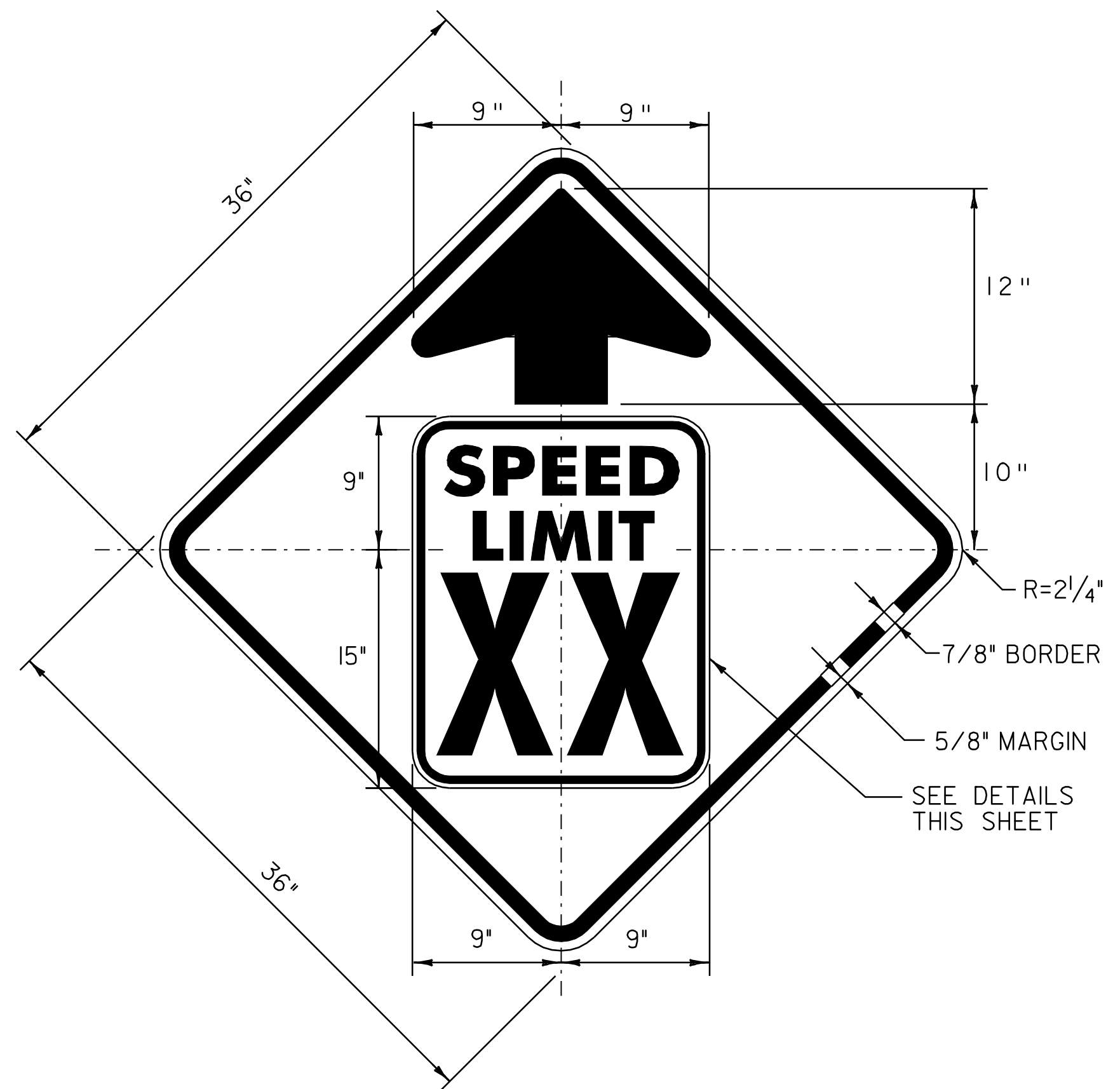


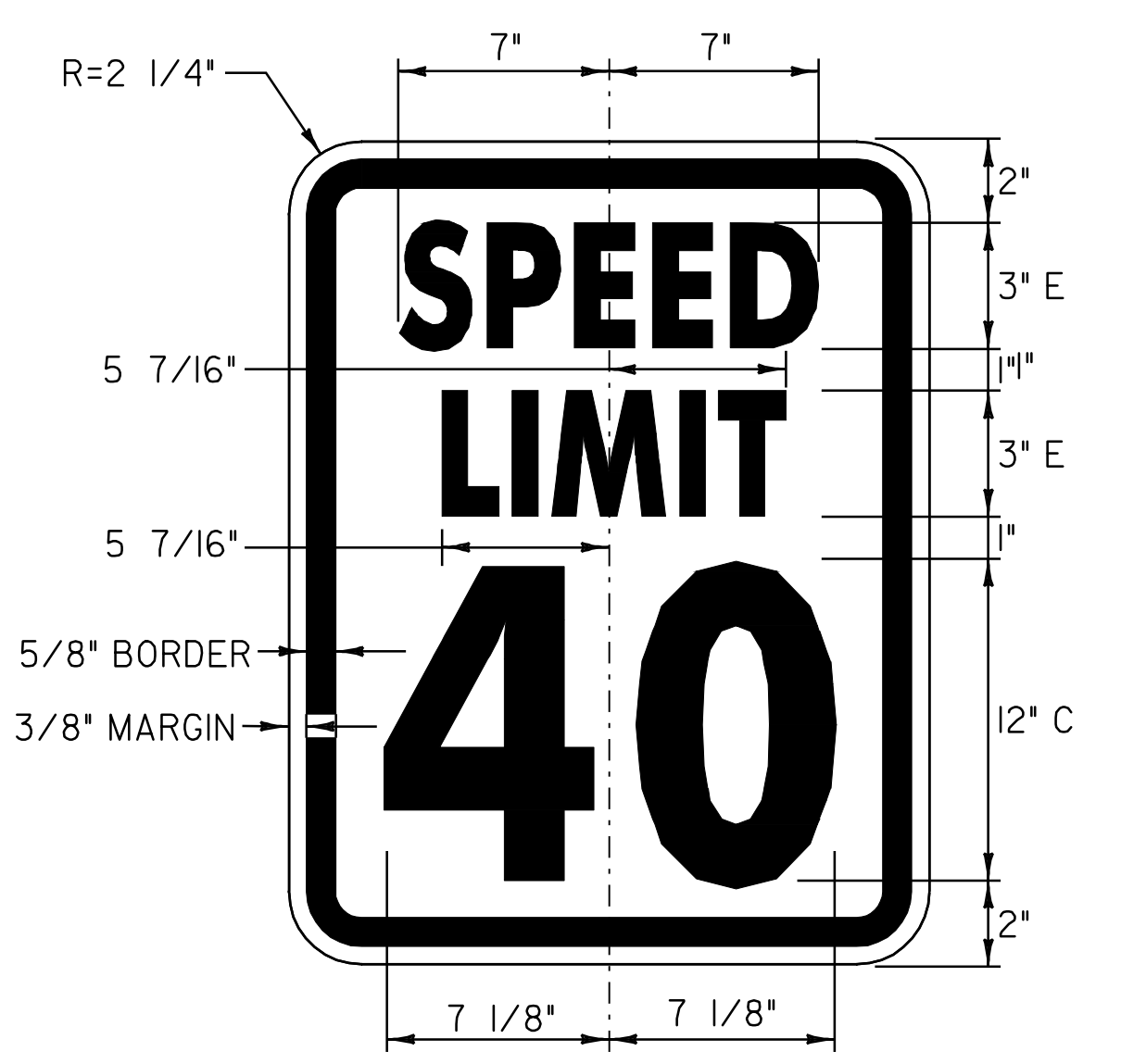
COLOR: BLACK BORDER & TEXT (REFLECTORIZED)  
YELLOW BACKGROUND (REFLECTORIZED)

MATERIAL: PER VAOT STANDARD E-153B  
LOCATIONS - U.S. ROUTE 7  
MANCHESTER:  
STA. 279+28.0 RT  
STA. 393+50.0 LT

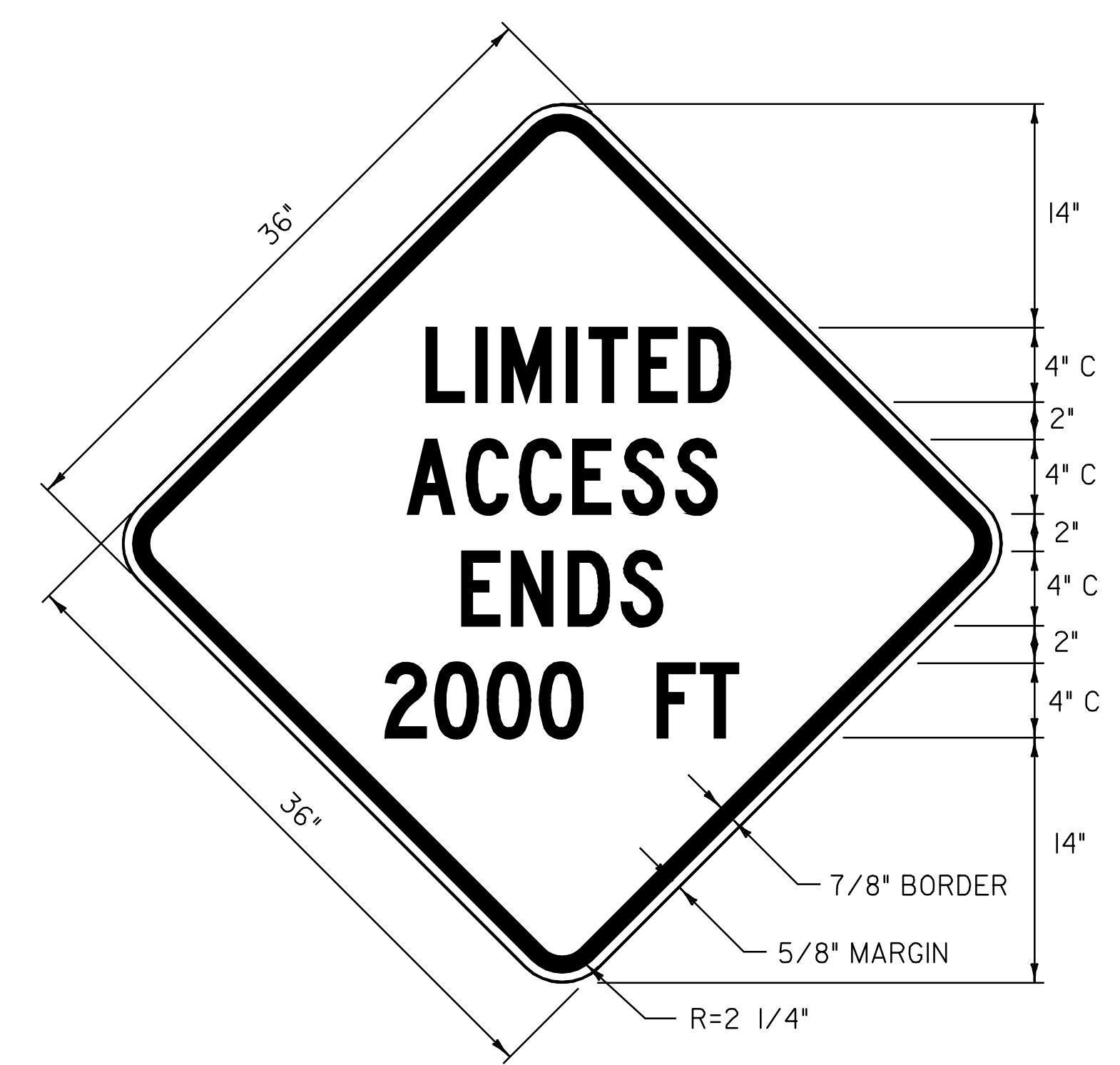


COLOR: BLACK BORDER & TEXT (REFLECTORIZED)  
YELLOW BACKGROUND (REFLECTORIZED)

MATERIAL: PER VAOT STANDARD E-151  
LOCATION - U.S. ROUTE 7  
DORSET:  
STA. 71+01.0, RT

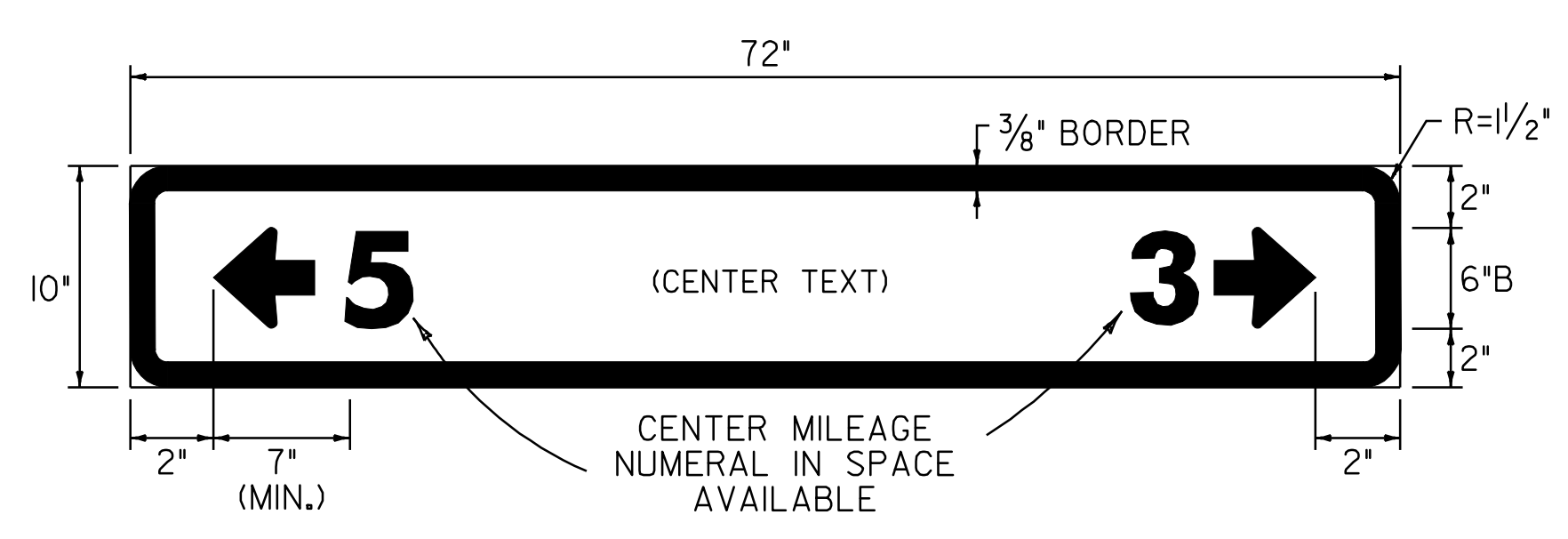


COLOR: BLACK BORDER & TEXT (REFLECTORIZED)  
WHITE BACKGROUND (REFLECTORIZED)



COLOR: BLACK BORDER & TEXT (REFLECTORIZED)  
YELLOW BACKGROUND (REFLECTORIZED)

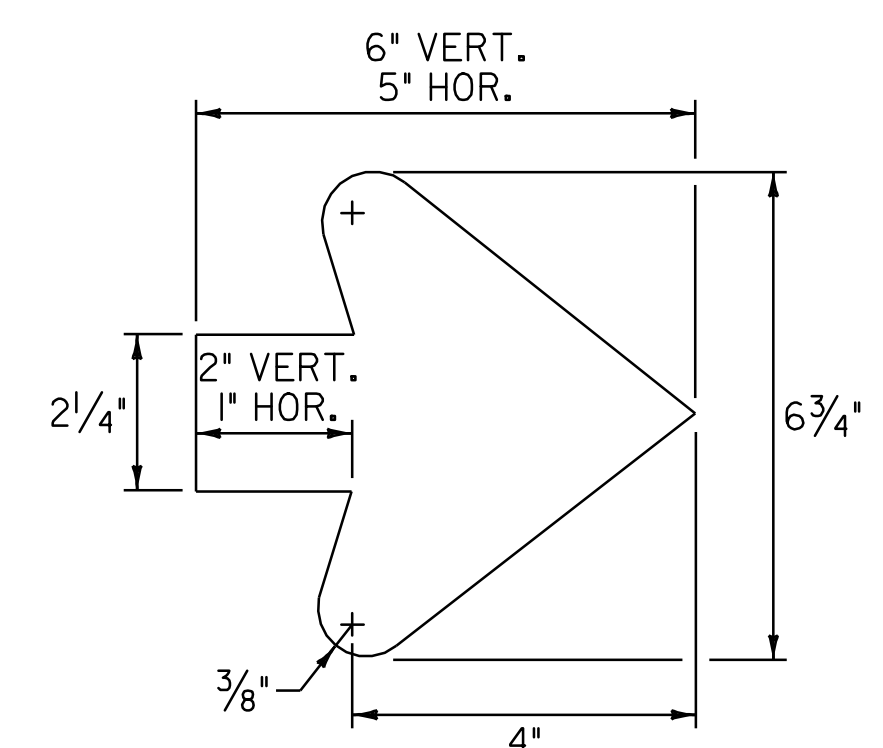
MATERIAL: PER VAOT STANDARD E-153B  
LOCATION - U.S. ROUTE 7  
DORSET:  
STA. 60+40.0, RT



NOTES:

1. TEXT LAYOUT DIMENSIONS ARE BASED ON THE STANDARD ALPHABETS SPACING CHARTS FOUND IN THE "STANDARD HIGHWAY SIGNS" BOOK PUBLISHED BY FHWA. MINOR VARIATIONS IN TEXT DIMENSIONS ARE ACCEPTABLE BASED ON INDIVIDUAL MANUFACTURER'S LETTER FABRICATION. SIGNIFICANT CHANGES THAT AFFECT SIGN APPEARANCE SHALL BE BROUGHT TO THE ATTENTION OF THE VAOT'S TRAFFIC OPERATIONS SECTION BEFORE FABRICATION.

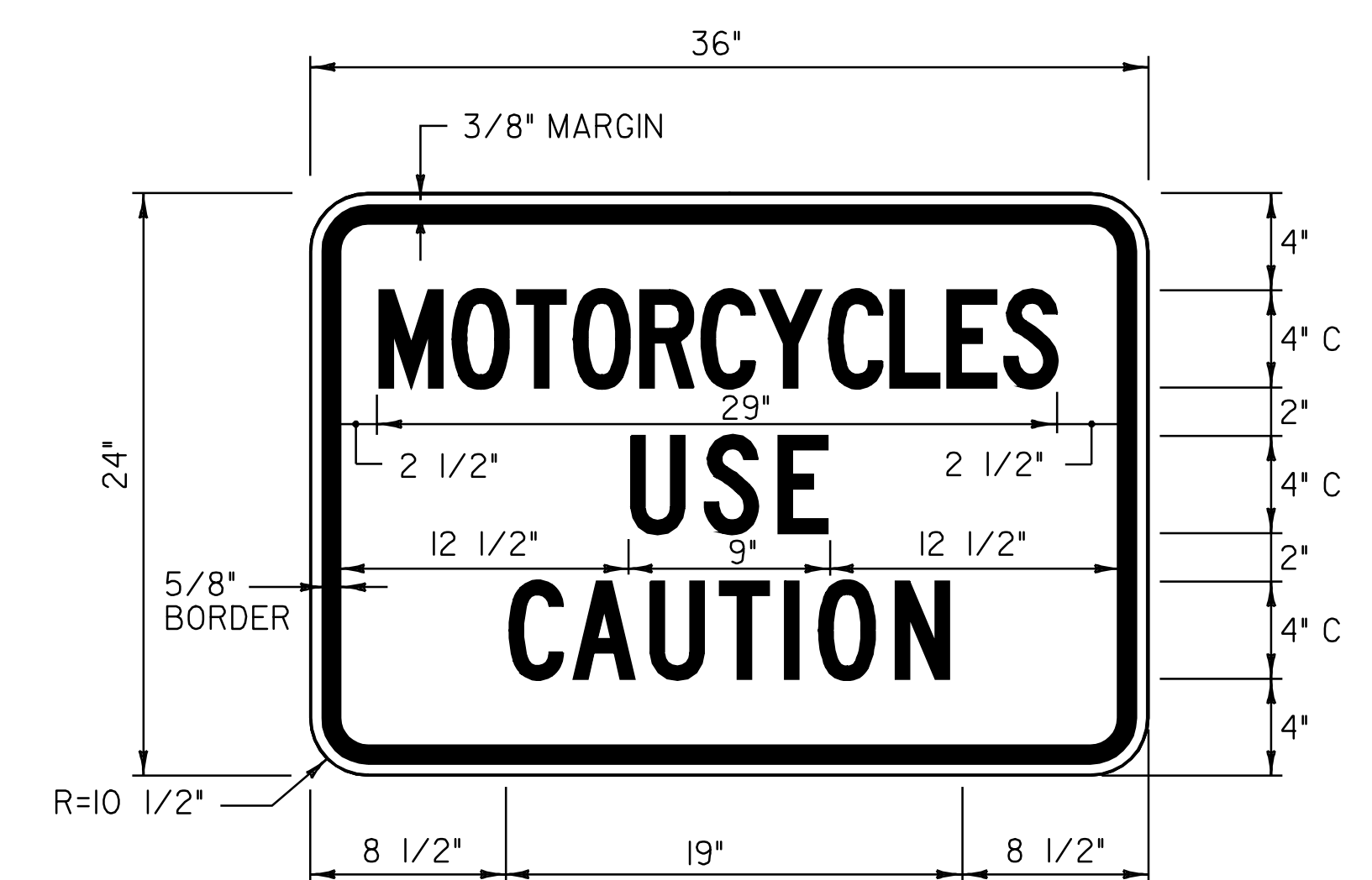
2. ALL DIMENSIONS ARE IN INCHES UNLESS OTHERWISE SPECIFIED.



ARROW DIMENSIONS

COLOR: WHITE BORDER, TEXT & SYMBOL (REFLECTORIZED)  
BLUE BACKGROUND (REFLECTORIZED)

MATERIAL: PER VAOT E-133  
LOCATIONS - U.S. ROUTE 7  
MANCHESTER:  
RAMP D: D12+17.0, RT  
DORSET:  
STA. 73+01.0, RT



COLOR: BLACK BORDER & TEXT (REFLECTORIZED)  
YELLOW BACKGROUND (REFLECTORIZED)

MATERIAL: PER VAOT STANDARD E-153B  
LOCATIONS - U.S. ROUTE 7  
DORSET:  
STA. 75+01.0, RT  
STA. 78+50.0, LT

TRAFFIC SIGN  
DETAIL  
SHEET #3

NOT TO SCALE

PROJECT NAME: MANCHESTER - DORSET  
PROJECT NUMBER: NH 2608(1)S

FILE NAME: p06b040.dgn  
PROJECT LEADER: D.E.G.  
DESIGNED BY: M.J.M.  
IPARM FILE: p06b040+sd3.dgn  
PLOT DATE: 07-JUN-2010 11:00  
DRAWN BY: C.A.K.  
CHECKED BY: D.W.E.  
SHEET 63 OF 78