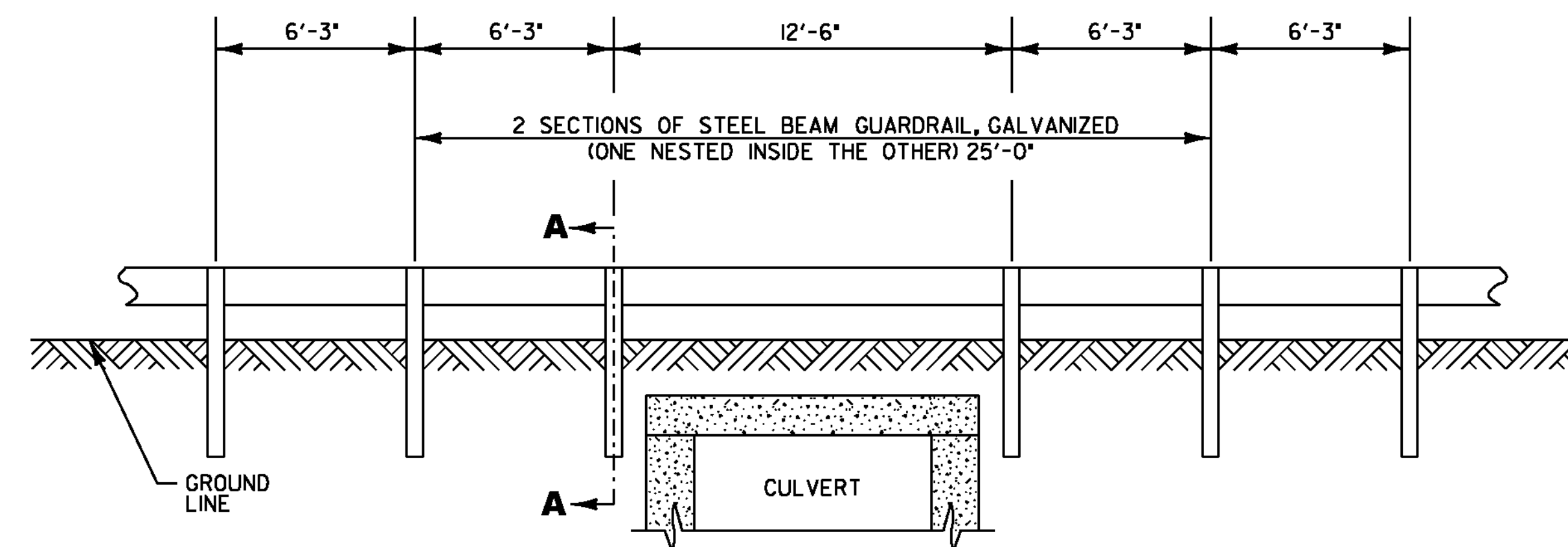


NOTES:

1. SEE VTrans STANDARDS G-1 & G-1d FOR STEEL BEAM GUARDRAIL DETAILS
2. THIS WORK SHALL BE PAID UNDER ITEM 621.206, STEEL BEAM GUARDRAIL, GALVANIZED
3. THIS DETAIL TO BE USED AS INDICATED ON THE ITEM DETAIL SUMMARY SHEET OR AS DIRECTED BY THE RESIDENT ENGINEER.



DETAIL OF STEEL BEAM GUARD RAIL AT LARGE CULVERTS

VT ROUTE 100 STA. 73+69, LT & RT. (BRIDGE #199)

NOT TO SCALE



**GUARDRAIL
DETAIL SHEET**

PROJECT NAME: WATERBURY
PROJECT NUMBER: STP 2201(I)

FILE NAME: p99b154.dgn
PROJECT LEADER: JLL
DESIGNED BY: STANTEC
IPARM FILE: p99b154gds.i

PLOT DATE: 10-JAN-2011
DRAWN BY: STANTEC
CHECKED BY: STANTEC
SHEET 46 OF 49