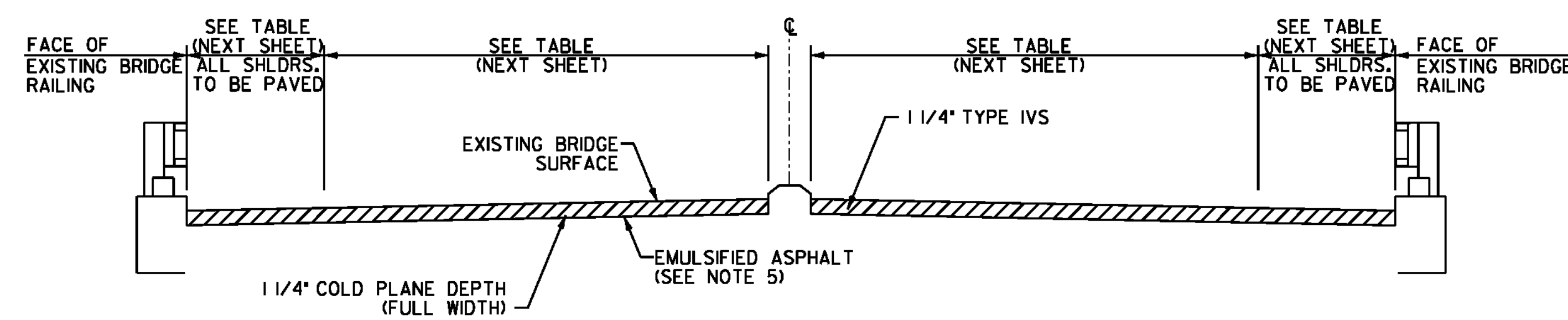
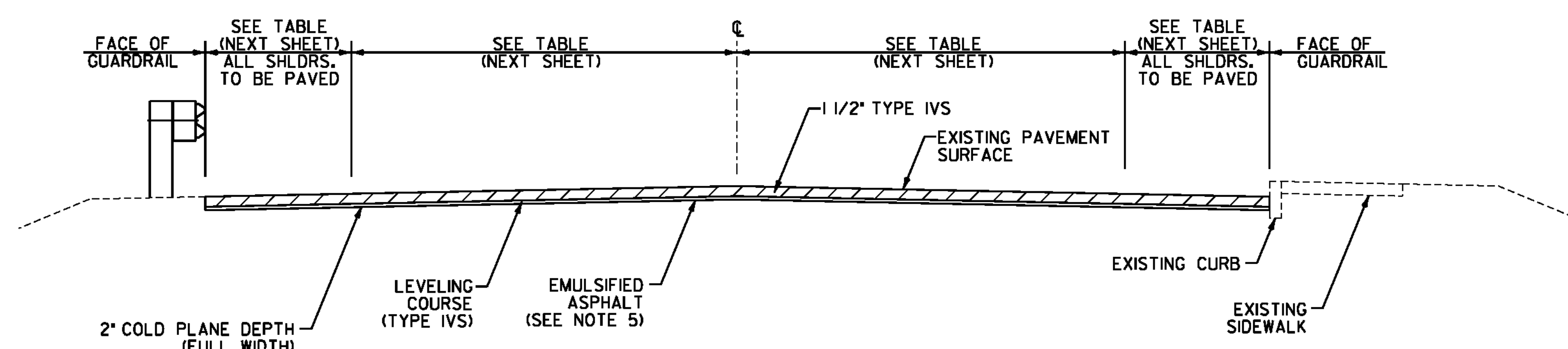


COLD PLANE TYPICAL SECTION - RAISED MEDIAN
 VT ROUTE 100 WATERBURY STA. 0+21.12 TO 17+99
 VT ROUTE 100 WATERBURY STA. 20+39 TO 31+50



COLD PLANE TYPICAL SECTION - BRIDGE NO. 197
 BR*197 WATERBURY STA. 17+99 TO 20+39



COLD PLANE TYPICAL SECTION - NO MEDIAN
 VT ROUTE 100 WATERBURY STA. 31+50 TO 87+12.00

NOTES

1. THIS PROJECT IS IDENTIFIED AS A LEVEL 3 PROJECT IN ACCORDANCE WITH THE CURRENT EDITION OF THE AGENCY'S QUALITY ASSURANCE PROGRAM.
2. THE PAVEMENT WEARING COURSE SHALL BE SUPERPAVE BITUMINOUS CONCRETE PAVEMENT TYPE IVS. THE ESTIMATED 1/2\"/>

SEEDING FORMULA

RATE: DOUBLE IF HYDROSEEDING

% WT.	LBS./A.	NAME	PUR %	GERM %
38	32	CREeping RED FESCUE	98	90
29	24	SPARTAN HARD FESCUE	95	85
15	12	AZAY SHEEP'S FESCUE	95	87
15	12	ANNUAL RYE GRASS	95	90
3	--	INERTS	--	--
100.0	80 LB/A			

SEED NOTES

SEED MIXTURE: SHALL NOT HAVE A WEED CONTENT EXCEEDING 0.40% BY WEIGHT AND SHALL BE FREE OF ALL NOXIOUS SEED.

SEED ITEM 651.15: TO BE APPLIED PER SEEDING FORMULAS OR AS DIRECTED BY THE RESIDENT ENGINEER.

FERTILIZER ITEM 651.18: FORMULA 10-20-10, TO BE USED WITH SEED, APPLIED AT THE RATE OF 500 LBS./ACRE. (HYDRO SEEDERS MAY USE 19-19-19 FORMULA)

AGRICULTURAL LIMESTONE ITEM 651.20: TO BE APPLIED AT THE RATE OF 2 TONS/ACRE, OR AS DIRECTED BY THE RESIDENT ENGINEER.

HAY MULCH ITEM 651.25: TO BE PLACED ON THE EARTH SLOPES AT THE RATE OF 2 TONS/ACRE, OR AS DIRECTED BY THE RESIDENT ENGINEER.

TOPSOIL ITEM 651.35: TO BE USED WITH SEED AS INDICATED ON THE PLANS, OR AS DIRECTED BY THE RESIDENT ENGINEER.

NOT TO SCALE

**PROJECT
TYPICAL
SHEET #1**

PROJECT NAME: WATERBURY	PLOT DATE: 12/7/2010
PROJECT NUMBER: STP 2201(1)	DRAWN BY: STANTEC
FILE NAME: p99b154.dgn	CHECKED BY: STANTEC
PROJECT LEADER: JLL	SHEET 21 OF 49
DESIGNED BY: STANTEC	
IPARM FILE: p99b154pts01.i	

