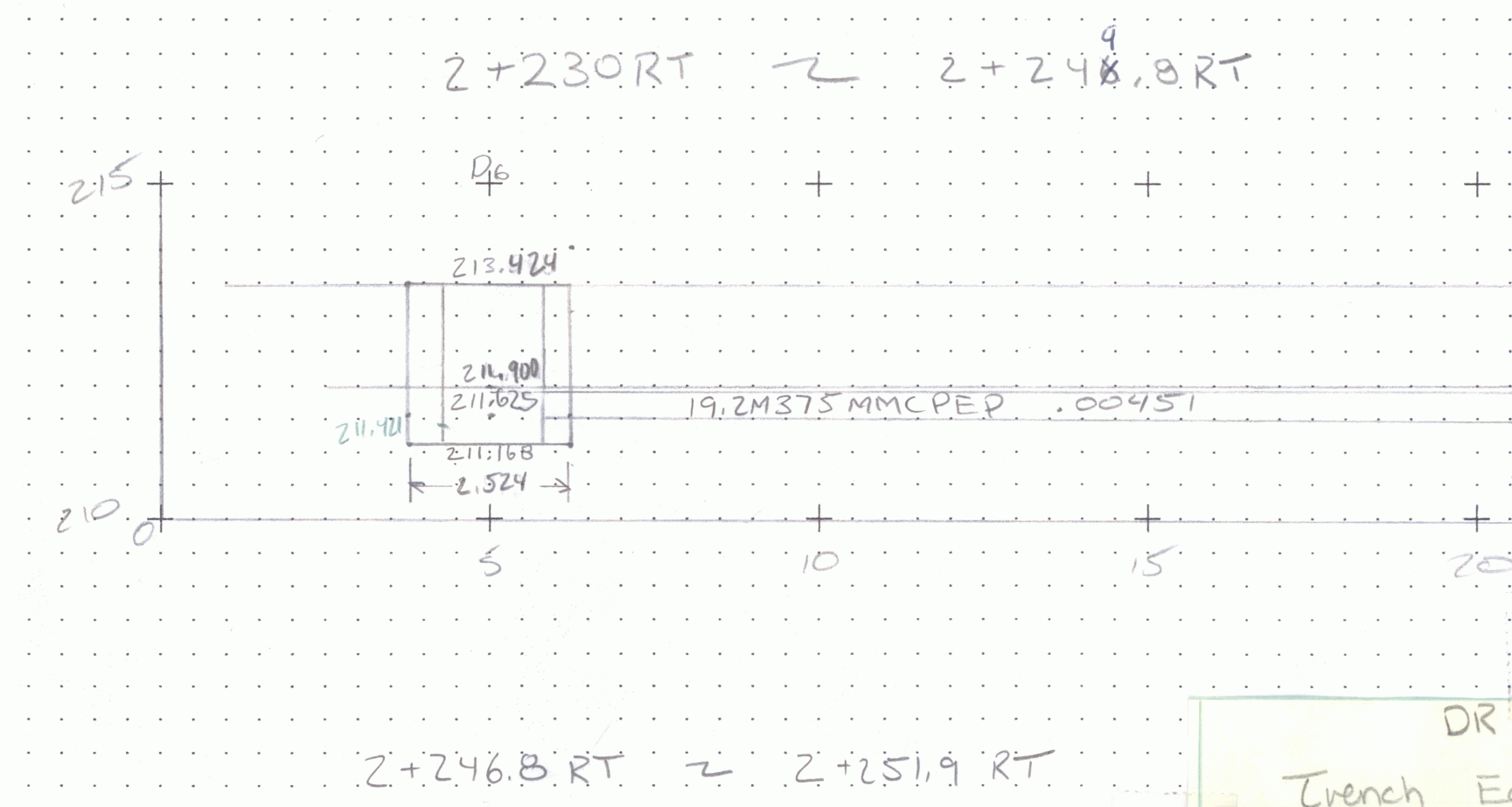


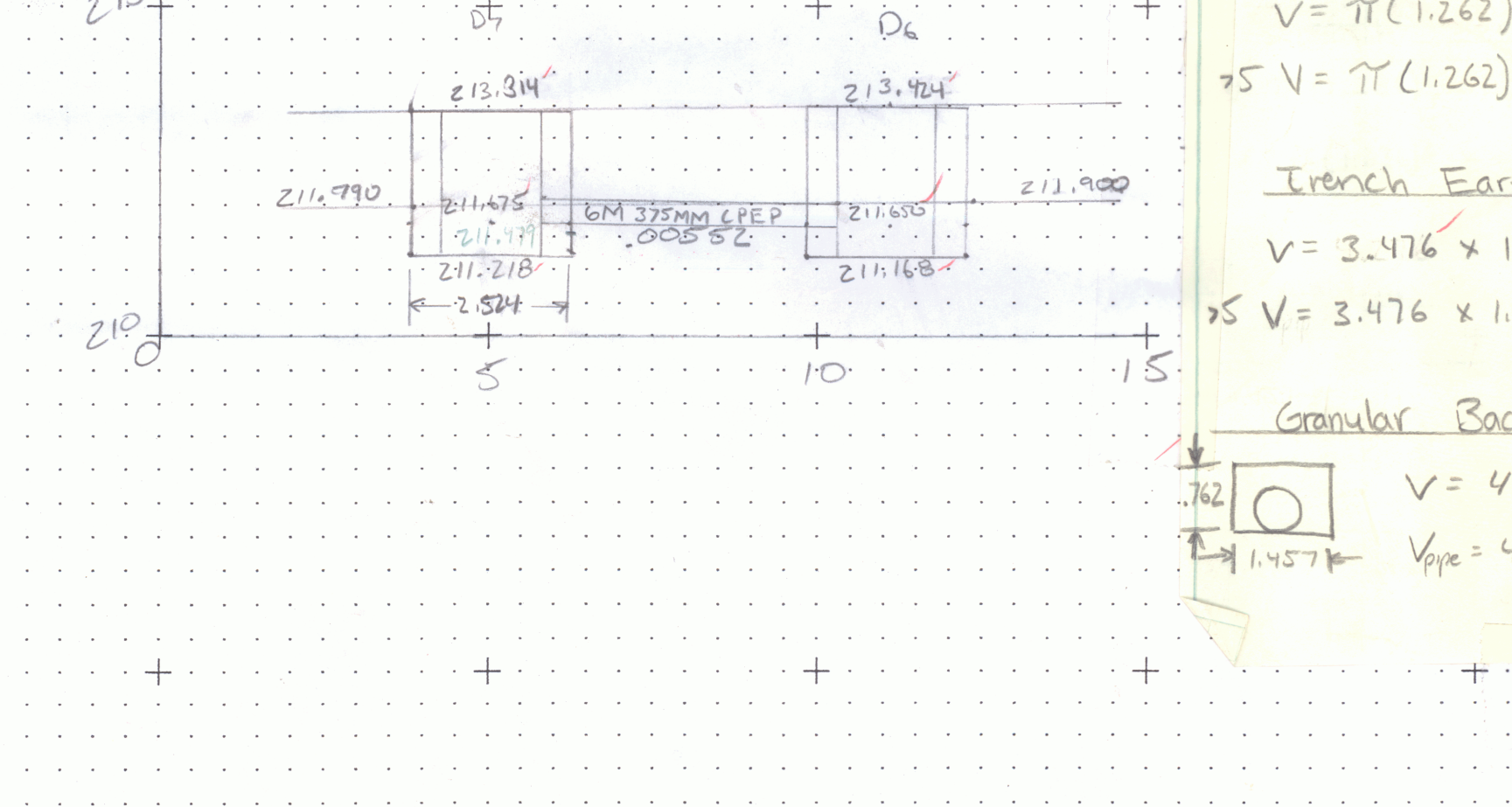
DR 2+230LT ~ 2+230RT
 Trench Earth for D15
 $V = \pi(1.262)^2 \times 1.524 = 7.625 \text{ CM} \checkmark$
 $75V = \pi(1.262)^2 \times .797 \times 1.5 = 15.981 \text{ CM} \checkmark$
 13.606 CM
 Trench Earth for Pipe
 $V = 4.276 \times 1.457 \times 1.524 = 9.495 \text{ CM} \checkmark$
 $75V = 4.276 \times 1.457 \times .943 \times 1.5 = 4.140 \text{ CM} \checkmark$
 13.635 CM
 Granular Backfill
 $V = 5.276 \times .762 \times 1.457 = 5.858 \text{ CM} \checkmark$
 $V_{\text{pipe}} = 5.276 \times \pi(.229)^2 = .869 \text{ CM} \checkmark$
 4.989 CM

~~for Pipe
 $1.457 \times 1.524 = 9.610$
 $1.457 \times .622 \times 1.5 = 5.883$
 1.5.493 CM~~



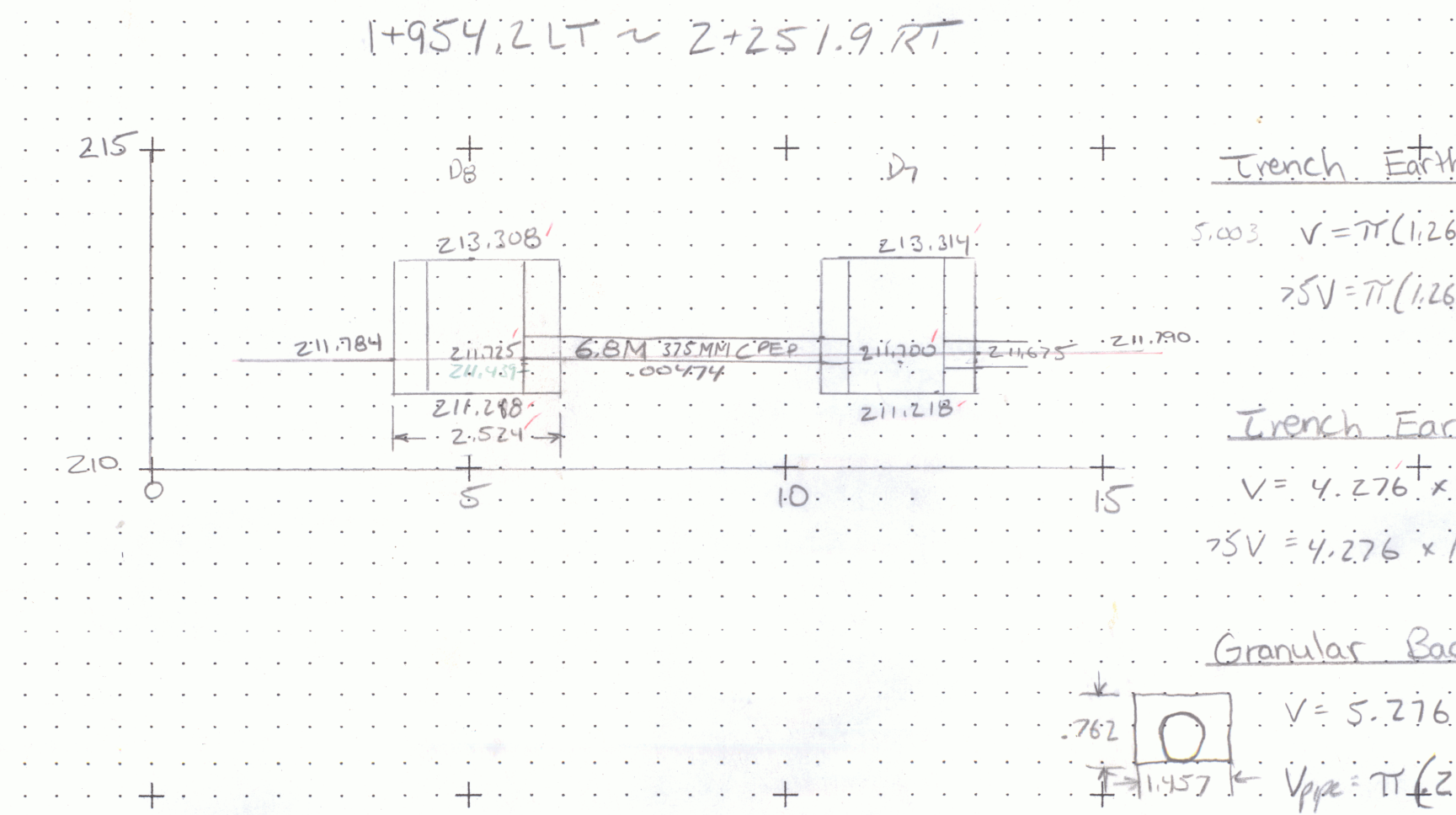
~~Trench Earth for D15
 $V = \pi(1.236)^2 \times 1.524 = 7.314 \text{ CM}$
 $75V = \pi(1.236)^2 \times .873 \times 1.5 = 6.285 \text{ CM}$
 3.599 CM
 Trench Earth for Pipe
 $V = 16.676 \times 1.457 \times 1.524 = 37.029 \text{ CM} \checkmark$
 $75V = 16.676 \times 1.457 \times .295 \times 1.5 = 10.751 \text{ CM} \checkmark$
 47.780 CM
 Granular Backfill
 $V = 17.727 \times 1.457 \times .762 = 5.742 \text{ CM} \checkmark$
 $V_{\text{pipe}} = \pi(.229)^2 \times 17.727 = .869 \text{ CM} \checkmark$
 16.712 CM~~

DR 2+230RT ~ 2+248.8RT
 Trench Earth for D15
 $V = \pi(1.262)^2 \times 1.524 = 7.625 \text{ CM} \checkmark$
 $75V = \pi(1.262)^2 \times .782 \times 1.5 = 5.493 \text{ CM} \checkmark$
 13.118 CM
 Trench Earth for Pipe
 $V = 16.676 \times 1.457 \times 1.524 = 37.029 \text{ CM} \checkmark$
 $75V = 16.676 \times 1.457 \times .295 \times 1.5 = 10.751 \text{ CM} \checkmark$
 47.780 CM
 Granular Backfill
 $V = 17.676 \times 1.457 \times .762 = 19.624 \text{ CM} \checkmark$
 $V_{\text{pipe}} = 17.676 \times \pi(.229)^2 = 2.912 \text{ CM} \checkmark$
 16.712 CM

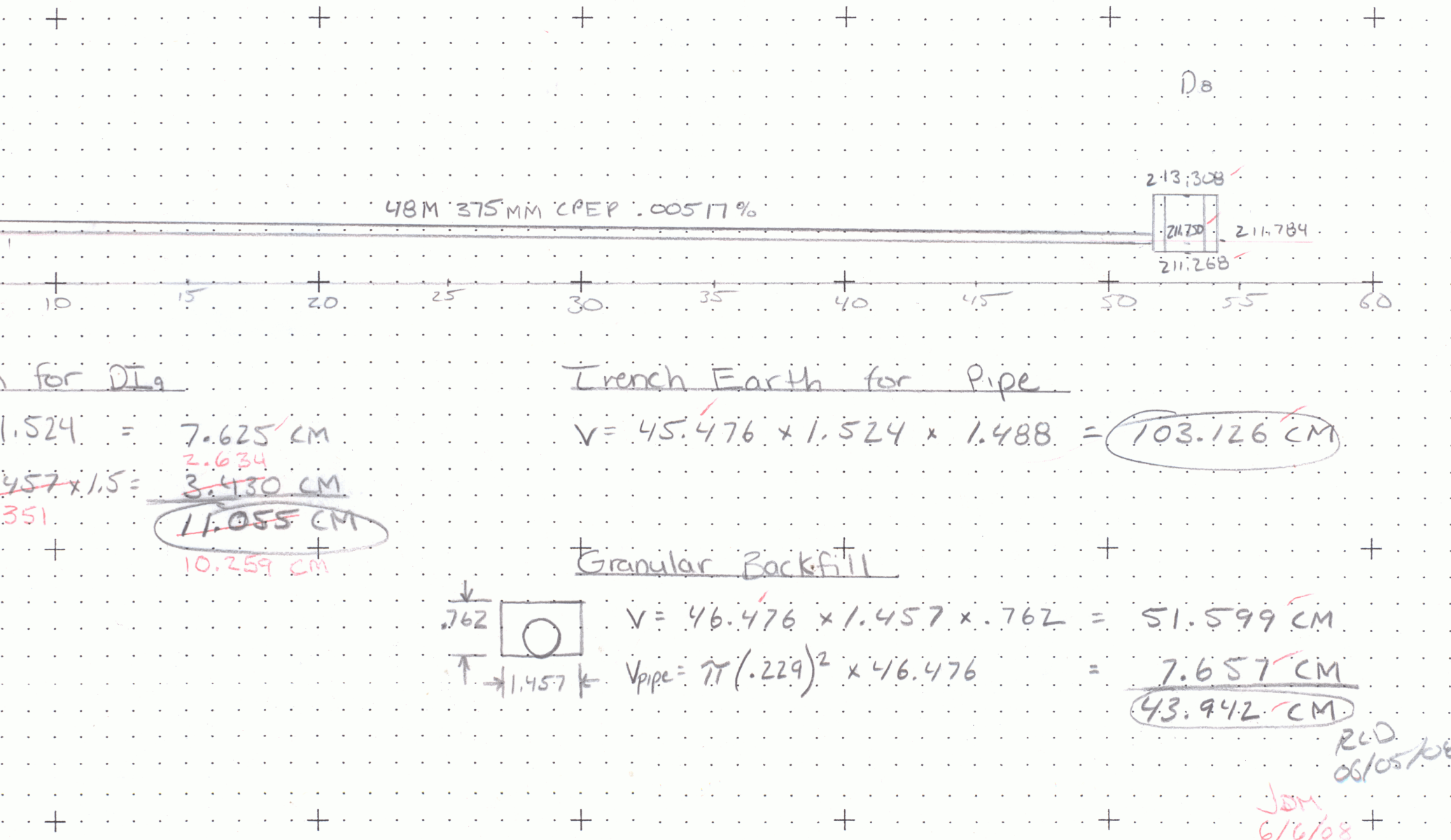


DR 2+246.8RT ~ 2+251.9RT
 Trench Earth for D15
 $V = \pi(1.262)^2 \times 1.524 = 7.625 \text{ CM} \checkmark$
 $75V = \pi(1.262)^2 \times .572 \times 1.5 = 4.293 \text{ CM} \checkmark$
 11.918 CM
 Trench Earth for Pipe
 $V = 3.476 \times 1.457 \times 1.524 = 7.718 \text{ CM} \checkmark$
 $75V = 3.476 \times 1.457 \times .183 \times 1.5 = 1.390 \text{ CM} \checkmark$
 9.108 CM
 Granular Backfill
 $V = 4.476 \times 1.457 \times .762 = 4.969 \text{ CM} \checkmark$
 $V_{\text{pipe}} = 4.476 \times \pi(.229)^2 = .787 \text{ CM} \checkmark$
 4.232 CM

~~for Pipe
 $1.457 \times 1.524 = 7.884$
 $1.457 \times .324 \times 1.5 = 2.498$
 10.332 CM~~



Trench Earth for D15
 $V = \pi(1.262)^2 \times 1.524 = 7.625 \text{ CM} \checkmark$
 $75V = \pi(1.262)^2 \times .516 \times 1.5 = 3.872 \text{ CM} \checkmark$
 11.497 CM
 Trench Earth for pipe
 $V = 4.276 \times 1.457 \times 1.524 = 9.495 \text{ CM} \checkmark$
 $75V = 4.276 \times 1.457 \times .075 \times 1.5 = 1.01 \text{ CM} \checkmark$
 10.196 CM
 Granular Backfill
 $V = 5.276 \times 1.457 \times .762 = 5.858 \text{ CM} \checkmark$
 $V_{\text{pipe}} = \pi(.229)^2 \times 5.276 = .869 \text{ CM} \checkmark$
 4.989 CM



Trench Earth for D15
 $V = \pi(1.262)^2 \times 1.524 = 7.625 \text{ CM} \checkmark$
 $75V = \pi(1.262)^2 \times .457 \times 1.5 = 3.430 \text{ CM} \checkmark$
 11.055 CM
 Trench Earth for Pipe
 $V = 45.476 \times 1.524 \times 1.488 = 103.126 \text{ CM} \checkmark$
 Granular Backfill
 $V = 46.476 \times 1.457 \times .762 = 51.599 \text{ CM} \checkmark$
 $V_{\text{pipe}} = \pi(.229)^2 \times 46.476 = 7.657 \text{ CM} \checkmark$
 43.942 CM

PROJECT:	PROJECT NO.:
DESIGN FILE NAME:	PLOT DATE: 01-MAY-1996
IPARM FILE NAME:	SHEET: OF