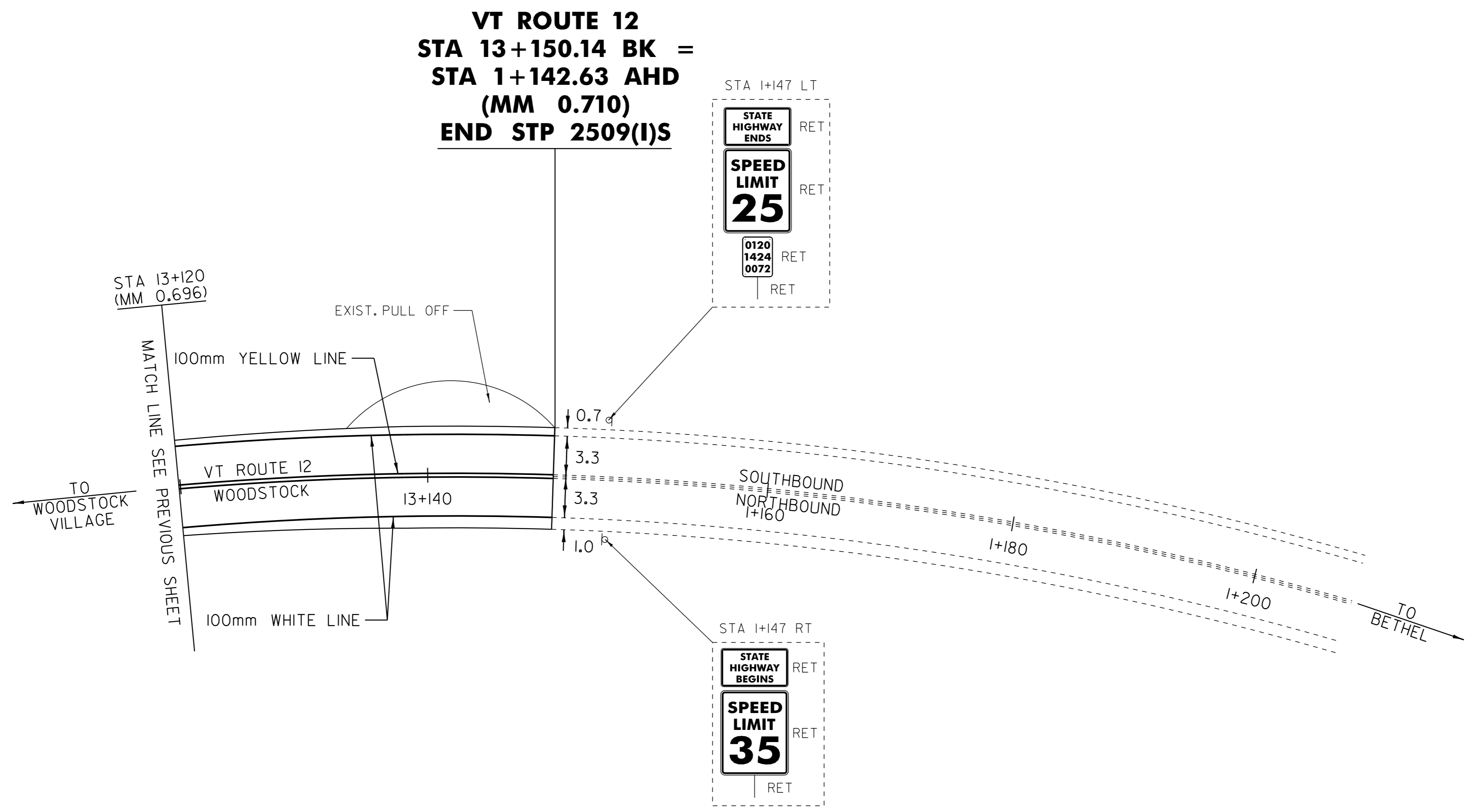


TEMPORARY 100mm WHITE LINE, PAINT
 DURABLE 100mm WHITE LINE, THERMOPLASTIC
 STA 13+120 TO 13+150 SOLID LT & RT EDGE LINE

TEMPORARY 100mm YELLOW LINE, PAINT
 DURABLE 100mm YELLOW LINE, THERMOPLASTIC
 STA 13+120 TO 13+150 SOLID LT & RT



VT ROUTE 12
STA 13+150.14 BK =
STA 1+142.63 AHD
(MM 0.710)
END STP 2509(I)S

TO
WOODSTOCK
VILLAGE

TO
BETHEL

NOT TO SCALE

LEGEND

R	=	REMOVE EXISTING
S	=	SALVAGE
R&S	=	REMOVE AND SALVAGE
N	=	NEW
RET	=	RETAIN
B-B	=	BACK TO BACK

NOTE: ALL DIMENSIONS IN METERS EXCEPT AS INDICATED

**PAVING
LAYOUT 8**

PROJECT NAME:	WOODSTOCK
PROJECT NUMBER:	STP 2509(I)S
DESIGN FILE NAME:	/pave/05c056/pc056.dgn
IPARM FILE NAME:	pc0561a08.i
PROJECT LEADER:	PTS
DESIGNED BY:	NLL
PLOT DATE:	11-JUN-2012 16:17
DRAWN BY:	MRS
CHECKED BY:	NLL
SHEET	69 OF 73