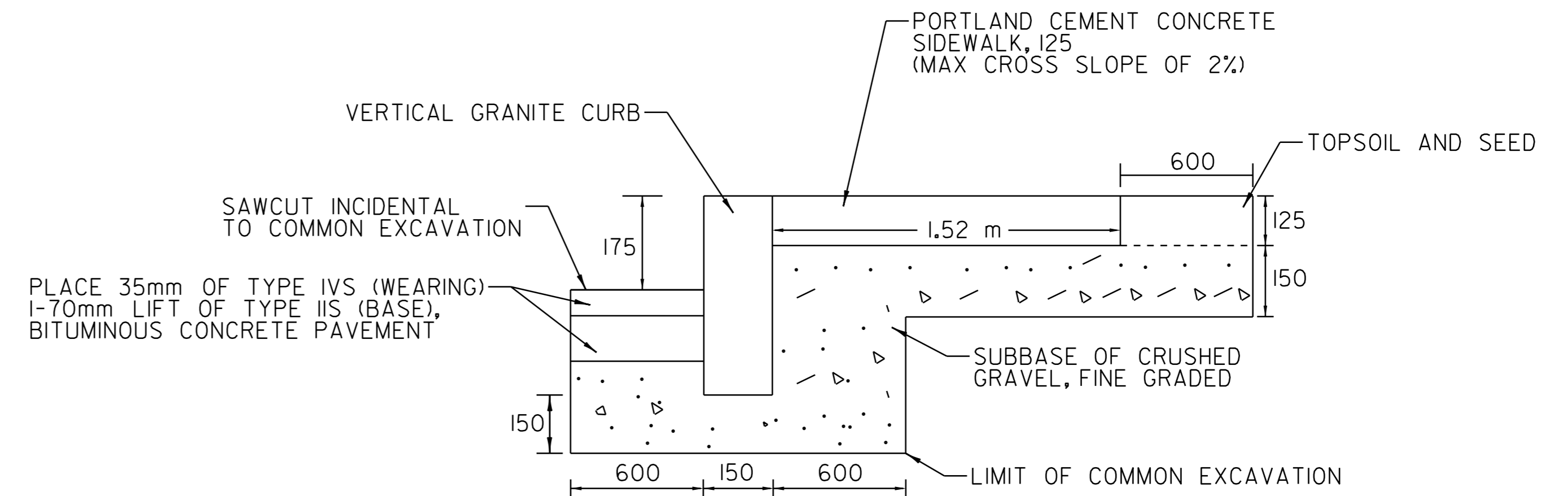


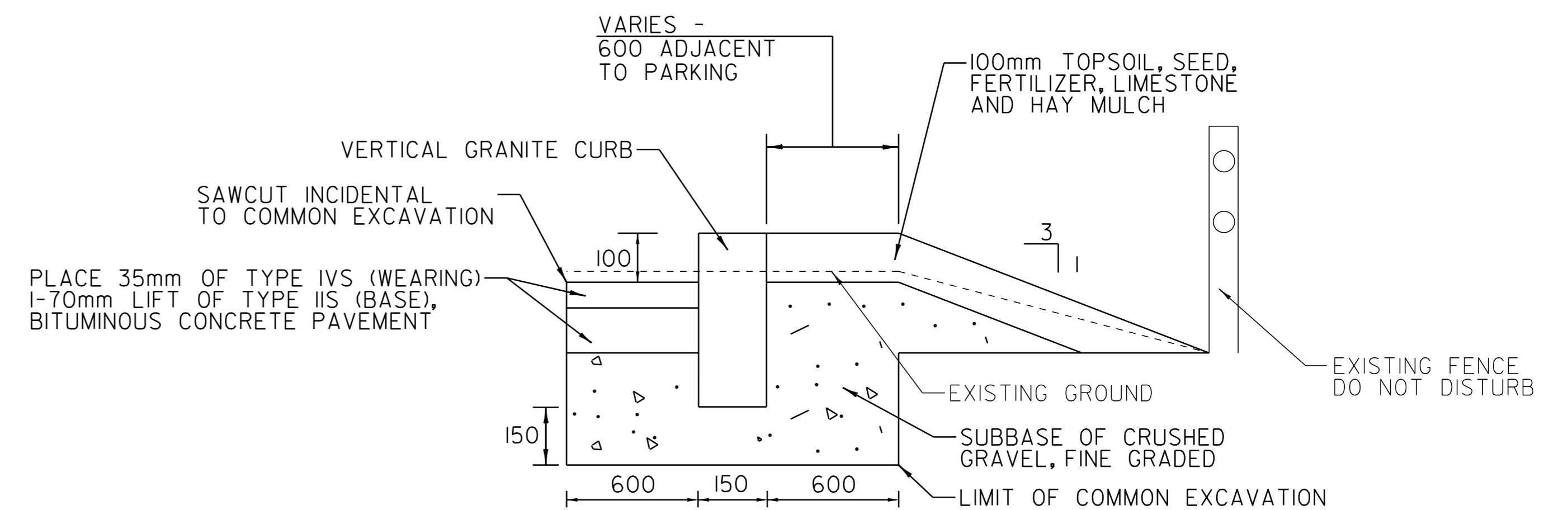
SIDEWALK RAMP PAY LIMIT DETAILS

- NOTE:
1. THIS DETAIL IS FOR PAY LIMITS ONLY. FOR INDIVIDUAL RAMP CONFIGURATIONS, SLOPES, DIMENSIONS, ETC., SEE VTRANS STANDARDS C-3AM/C-3BM.
 2. SEE ITEM DETAIL SHEETS FOR LOCATIONS OF RAMPS TO BE RECONSTRUCTED.

NOT TO SCALE



SIDEWALK AND CURB CONSTRUCTION DETAIL



CURB CONSTRUCTION DETAIL

STA 1+746 TO 1+956 LT
STA 2+043 TO 2+251 RT

NOTE: ALL DIMENSIONS IN MILLIMETERS EXCEPT AS INDICATED

COMPOSITE CURB&RAMP DETAILS	PROJECT NAME: WOODSTOCK	PLOT DATE: 11-JUN-2012 16:15
	PROJECT NUMBER: NH 2606(I)S / STP 2509(I)S	DRAWN BY: MRS
	DESIGN FILE NAME: /pave/06b036/pb036.dgn	CHECKED BY: NULL
	IPARM FILE NAME: pb036ccr05.i	SHEET 7 OF 73
	PROJECT LEADER: PTS	
	DESIGNED BY: NULL	