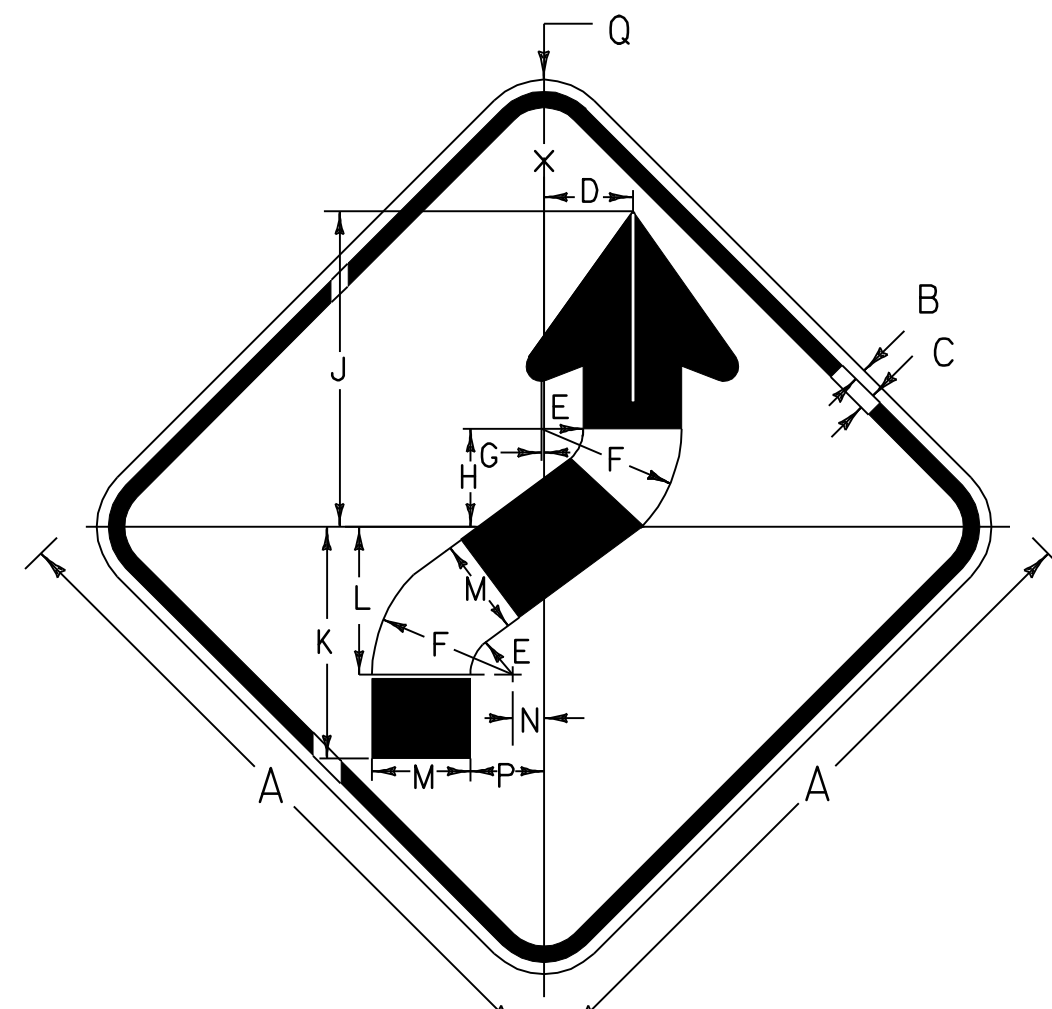
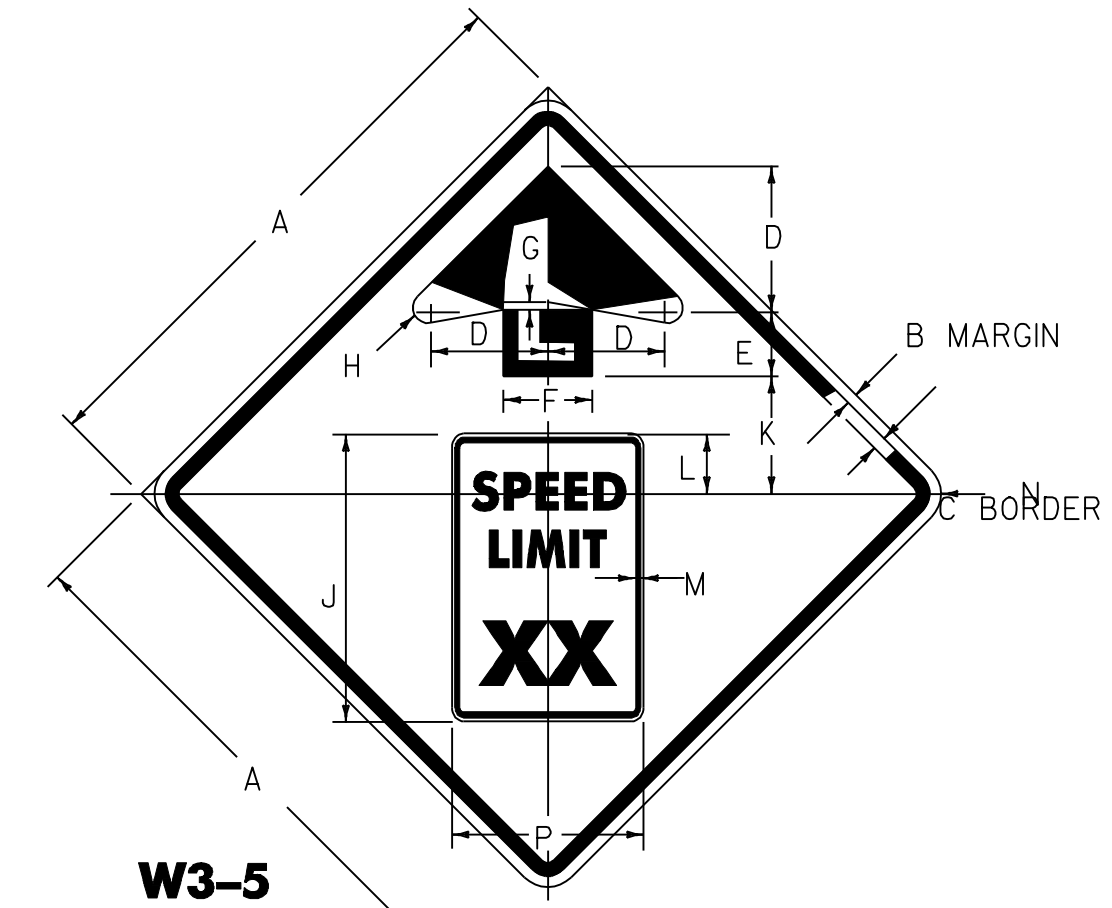


VW2-1MH
STA. 100+43.02, RT.
STA. 111+56.64, LT.



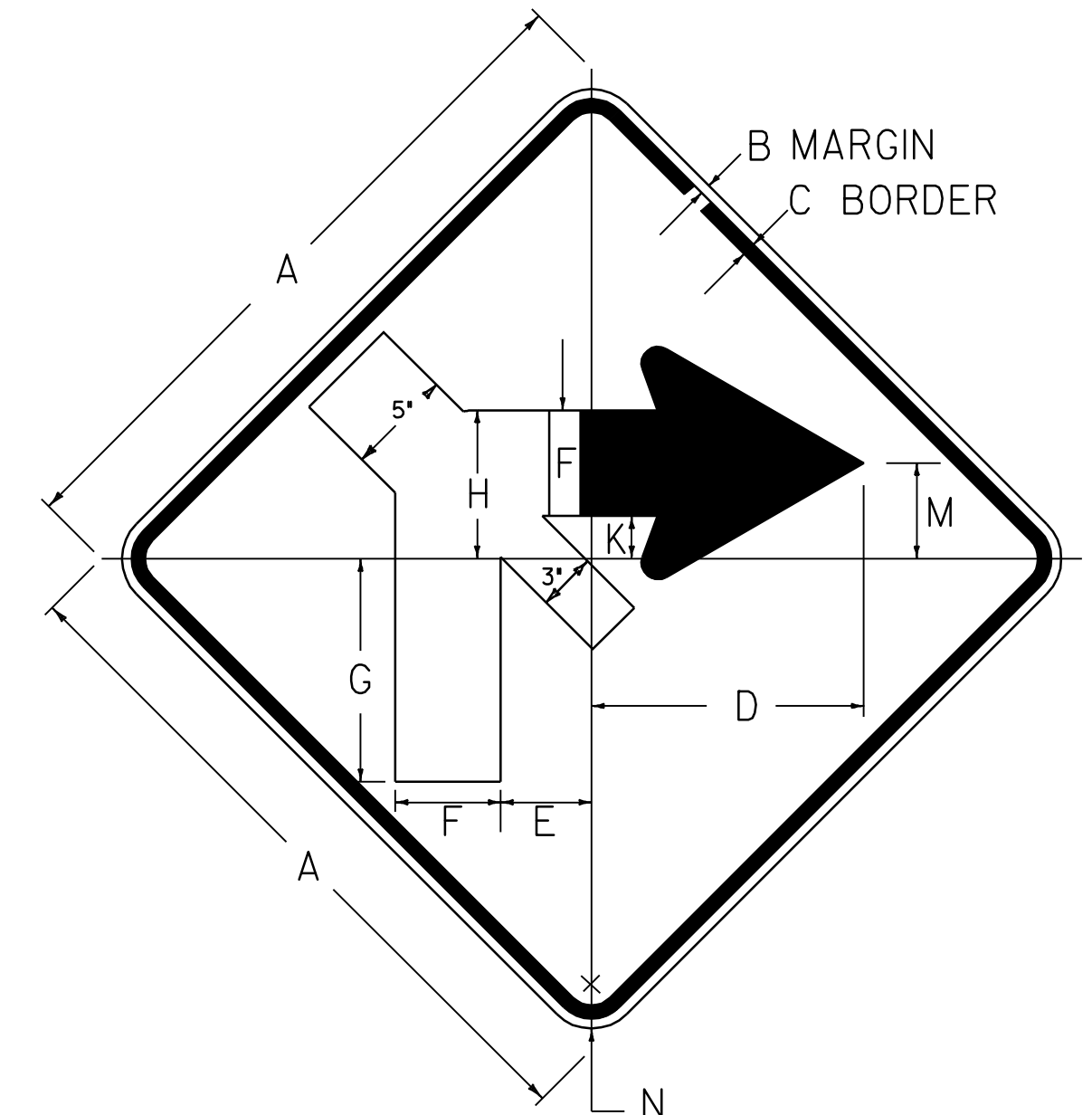
W1-4R
STA. 576+01.12, RT.
STA. 596+48.16, LT.

SIGN	DIMENSIONS (INCHES)														
	A	B	C	D	E	F	G	H	J	K	L	M	N	P	Q
STD. & MIN.	36	5/8	7/8	4 23/32	2 1/4	7 1/2	5 3/32	5 1/4	16 7/8	12 3/8	7 7/8	5 1/4	1 11/16	3 5/16	2 1/4
SPECIAL	48	3/4	1 1/4	6 5/16	3	10	3/16	7	22 1/2	16 1/2	10 1/2	7	2 1/4	5 1/4	3



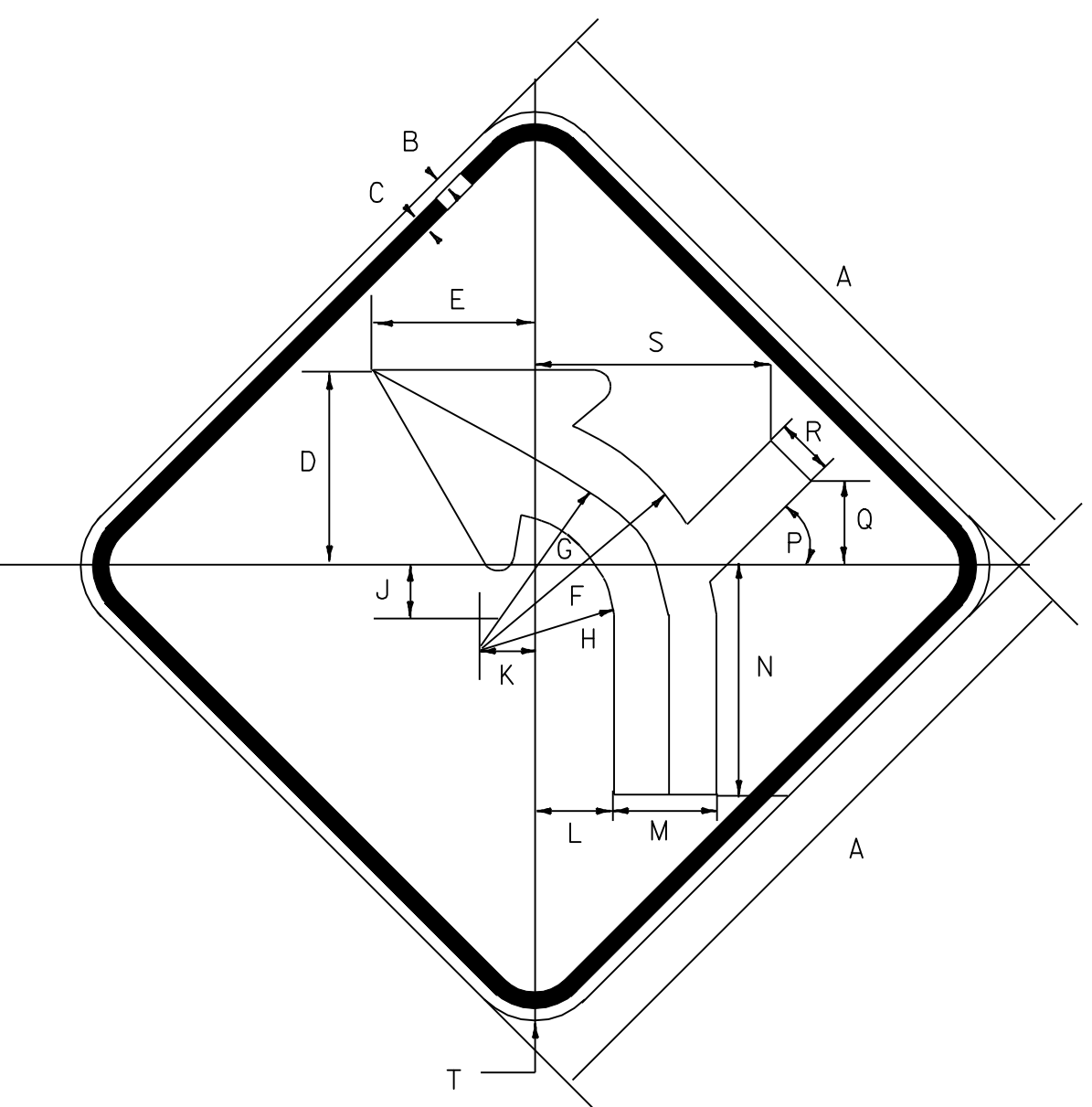
W3-5
COLORS
BORDER AND ARROW - BLACK (NON-REFL)
SYMBOL - BLACK TEXT ON WHITE BACKGROUND (REFL)
STA. 009+13.44, LT.
STA. 036+27.44, LT
STA. 123+12.96, RT.
STA. 278+30.88, RT.
STA. 345+41.76, LT.
STA. 386+07.36, LT.
STA. 714+22.56, RT.
STA. 763+80.48, LT.

SIGN	DIMENSIONS (INCHES)													
	A	B	C	D	E	F	G	H	J	K	L	M	N	P
STD.	36	5/8	7/8	9	4 1/2	6	3/4	3/8	18	7 1/2	3 1/2	5/8	2 1/4	12
SPECIAL	48	3/4	1 1/4	12	6	8	1	1/2	24	10	4 1/2	5/8	3	18



VWI-1MEL
STA. 746+90.88, RT.
STA. 754+88.16, RT.

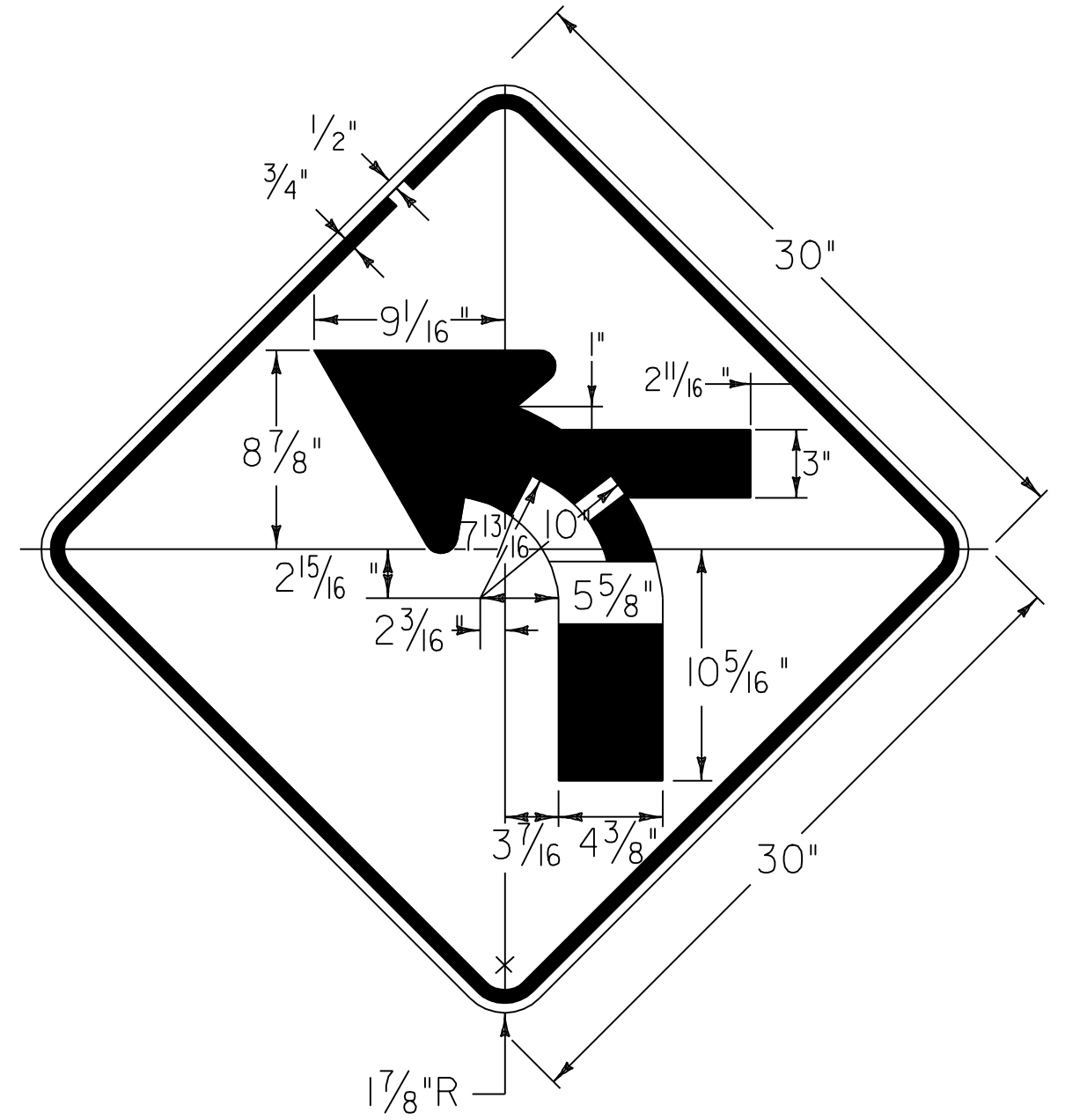
SIGN	DIMENSIONS (INCHES)												
	A	B	C	D	E	F	G	H	J	K	L	M	N
PATH	18	3/8	5/8	7 1/4	2 1/4	2 5/8	5 7/8	3 3/4	1 7/8	1	5/8	2 1/2	1 1/2
MIN.	24	3/8	5/8	9 5/8	3	3 1/2	7 3/4	5	2 1/2	1 1/2	1 3/16	3 1/4	1 1/2
STD.	30	1/2	3/4	12	3 3/4	4 3/8	9 11/16	6 1/4	3	1 7/8	1	4 1/16	1 7/8
EXPWY.	36	5/8	7/8	14 3/8	4 1/2	5 1/4	11 5/8	7 1/2	3 5/8	2 1/4	1 1/4	4 7/8	2 1/4
SPECIAL	48	3/4	1 1/4	19 3/16	6	7	15 1/2	10	4 7/8	3	1 5/8	6 1/2	3



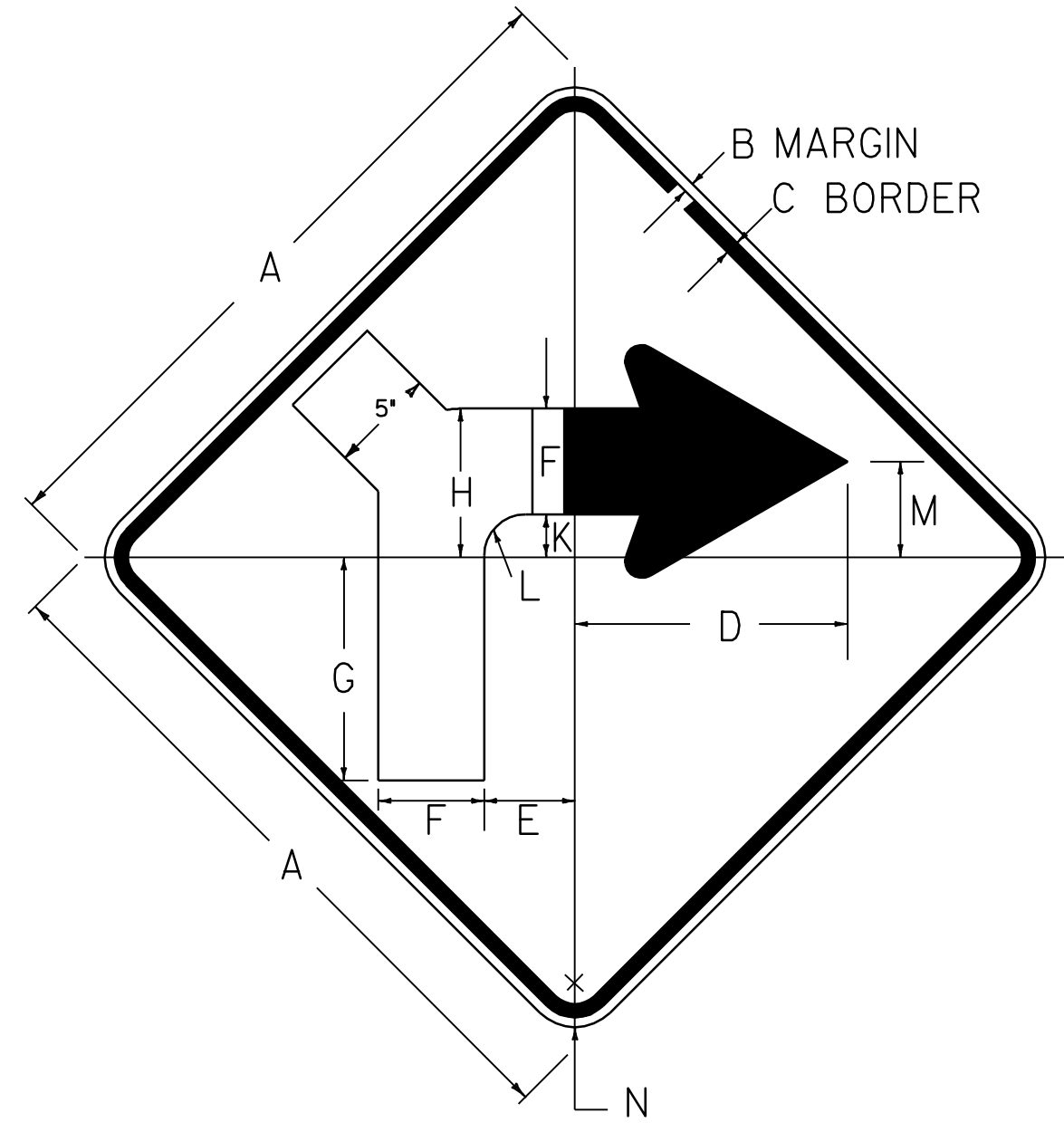
WI-1OR
STA. 661+58.40, RT.
STA. 675+89.28, LT.
STA. 893+60.32, RT.

SIGN	DIMENSIONS (INCHES)										
	A	B	C	D	E	F	G	H	J	K	L
MIN.	30	1/2	3/4	9 3/4	7 1/2	9 7/8	7 7/8	5 7/8	2 1/4	2 1/4	3 1/2
STD.	36	5/8	7/8	12 1/8	9 3/8	12 1/4	9 3/4	7 1/4	2 7/8	3	4 3/8
EXPWY.	48	3/4	1 1/4	17	13 1/8	17	13 1/2	10	3 5/16	4	6

M	N	P	Q	R	S	T
4	9 3/4	45°	5 3/16	2 5/8	9 5/8	1 7/8
5	12 1/8	45°	6 1/4	3	11 1/2	2 1/4
7	17	45°	8 1/4	4	15 3/8	3



W1-2L (MOD)
COLORS:
BLACK SYMBOL & BORDER
WITH YELLOW BACKGROUND
STA. 428+31.36, LT.
STA. 836+24.64, RT.
STA. 849+60.48, LT.
STA. 904+04.16, LT.
STA. 922+99.68, RT.
STA. 935+88.00, LT.



VWI-1MDR
STA. 1022+94.72, RT.
STA. 1035+19.68, LT.

SIGN	DIMENSIONS (INCHES)													
	A	B	C	D	E	F	G	H	J	K	L	M	N	
PATH	18	3/8	5/8	7 1/4	2 1/4	2 5/8	5 7/8	3 3/4	1 7/8	1	5/8	2 1/2	1 1/2	
MIN.	24	3/8	5/8	9 5/8	3	3 1/2	7 3/4	5	2 1/2	1 1/2	1 3/16	3 1/4	1 1/2	
STD.	30	1/2	3/4	12	3 3/4	4 3/8	9 11/16	6 1/4	3	1 7/8	1	4 1/16	1 7/8	
EXPWY.	36	5/8	7/8	14 3/8	4 1/2	5 1/4	11 5/8	7 1/2	3 5/8	2 1/4	1 1/4	4 7/8	2 1/4	
SPECIAL	48	3/4	1 1/4	19 3/16	6	7	15 1/2	10	4 7/8	3	1 5/8	6 1/2	3	