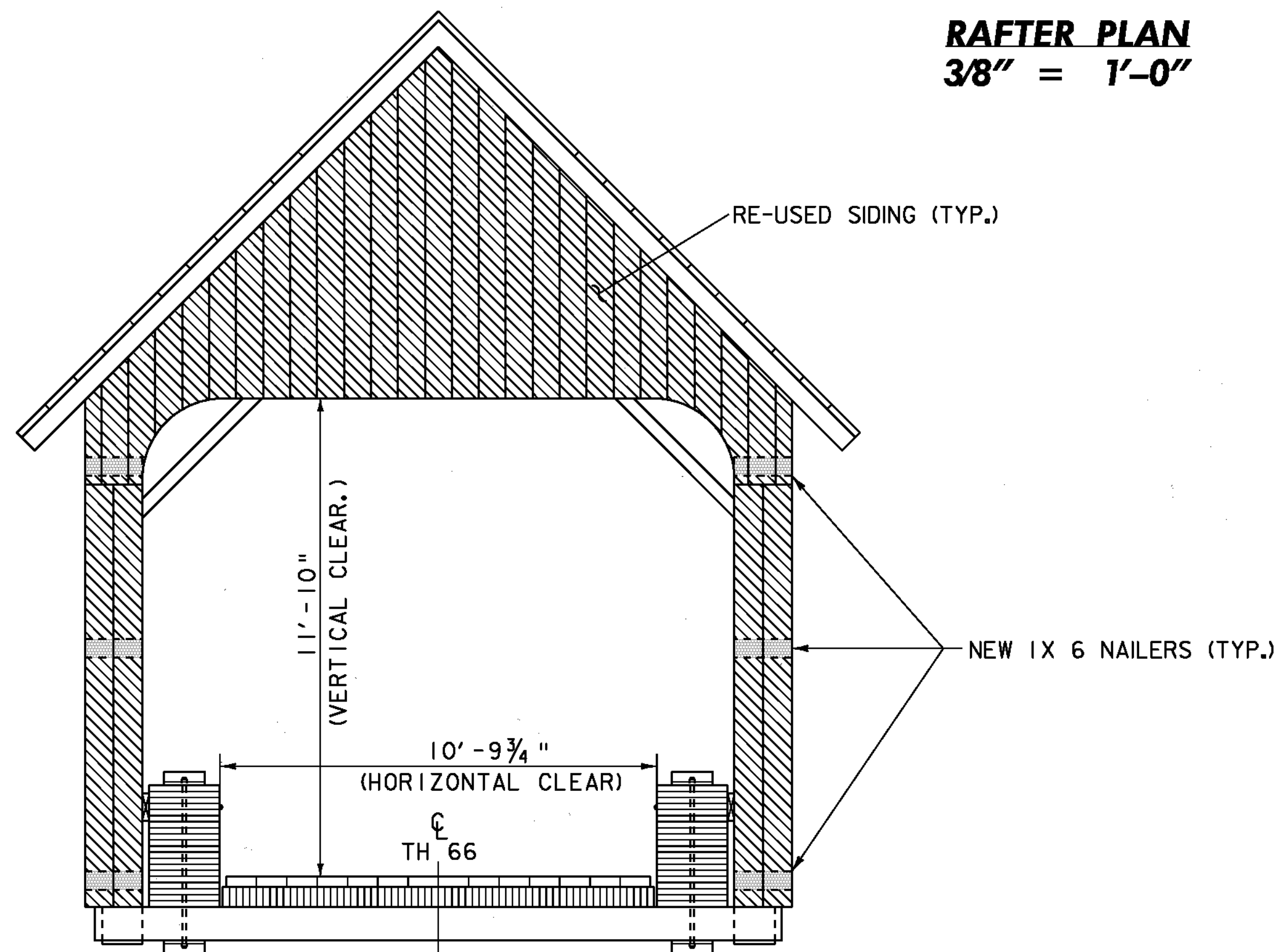
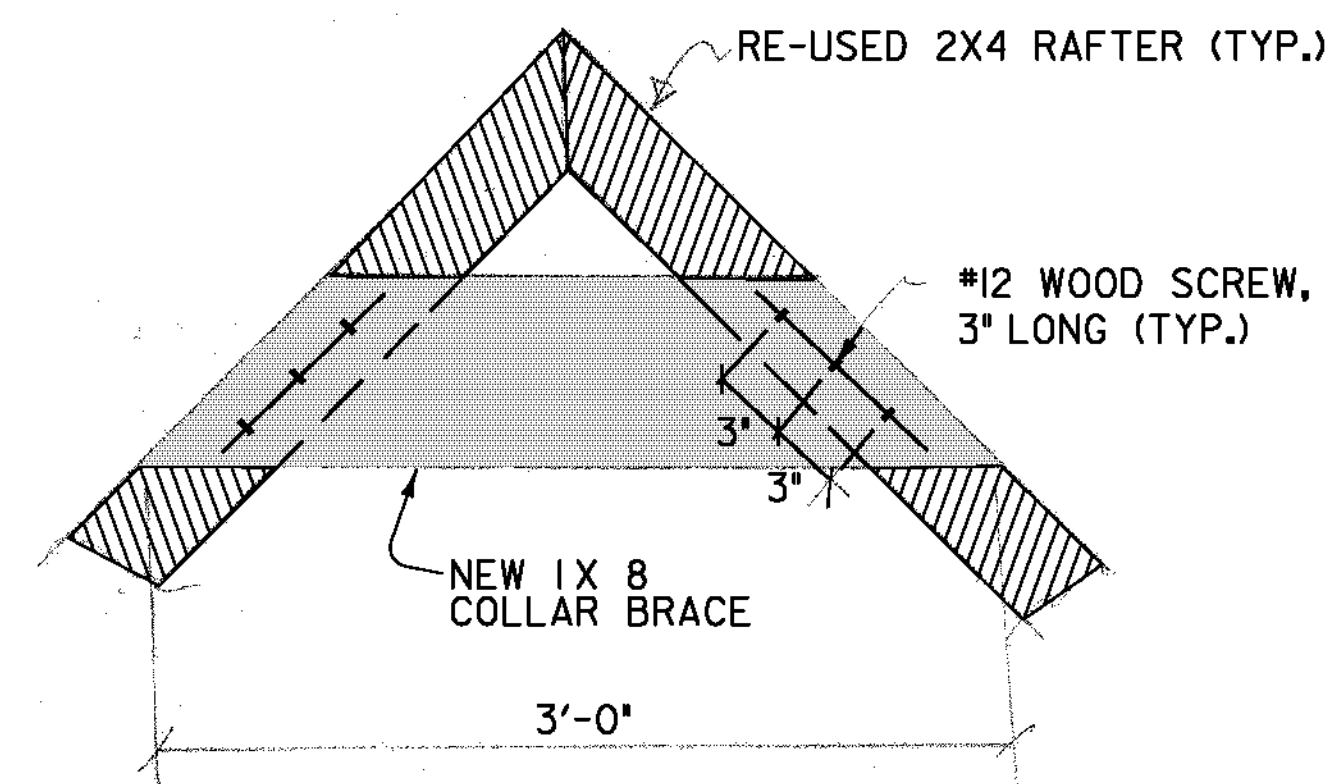


RAFTER PLAN
3/8" = 1'-0"

NEW
 REUSED



END SECTION (TYP.)
not to scale



SECTION F-F
1 1/2" = 1'-0"

PROJECT NAME: RANDOLPH	PLOT DATE: 09-NOV-2010
PROJECT NUMBER: BHO 1444(53)	DRAWN BY: C. Weeber
FILE NAME: RandolphDetails.dgn	DESIGNED BY: J. Weaver
PROJECT LEADER: M. Sargent	CHECKED BY: M. Sargent
Roof Details	SHEET 20 OF 27