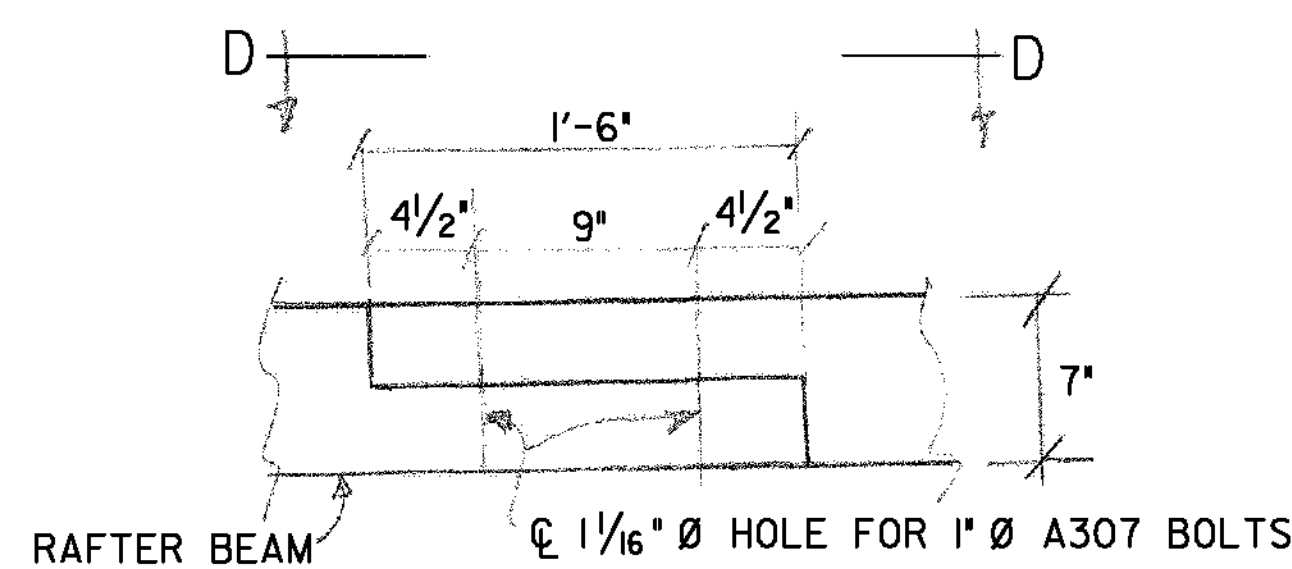
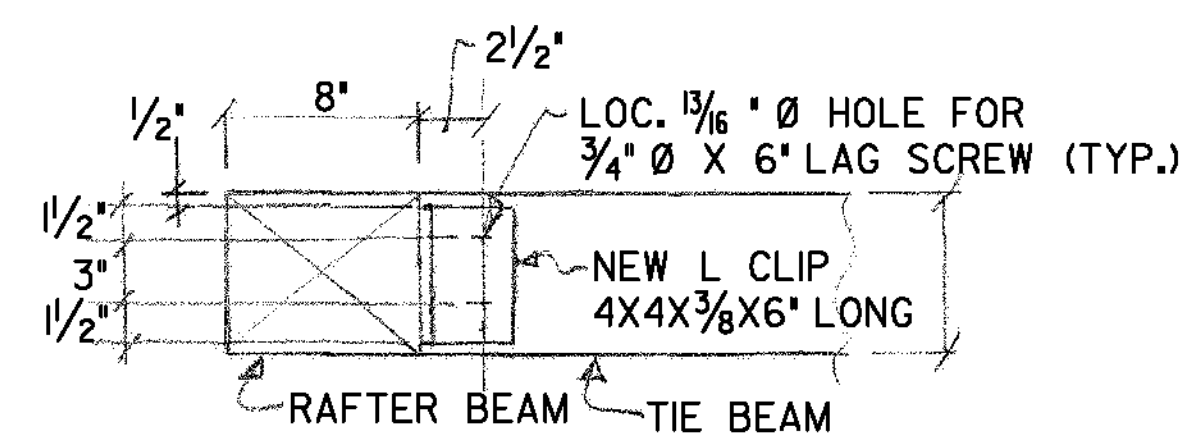


REPLACE
 EXISTING MEMBER

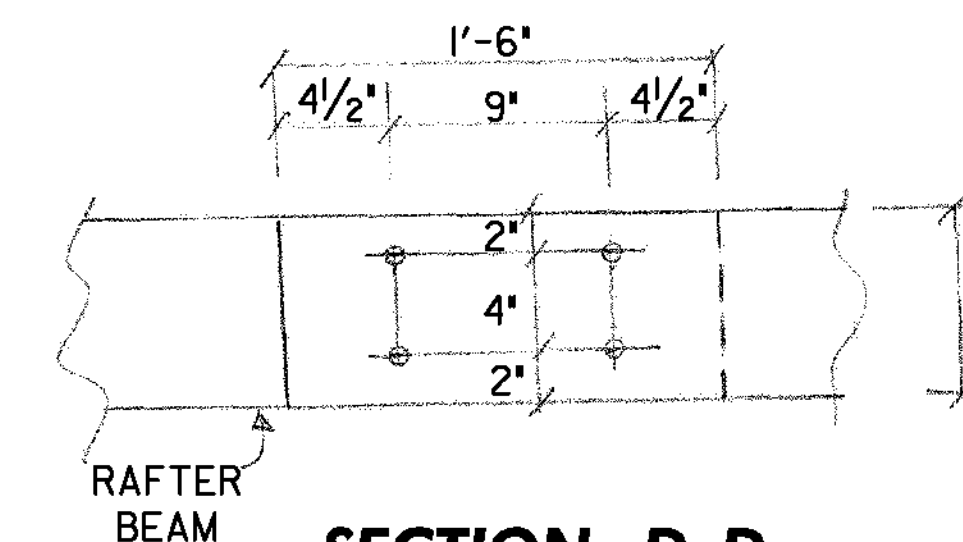
UPPER BRACING
 $3/8'' = 1'-0''$



SECTION C-C
 $1 1/2'' = 1'-0''$



SECTION E-E
 $1 1/2'' = 1'-0''$



SECTION D-D
 $1 1/2'' = 1'-0''$

PROJECT NAME: RANDOLPH
 PROJECT NUMBER: BHO 1444(53)

FILE NAME: RandolphDetails.dgn
 PROJECT LEADER: M. Sargent
 DESIGNED BY: J. Weaver
 UPPER BRACING DETAILS

PLOT DATE: 09-NOV-2010
 DRAWN BY: C. Weeber
 CHECKED BY: M. Sargent
 SHEET 19 OF 27