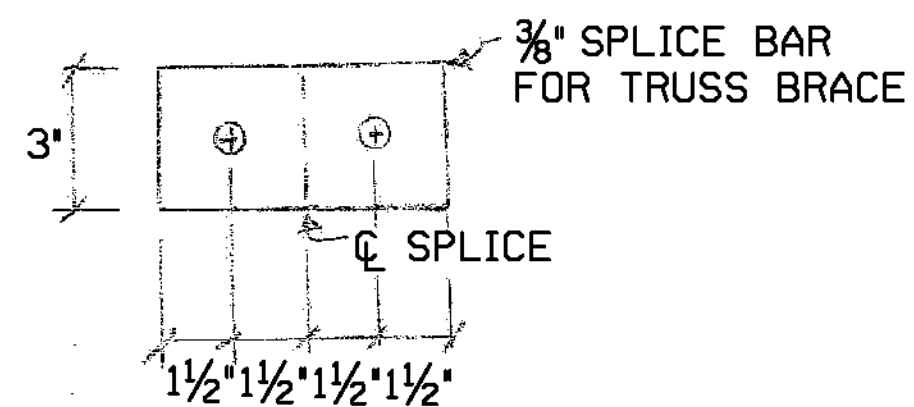
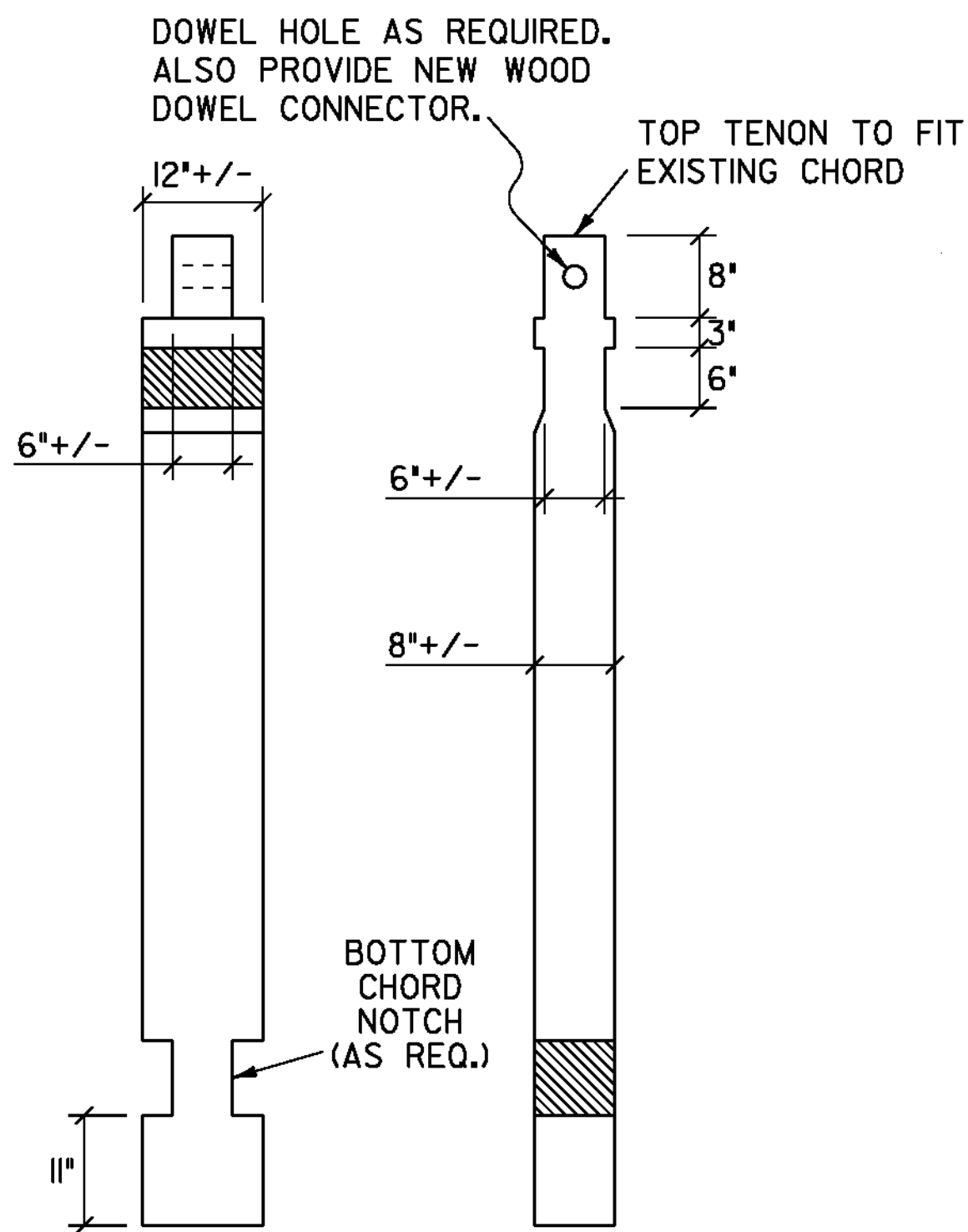


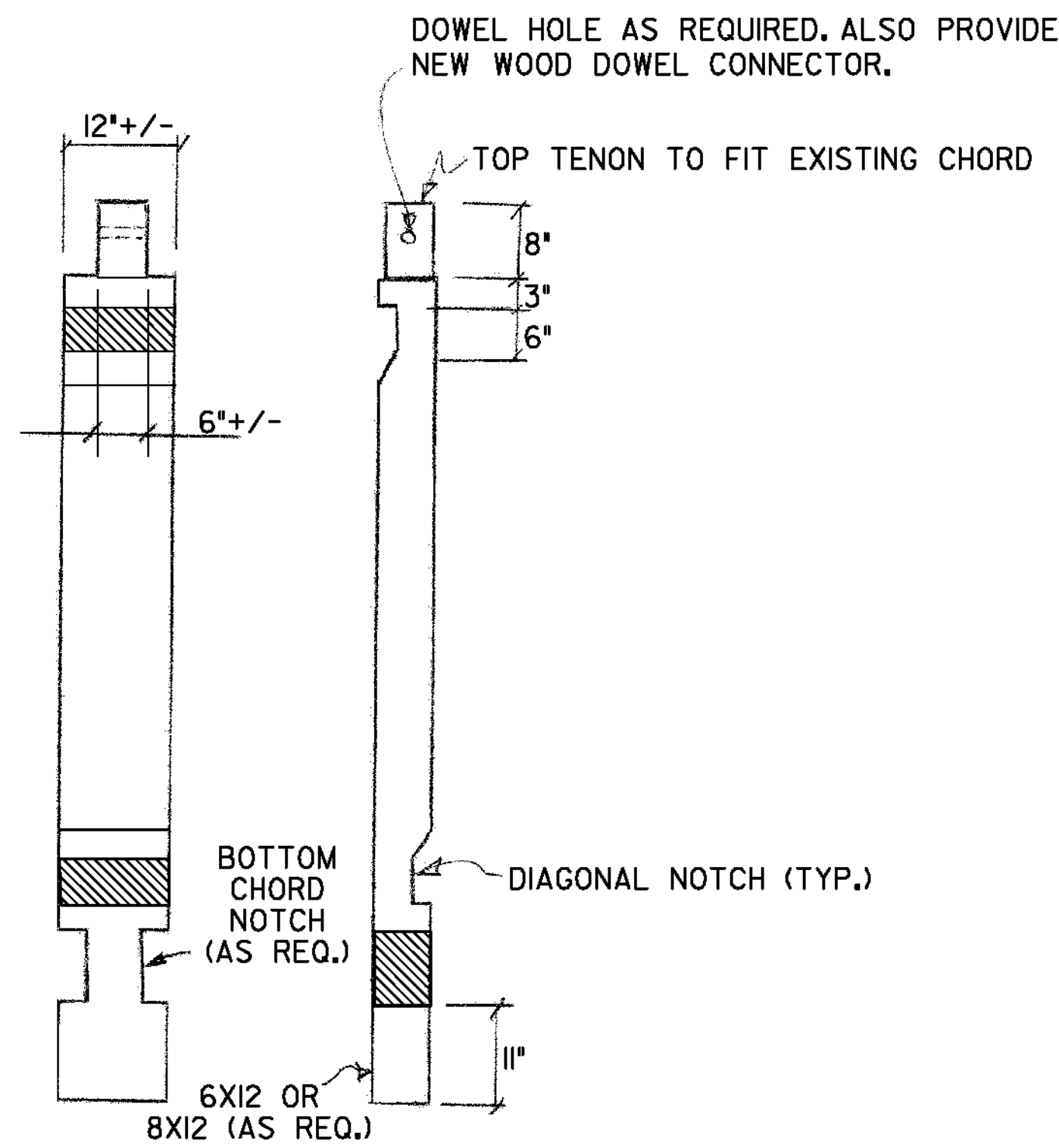
SCALE 3"=1'-0"



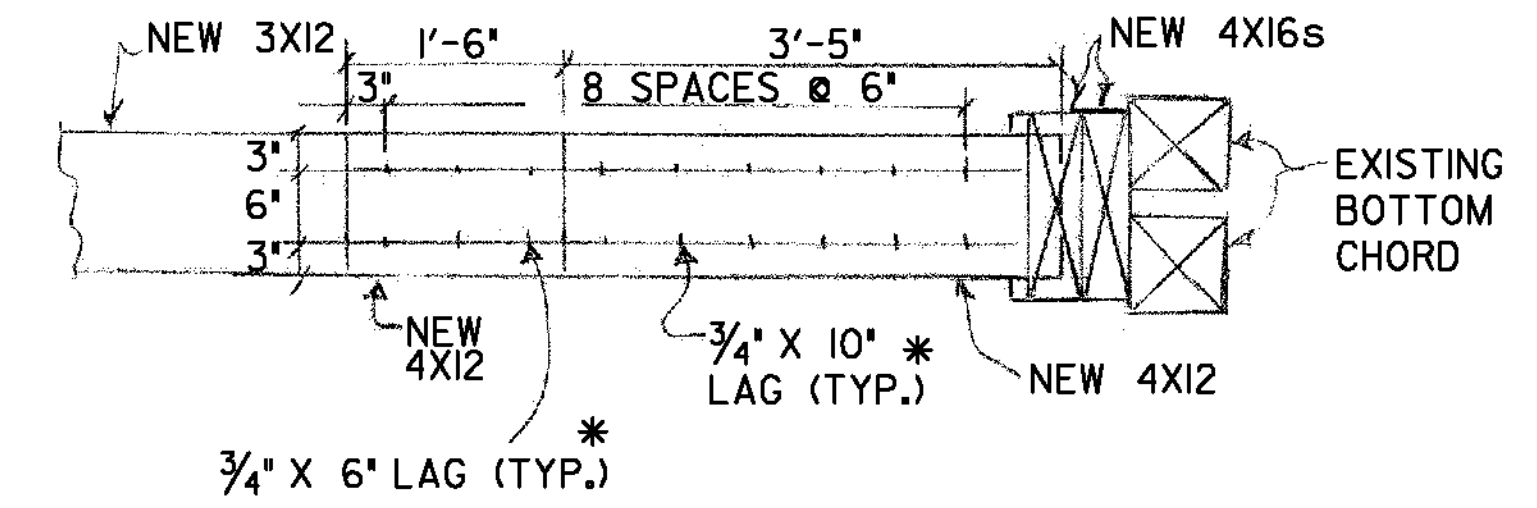
SCALE 3"=1'-0"



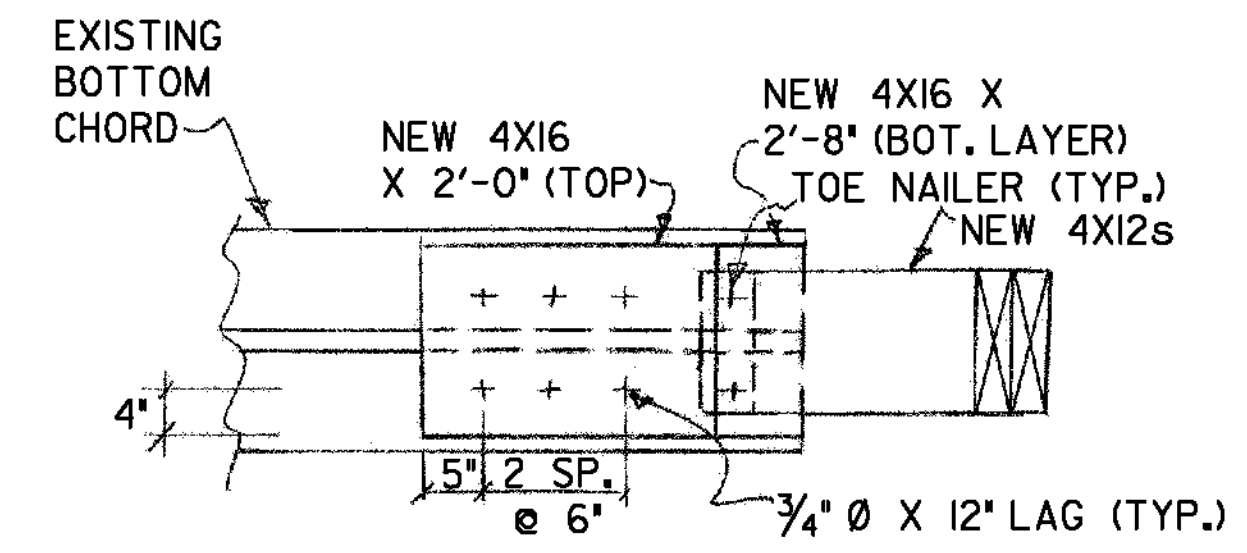
NEW CENTER KING POST
3/4" = 1'-0"



NEW KING POST
3/4" = 1'-0"

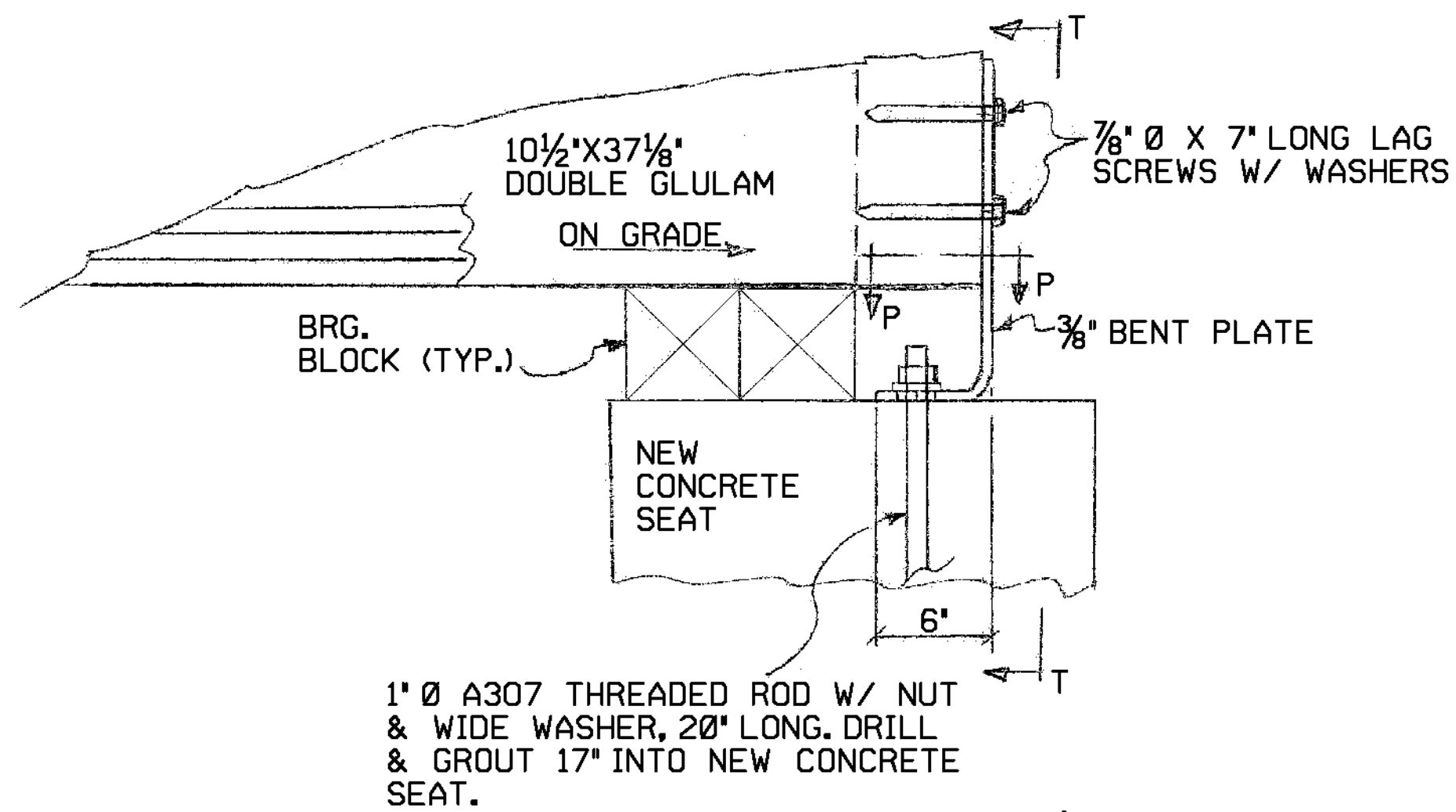


SECTION B-B #
3/4" = 1'-0" *HEAD ON 3X12 SIDE



SECTION A-A #
3/4" = 1'-0"

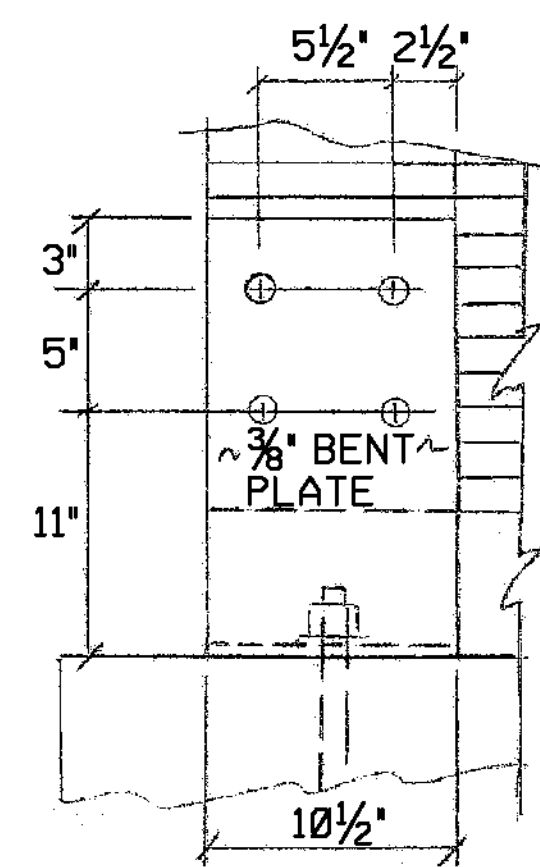
SEE SHEET 16 OF 27 (TRUSS ELEVATION (DOWNSTREAM) WEST END) FOR FURTHER DETAILS.



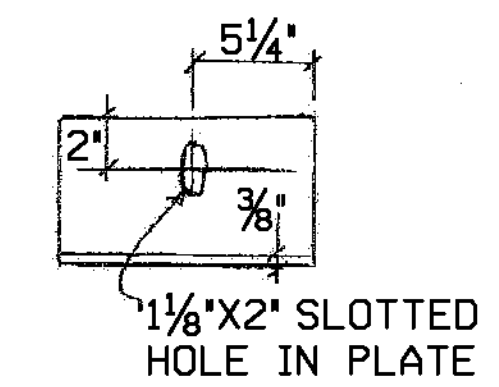
1" Ø A307 THREADED ROD W/ NUT & WIDE WASHER, 20" LONG. DRILL & GROUT 17" INTO NEW CONCRETE SEAT.

BEARING ELEVATION*
1 1/2" = 1'-0"

*OUTSIDE VIEW, DETAILS SIMILAR @ ALL LOCATIONS



SECTION T-T
1 1/2" = 1'-0"



SECTION P-P
1 1/2" = 1'-0"

PROJECT NAME: RANDOLPH	PROJECT NUMBER: BHO 1444(53)
FILE NAME: RandolphDetails.dgn	PROJECT LEADER: M. Sargent
DESIGNED BY: J. Weaver	CHECKED BY: M. Sargent
MISCELLANEOUS DETAILS	PROJECT DATE: 09-NOV-2010
	DRAWN BY: C. Weeber
	CHECKED BY: M. Sargent
	SHEET 18 OF 27