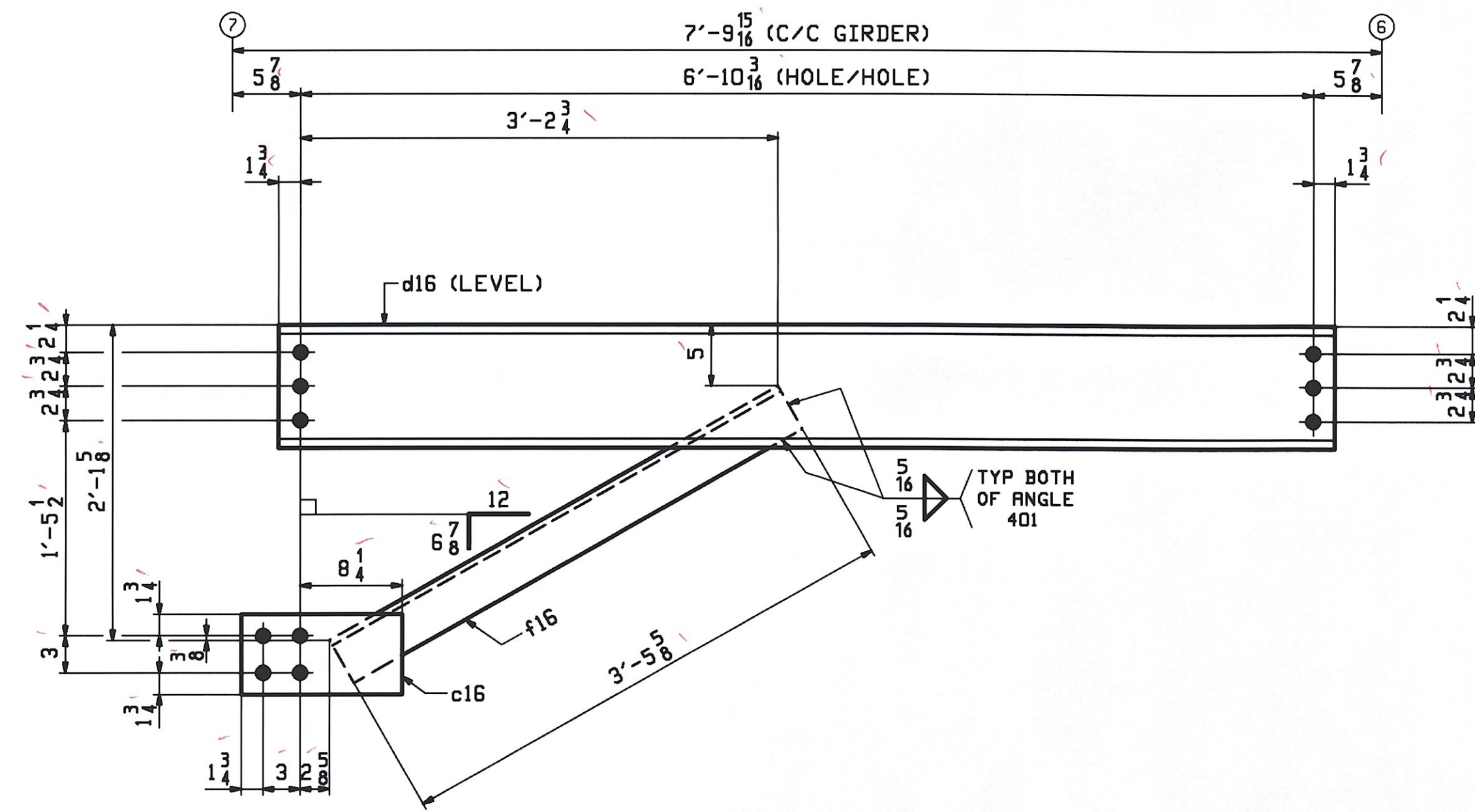


13 - CROSSFAMES - 16CF1



ONE - CROSSFRAME - 16CF2

ABM INFO		SHIP		BILL OF MATERIAL				JOB NO.	DRAWING NO.	REV.
								406-1	16	
PAGE	LINE	MARK	QTY	MARK	MATERIAL	LENGTH	REMARKS	WT	PROCUREMENT	
						FT INCHES			NOTES	
		16CF1	13		CROSSFRAME				338	
3	J		13	a16	MC 10x41.1	7 1 1/4				
3	K		13	b16	L 4x4x 3/8	3 5 3/8				
3	L		13	c16	PL 2x6 1/2	1 1				
		16CF2	1		CROSSFRAME				338	
3	L		1	c16	PL 2x6 1/2	1 1				
3	J		1	d16	MC 10x41.1	7 1 1/8				
3	K		1	f16	L 4x4x 3/8	3 5 3/8				

NOTES:
FOR GENERAL NOTES SEE DRAWING GNI.

REV.	DATE	REMARKS	DWN	CHK	APVL	SHOP
0						
MATERIAL:		SURFACE PREP. & PAINT:		HOLES:		SHOP BOLTS:
M270-50W (UN)		SEE GNI		5/16" U.N.		NONE
DESCRIPTION: CROSSFRAMES						
CASCO BAY STEEL STRUCTURES, INC.						
75 SPRING HILL ROAD			SACO, MAINE 04072			
PHONE (207) 282-7360			FAX. (207) 282-1179			
STRUCTURE: VT 11 OVER BLACK RIVER					DRAWN:	DATE:
BRIDGE NO. 64					WJF	06/15
SPRINGFIELD, VERMONT					CHKD:	DATE:
COUNTY OF WINDSOR					DO	06/24
LOCATION: TOWN OF SPRINGFIELD					JOB NO.	DWG NO.
PROJ NO. BHF 016-2(14)					406-1	16
CUSTOMER: COLD RIVER BRIDGES, LLC						REV. Δ

RECEIVED
 JUN 26 2009
 BY CWC DATE 7-13-09