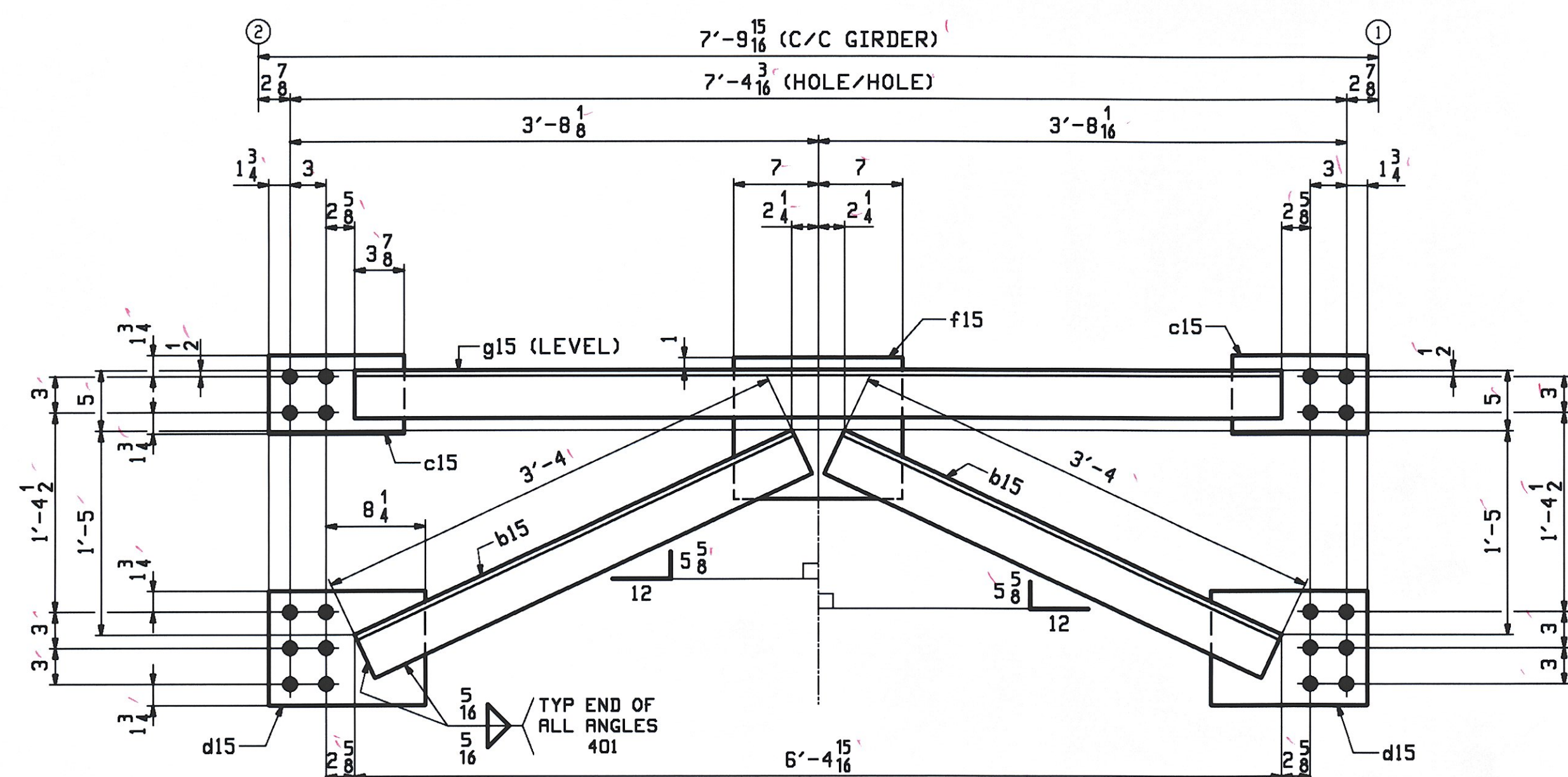


13 - CROSSFRAMES - 15CF1



ONE - CROSSFRAME - 15CF2

ABM INFO		SHIP		BILL OF MATERIAL			JOB NO.	DRAWING NO.	REV.
							406-1	15	
PAGE	LINE	MARK	QTY	MARK	MATERIAL	LENGTH FT INCHES	REMARKS	MT	PROCUREMENT NOTES
		15CF1	13		CROSSFRAME				206
3	B		13	a15	L 4x4x3/8	6 5			
3	C		26	b15	L 4x4x3/8	3 4			
3	D		26	c15	PL 1/2x6 1/2	0 11 4			
3	E		26	d15	PL 1/2x9 1/2	1 1			
3	F		13	f15	PL 1/2x11 1/4	1 2			
		15CF2	1		CROSSFRAME				206
3	C		2	b15	L 4x4x3/8	3 4			
3	D		2	c15	PL 1/2x6 1/2	0 11 4			
3	E		2	d15	PL 1/2x9 1/2	1 1			
3	F		1	f15	PL 1/2x11 1/4	1 2			
3	B		1	g15	L 4x4x3/8	6 4 1/16			

NOTES:
FOR GENERAL NOTES SEE DRAWING GNI.

REV.	DATE	REMARKS	DWN	CHK	APVL	SHOP
0						
MATERIAL:		SURFACE PREP. & PAINT:		HOLES:		SHOP BOLTS:
M270-50W (UN)		SEE GNI		15/16" Ø U.N.		NONE
DESCRIPTION: CROSSFRAMES						
CASCO BAY STEEL STRUCTURES, INC.						
75 SPRING HILL ROAD			SACO, MAINE 04072			
PHONE (207) 282-7360			FAX. (207) 282-1179			
STRUCTURE: VT 11 OVER BLACK RIVER			DRAWN:		DATE:	
BRIDGE NO. 64			WJF		06/12	
SPRINGFIELD, VERMONT			CHKD:		DATE:	
COUNTY OF WINDSOR			DO		06/24	
LOCATION: TOWN OF SPRINGFIELD			JOB NO.		DNG NO.	
PROJ NO. BHF 016-2(14)			406-1		15	
CUSTOMER: COLD RIVER BRIDGES, LLC					REV. <input type="checkbox"/>	

RECEIVED
OK'D BY DRP OK'D BY *one*
JUN 26 2009
REQUEST APPROVED
BY *one* DATE 7.13.09