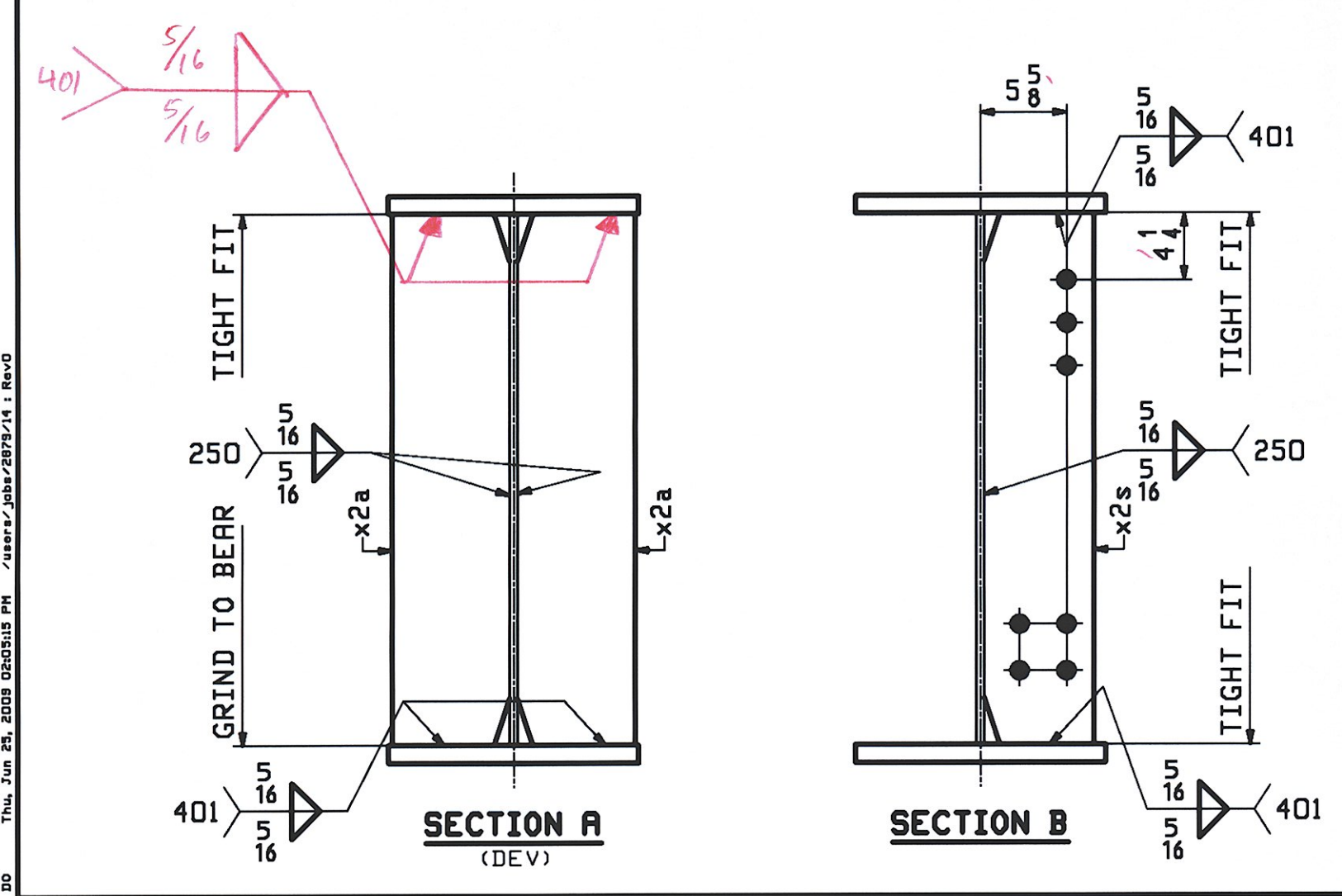
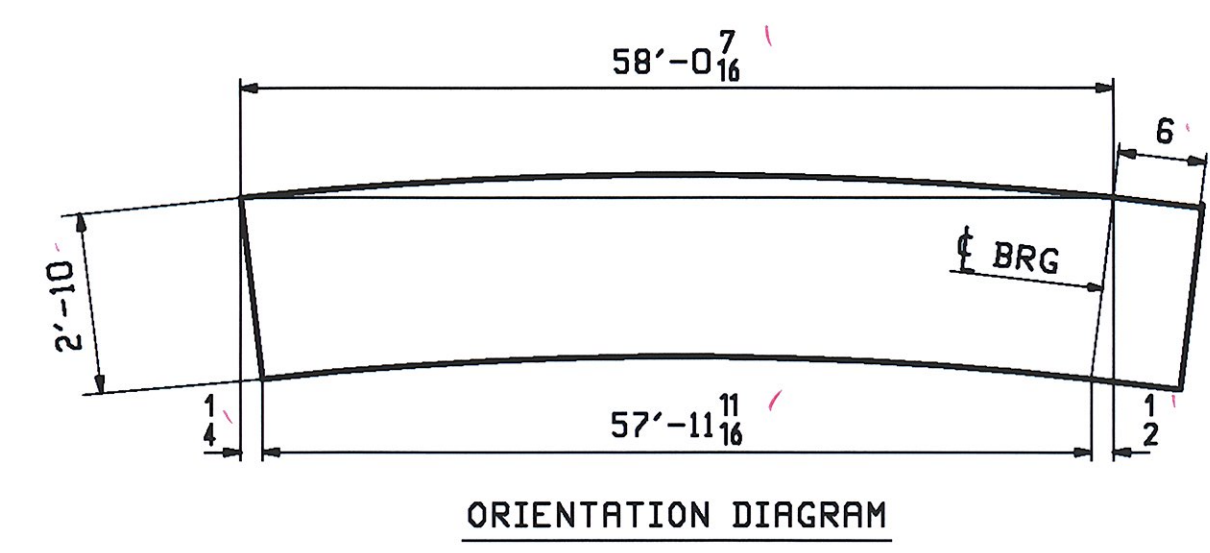
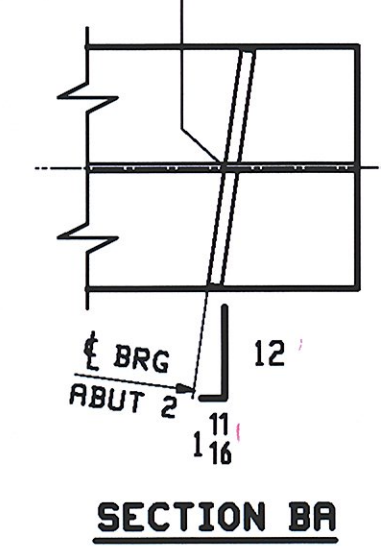


**ONE - GIRDER - 14G7B**

FOR FIELD SPLICE & STANDARD DETAILS SEE X SHEETS  
 FOR CAMBER & FLANGE DIAGRAM SEE SHEET C2  
 FOR GENERAL NOTES SEE SHEET GNI



ABM INFO		BILL OF MATERIAL				JOB NO.	DRAWING NO.	REV.
14G7B						406-1	14	
PAGE	LINE	MARK	QTY	MARK	MATERIAL	LENGTH FT INCHES	REMARKS	PROCUREMENT NOTES
					GIRDER			10848
1	G		1	wa	PL 1/2 x 34	58 6 7/16	M270-50MT2 (H2-3)	
1	A		1	ta	PL 1/8 x 16	58 6 7/16	M270-50MT2 (H2-3)	
1	A		1	ba	PL 1/8 x 16	58 5 1/16	M270-50MT2 (H2-3)	
2	G		2	x2a	PL 7/8 x 7 1/2	2 10	MIE BEV	
2	H		5	x2s	PL 1/2 x 7	2 10		

RECEIVED  
 JUN 26 2009  
 APPROVED AS NOTED  
 DATE 7-13-09

REV.	DATE	REMARKS	DWN	CHK	APVL	SHOP
0						
MATERIAL:		SURFACE PREP. & PAINT:	HOLES:		SHOP BOLTS:	
M270-50W (UN)		SEE GNI	5/16" U.N.		NONE	
DESCRIPTION: GIRDER - 14G7B						
CASCO BAY STEEL STRUCTURES, INC. 75 SPRING HILL ROAD SACO, MAINE 04072 PHONE (207) 282-7360 FAX. (207) 282-1179						
STRUCTURE: VT 11 OVER BLACK RIVER BRIDGE NO. 64 SPRINGFIELD, VERMONT COUNTY OF WINDSOR				DRAWN: WJF	DATE: 06/12	
LOCATION: TOWN OF SPRINGFIELD				CHKD: DO	DATE: 06/23	
PROJ NO. BHF 016-2(14)		JOB NO. 406-1		DWG NO. 14		REV. 14
CUSTOMER: COLD RIVER BRIDGES, LLC						